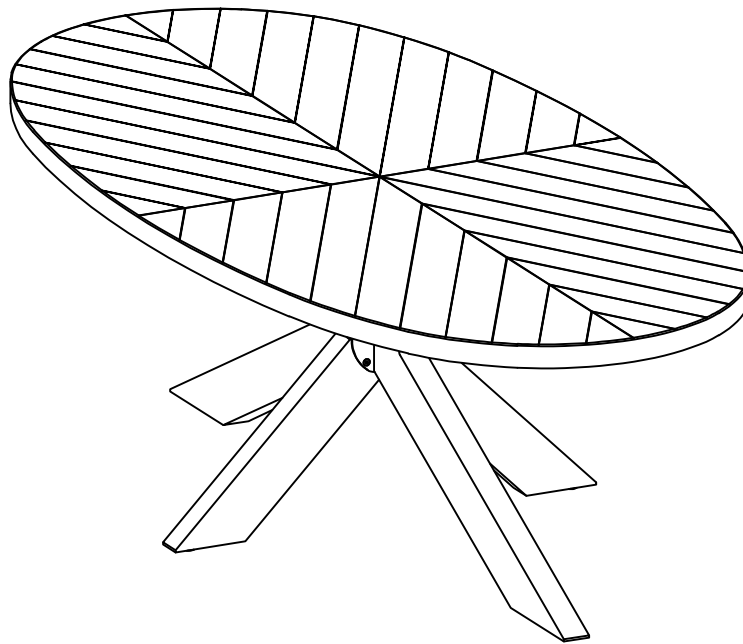


8 SEATER DINING TABLE

Stock number: 401X-6W

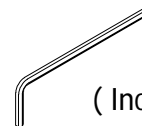
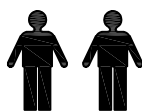
Thank you for purchasing this product. Please read the instructions carefully before use to ensure safe and satisfactory operation of this product.



Pre-assembly preparation

Please ensure instructions are read in full before attempting to assemble this product.

Necessary Tools :



(Included)

Please check the pack contents before attempting to assemble this product. A full checklist of components is given in this leaflet. If any components are missing, please contact the retailer from whom you bought this product.

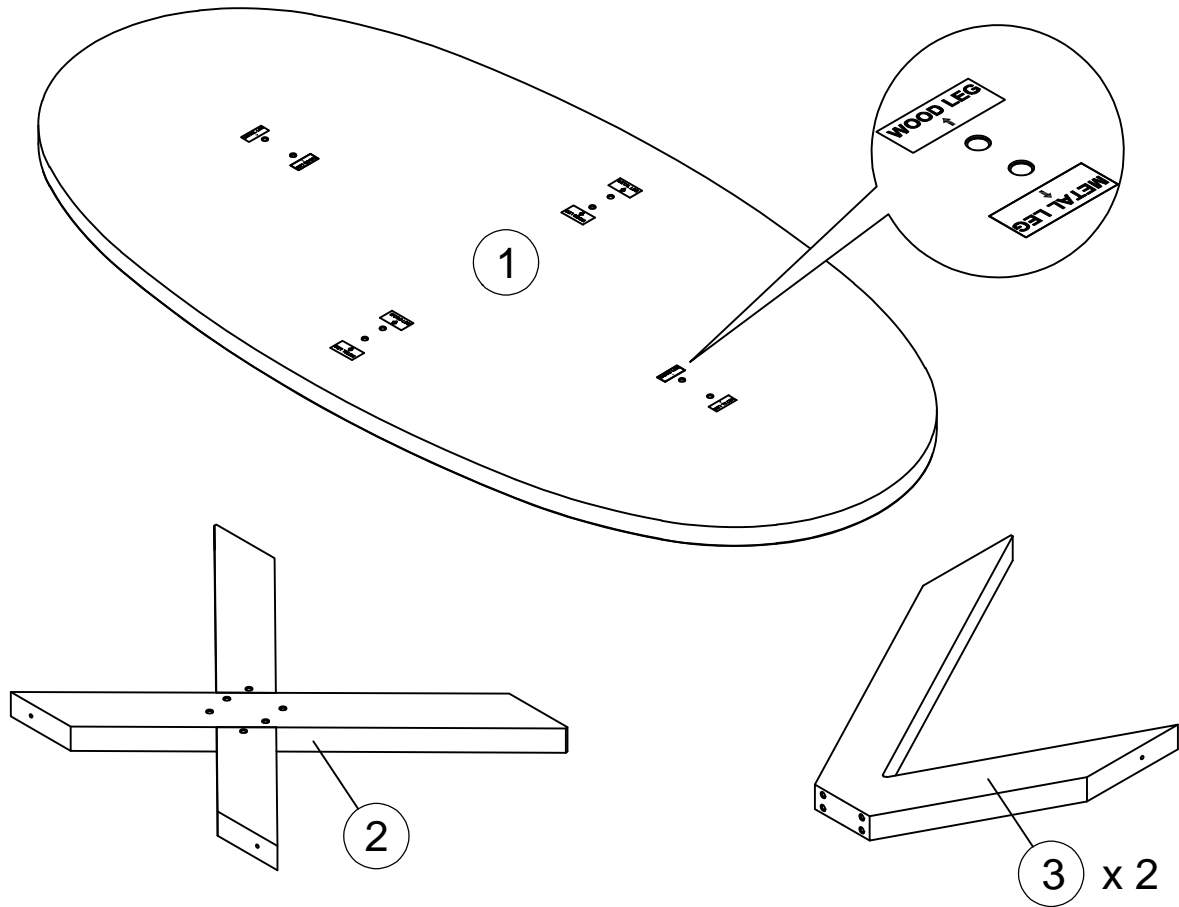
This product takes approximately **20 MINUTES** to assemble with **2 PEOPLE**.

All assembly should be performed on a flat, stable, clean and soft surface.

This product is **HEAVY**, it should be assembled as near as possible to the point of use. **TAKE CARE WHEN LIFTING** to avoid personal injury and (or) damage to the product

The fitting pack contains **SMALL ITEMS** which should be **KEPT AWAY FROM YOUNG CHILDREN**.

IMPORTANT: Retain these instructions for future reference.



Fittings and parts checklist

Item	Description	Qty.	Item	Description	Qty.
1	Table top	x 1	3	Wooden Leg B	x 2
2	Wooden Leg A	x 1			
A	Countersunk bolt M8x30mm	x 20	E	Flat washer Ø8 x Ø17 x 1.6mm	x 4
B	Metal Plate	x 2	F	Allen key M5x30x110mm	x 1
C	Hex head bolt M8x65mm	x 4	G	Allen key M4x30x110mm	x 1
D	Lock washer Ø8.4 x 2mm	x 4			

Step By Step Assembly Instructions

Step 1

1.1 : Lay all parts on a flat, stable, clean and soft surface.

1.2 : Attach metal plates (B) onto wooden legs B (3) using 8x countersunk bolts (A) as shown.

Ensure the pre-drilled holes on wooden legs B (3) are aligned correctly to the holes on metal plates (B). Use an allen key (F) to turn fittings (A) clockwise to fix.

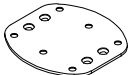
1.3 : Attach wooden legs B (3) onto wooden leg A (2) using 12x countersunk bolts (A) as shown.

Ensure the pre-drilled holes on wooden legs B (3) are aligned correctly to the holes on wooden leg A (2). Use an allen key (F) to turn fittings (A) clockwise to fix. Do not tightening.

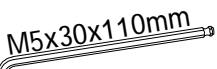
Fitting



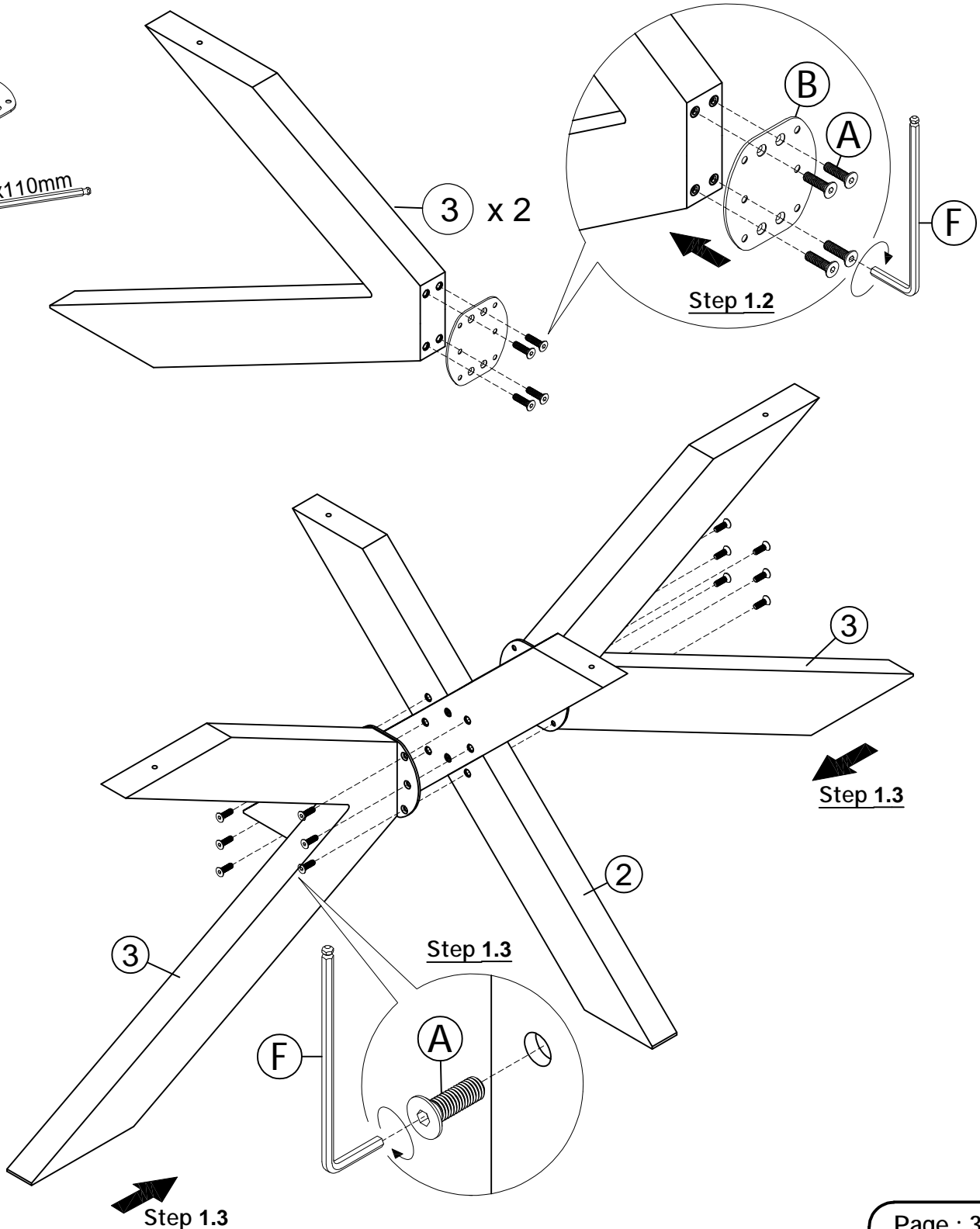
A x 20



B x 2



M5x30x110mm
F x 1



Step By Step Assembly Instructions

- Step 2**
- 2.1 : Attach the structure assembled in Step 1 onto table top (1) as shown. Ensure the pre-drilled holes on wooden leg A (2) and wooden legs B (3) are aligned correctly to the holes on table top (1) before attaching.
- 2.2 : Secure wooden leg A (2) and wooden legs B (3) to the holes stick label "WOOD LEG" onto table top (1) using 4x hex head bolts (C), 4x lock washers (D) and 4x flat washers (E) as shown. Use an allen key (G) to turn fittings (C) clockwise to fix.
- Note : Position all bolts (C) on all wooden legs before full tightening.
- 2.3 : Re-tightening.
- 2.4 : Stand the unit upright.



C x 4



D x 4



E x 4

M5x30x110mm

F x 1

M4x30x110mm

G x 1

