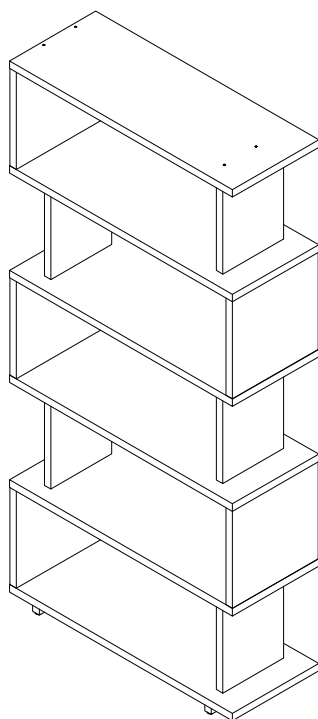


OPEN DISPLAY UNIT

Stock number: 9199-27

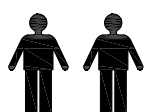
Thank you for purchasing this product. Please read the instructions carefully before use to ensure safe and satisfactory assembly of this product.



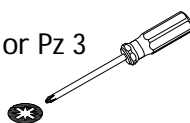
Pre-assembly preparation

Please ensure instructions are read in full before attempting to assemble this product.

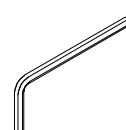
Necessary Tools : Pozi screwdriver



Pz 2 or Pz 3



(Included)



Please check the pack contents before attempting to assemble this product. A full checklist of components is given in this leaflet. If any components are missing, please contact the retailer from whom you bought this product.

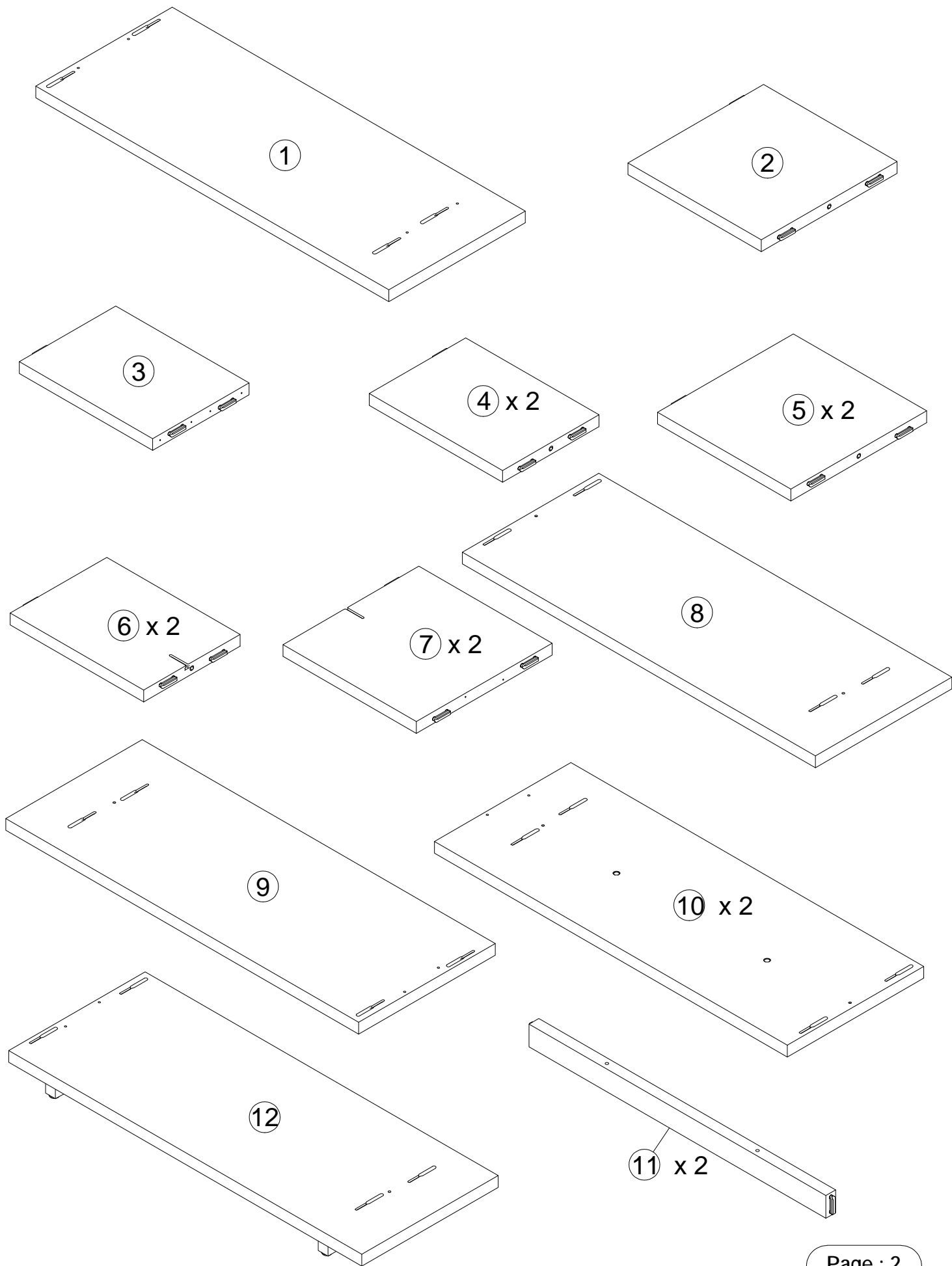
This product takes approximately **30 MINUTES** to assemble with **2 PEOPLE**.

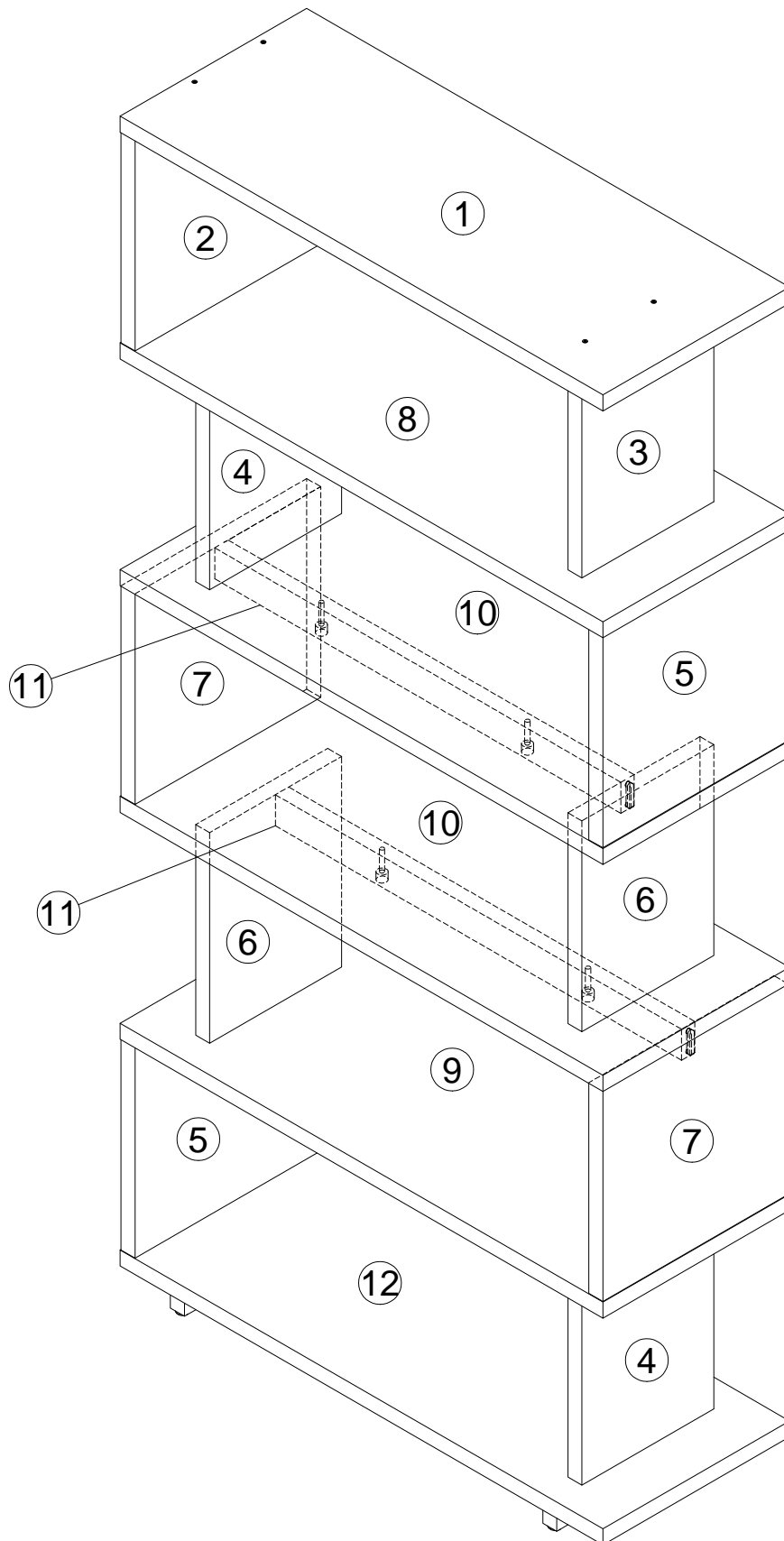
All assembly should be performed on a flat, stable, clean and soft surface.

This product is **HEAVY**, it should be assembled as near as possible to the point of use. **TAKE CARE WHEN LIFTING** to avoid personal injury and (or) damage to the product.

The fitting pack contains **SMALL ITEMS** which should be **KEPT AWAY FROM YOUNG CHILDREN**.



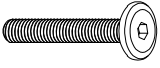
IMPORTANT: Retain these instructions for future reference.





**** Note :** When sliding and locking uprights into the shelves, keep parts aligned perpendicularly to prevent scuffing the top of the shelves.

Fittings and parts checklist

Item	Description	Qty.	Item	Description	Qty.		
1	Top panel	x 1	7	Side panel F	x 2		
2	Side panel A	x 1	8	Fixed shelf A	x 1		
3	Side panel B	x 1	9	Fixed shelf B	x 1		
4	Side panel C	x 2	10	Fixed shelf C	x 2		
5	Side panel D	x 2	11	Support rail	x 2		
6	Side panel E	x 2	12	Bottom frame	x 1		
A	Hi-Lo Screw Ø4 x 50mm		x 12	C	Allen key M4 x 30 x 110mm		x 1
B	Hex head bolt M6 x 55mm		x 4				

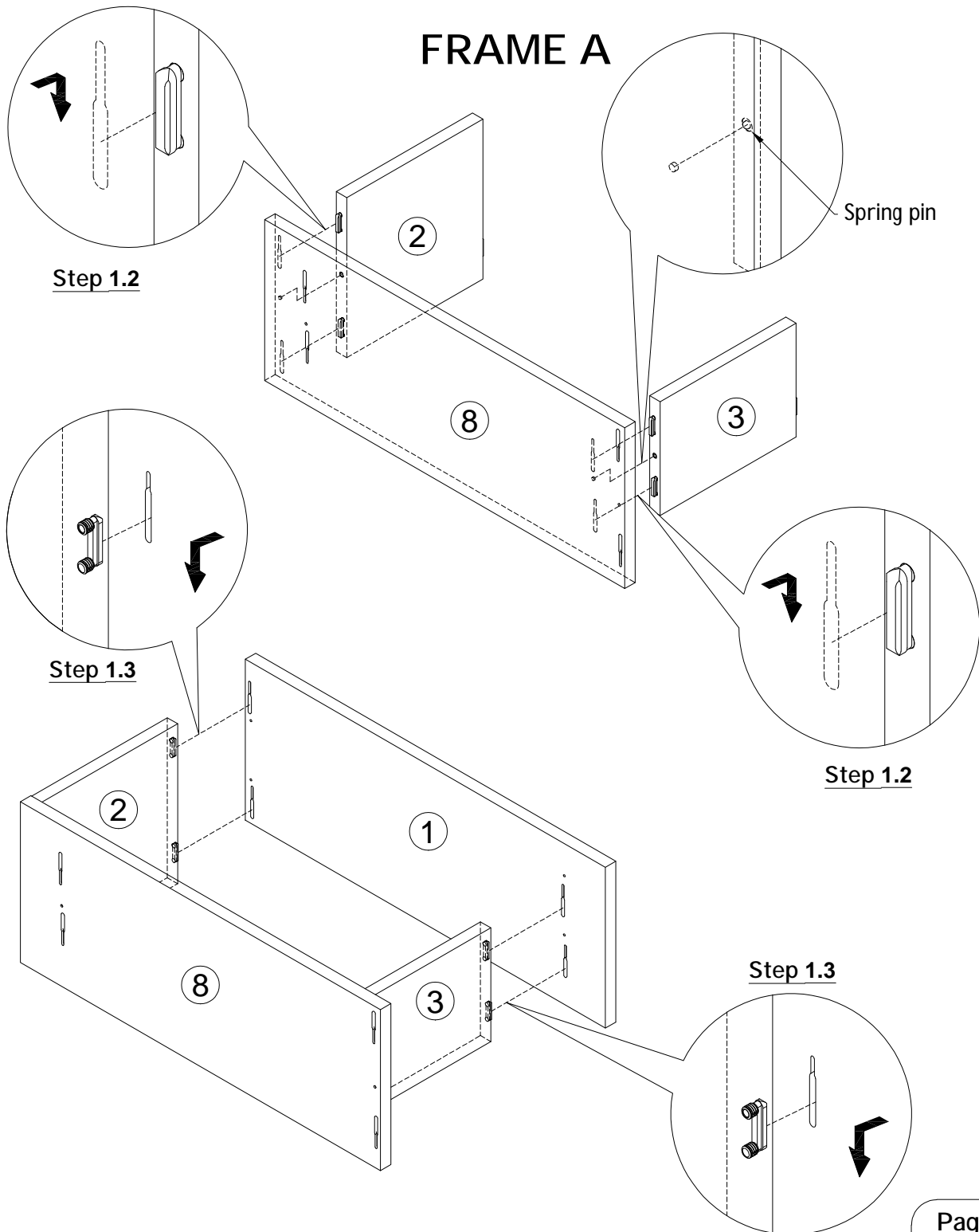
Step by step assembly instructions

Step 1

1.1 : Lay all parts onto a flat, stable, clean and soft surface.

1.2 : Attach fixed shelf A (8) into side panel A (2) and side panel B (3) by inserting dowels into the corresponding slots on the fixed shelf A (8). Push the fixed shelf A (8) downward to lock the dowels in place, as shown. Ensure the holes on fixed shelf A (8) are aligned correctly with the mating spring pins on side panel A (2) and side panel B (3) to avoid damage as shown.

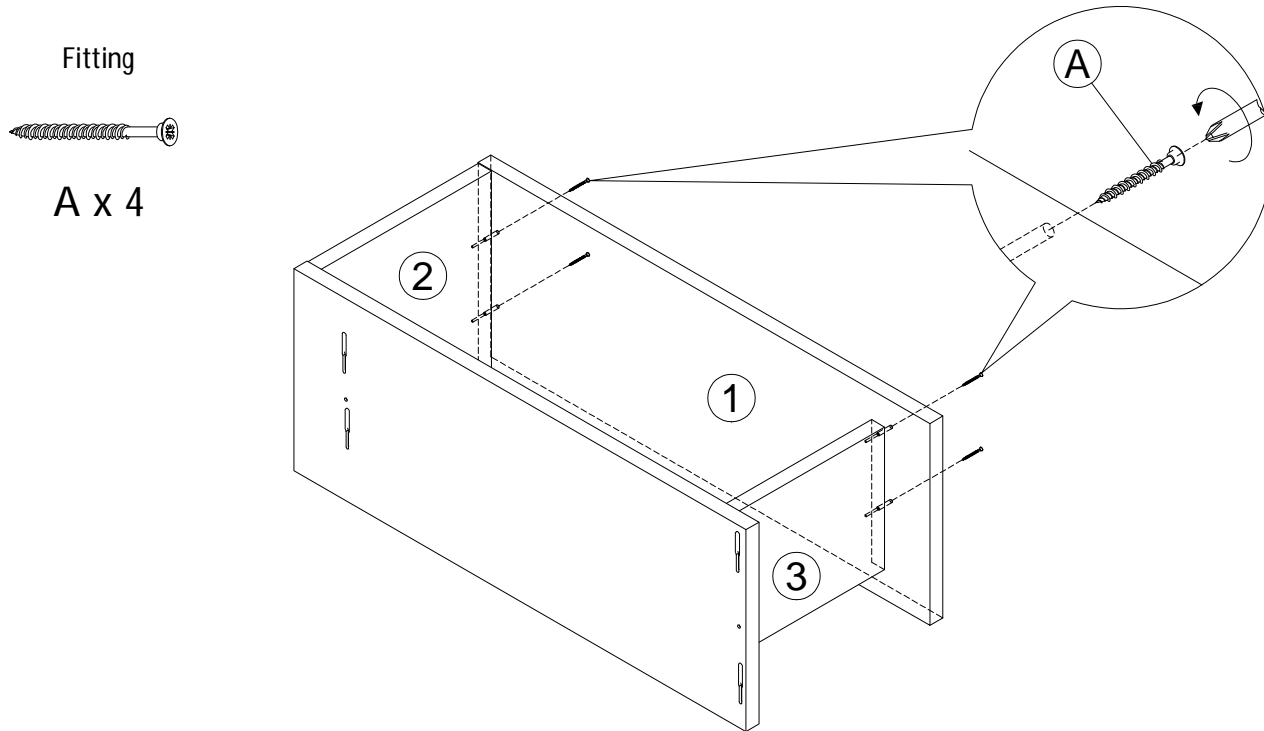
1.3 : Attach top panel (1) into the structure assembled in Step 1.2 by inserting dowels into the corresponding slots on the top panel (1). Push the top panel (1) downward to lock the dowels in place, as shown.



Step by step assembly instructions

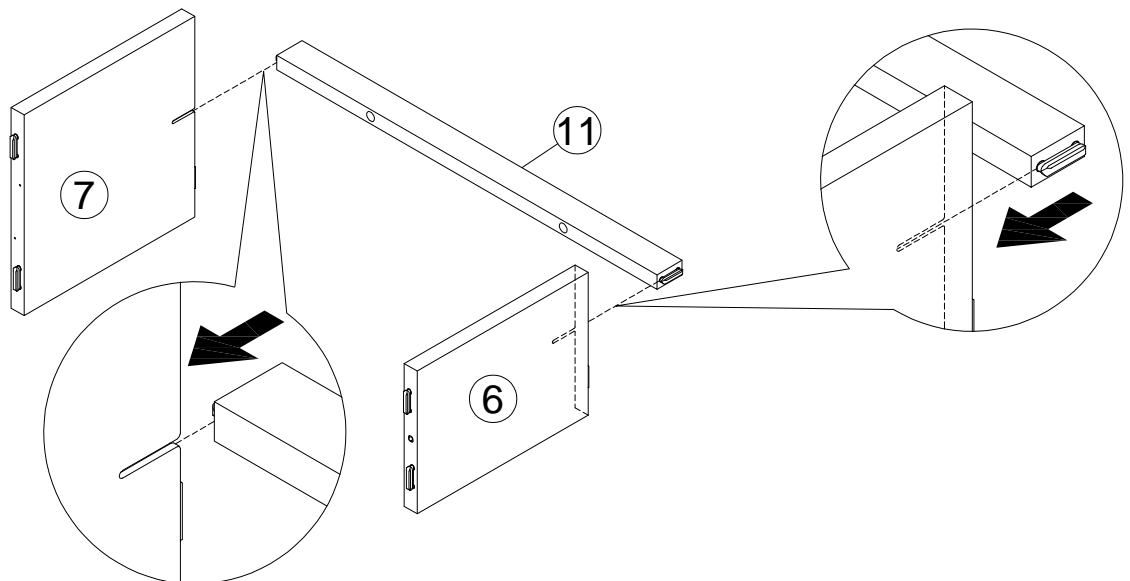
Step 2 Secure top panel (1) to parts (2) & (3) using 4x Hi-Lo screws (A) as shown. Use a pozi screwdriver to turn fittings (A) clockwise fix.

FRAME A



Step 3 Attach 1x support rail (11) into 1x side panel E (6) & 1x side panel F (7) by inserting dowels into the corresponding slots on the side panel E (6) & side panel F (7) as shown.

FRAME B



Step by step assembly instructions

- Step 4** 4.1 : Attach 1x fixed shelf C (10) into the structure assembled in Step 3 by inserting dowels into the corresponding slots on the fixed shelf C (10). Push the fixed shelf C (10) downward to lock the dowels in place, as shown. Ensure the holes on 1x fixed shelf C (10) are aligned correctly with the mating spring pins on side panel E (6) and side panel F (7) to avoid damage as shown.
- 4.2 : Secure 1x support rail (11) to fixed shelf C (10) using 2x hex head bolts (B) as shown. Use allen key (C) to turn the fittings (B) clockwise to fix.
- 4.3 : Attach 1x fixed shelf C (10) into the structure assembled in Step 4.2 by inserting dowels into the corresponding slots on the fixed shelf C (10). Push the fixed shelf C (10) downward to lock the dowels in place, as shown. Ensure the hole on 1x fixed shelf C (10) is aligned correctly with the mating spring pin on side panel E (6) to avoid damage as shown.

Fitting

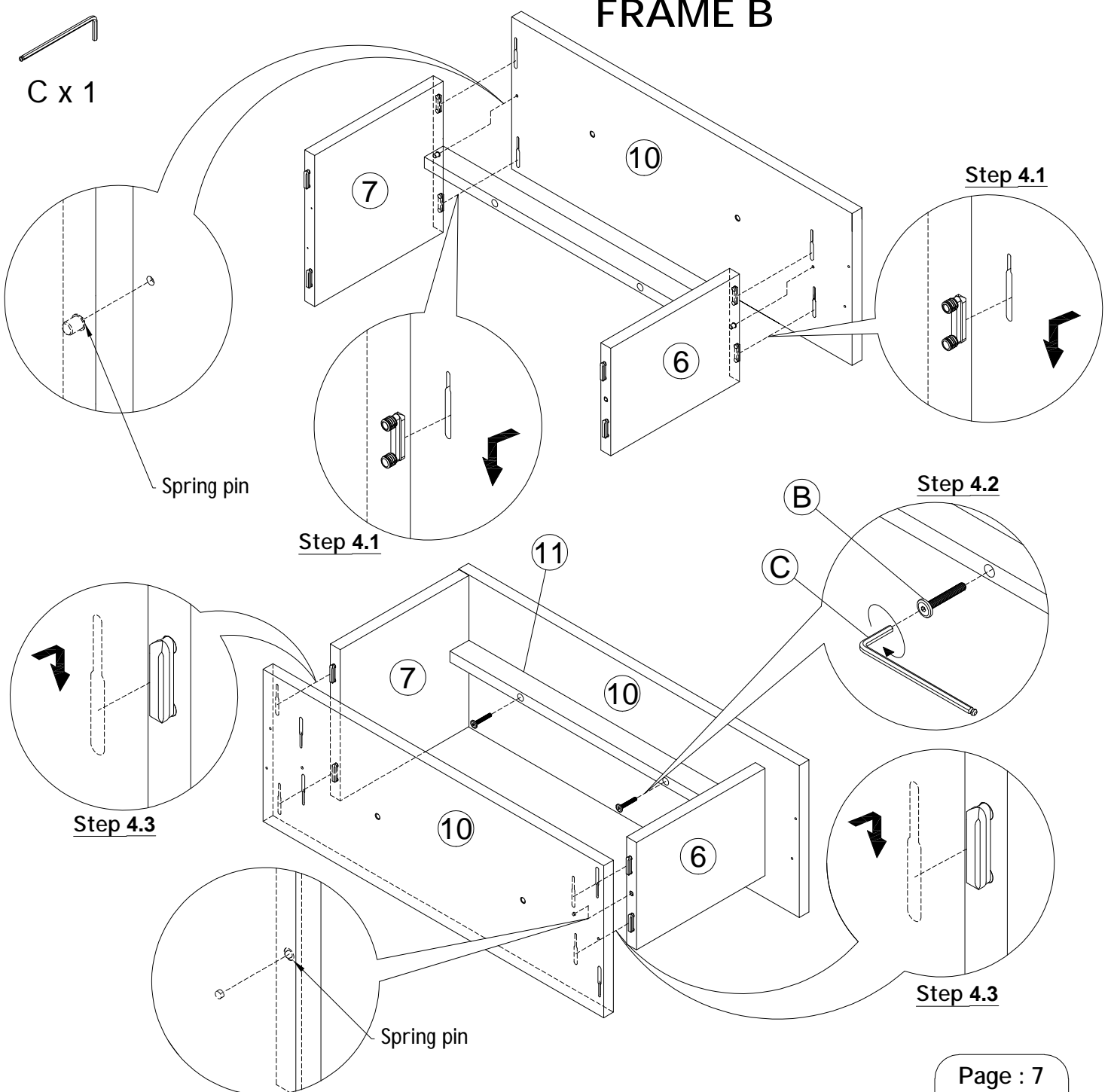


B x 2



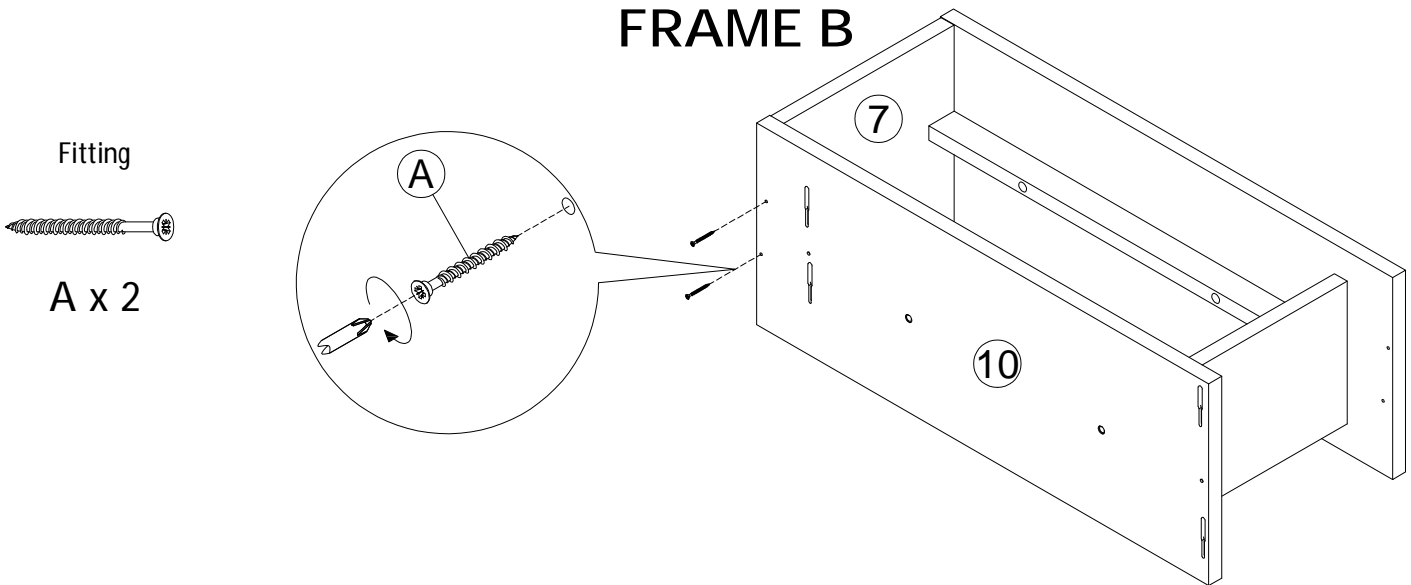
C x 1

FRAME B

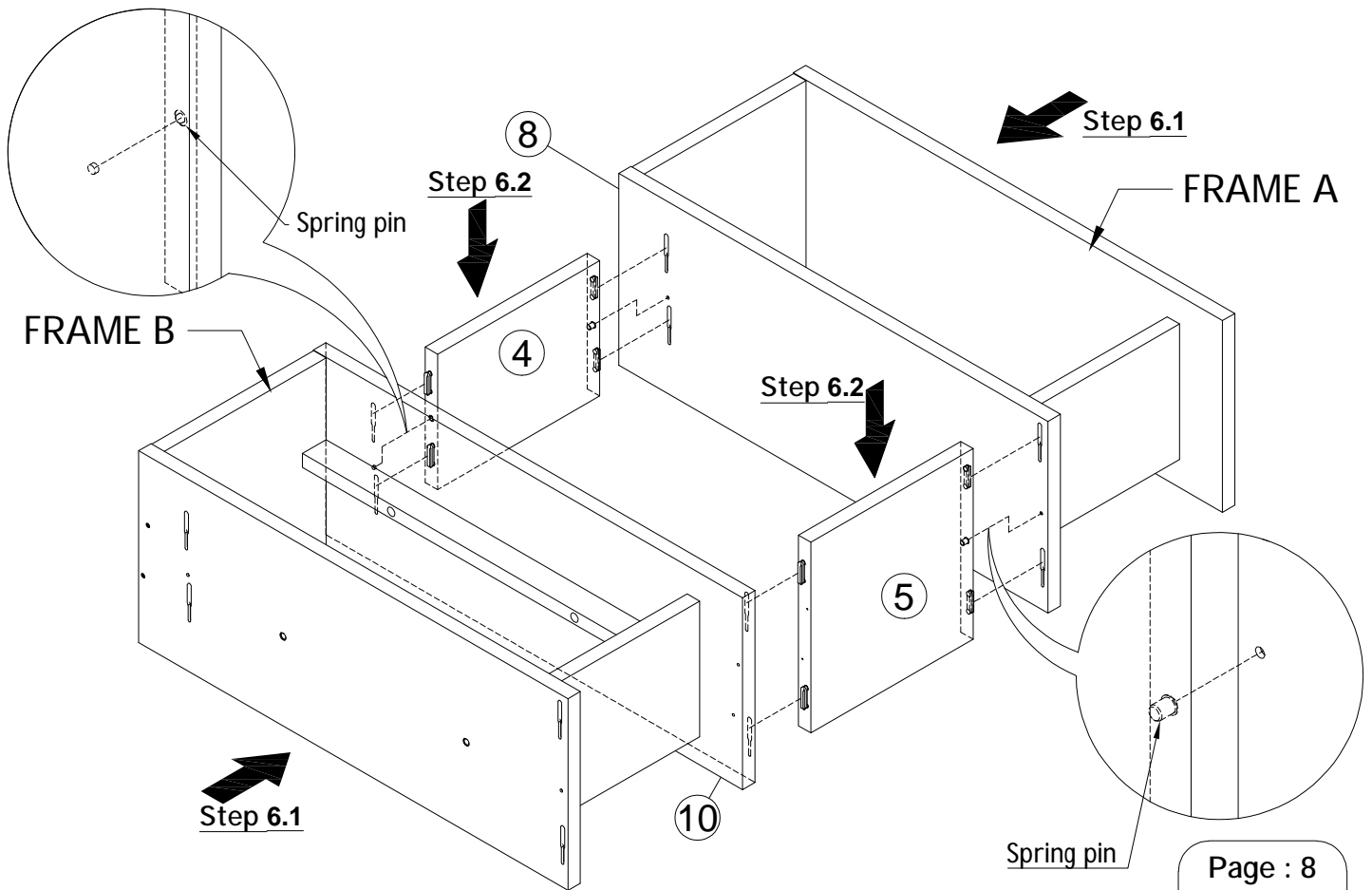


Step by step assembly instructions

Step 5 Secure 1x fixed shelf C (10) to side panel F (7) using 2x Hi-Lo screws (A) as shown. Use a pozi screwdriver to turn fittings (A) clockwise fix.

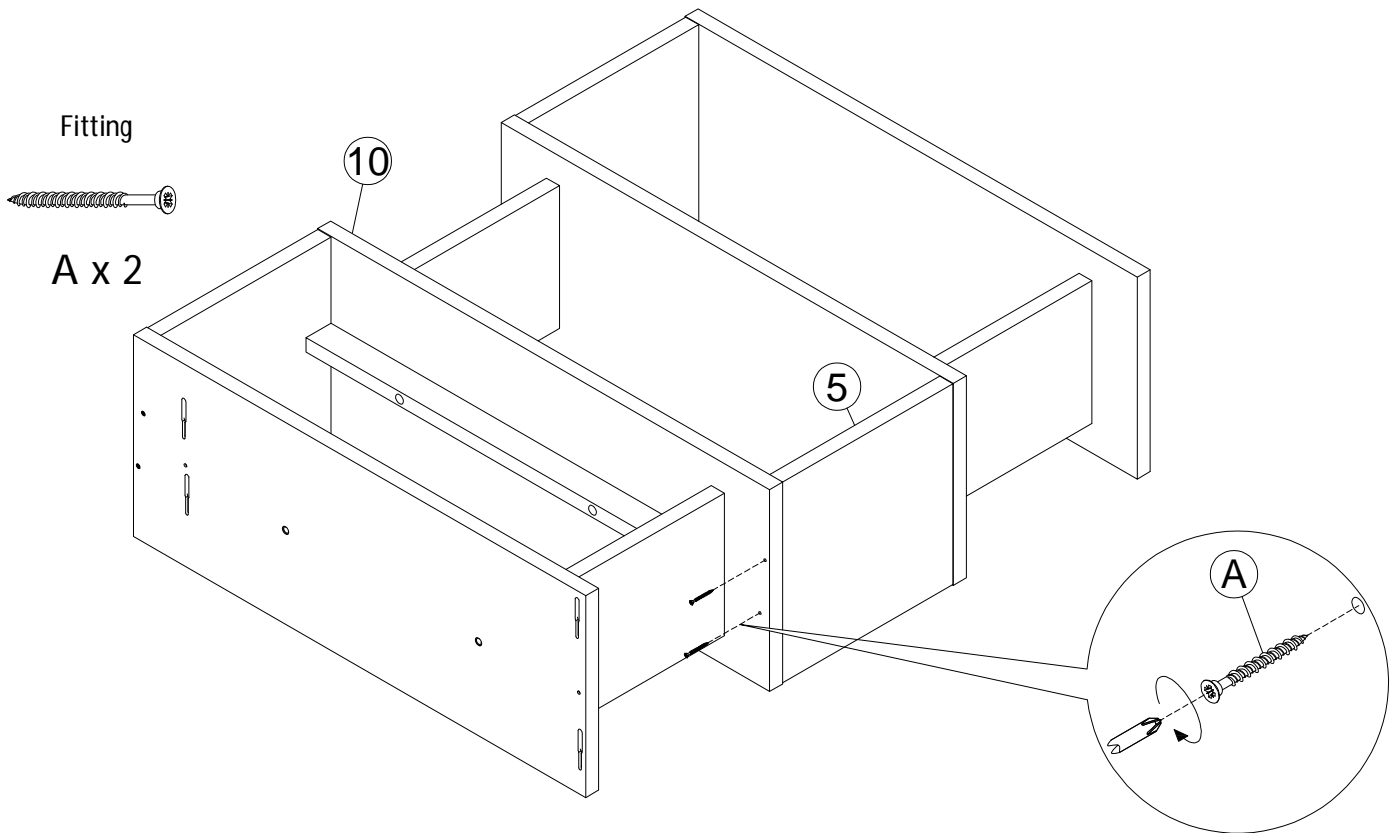


Step 6 6.1 : Attach the structure assembled in Step 2 and the structure assembled in Step 5 into the 1x side panel C (4) and 1x side panel D (5) by inserting dowels into the corresponding slots on the structure assembled in Step 2 & structure assembled in Step 5.
6.2 : Push the to the side panel C (4) and side panel D (5) downward to lock the dowels in place, as shown. Ensure the holes on fixed shelf A (8) and 1x fixed shelf A (10) are aligned correctly with the mating spring pins on 1x side panel C (4) and 1x side panel D (5) to avoid damage as shown.



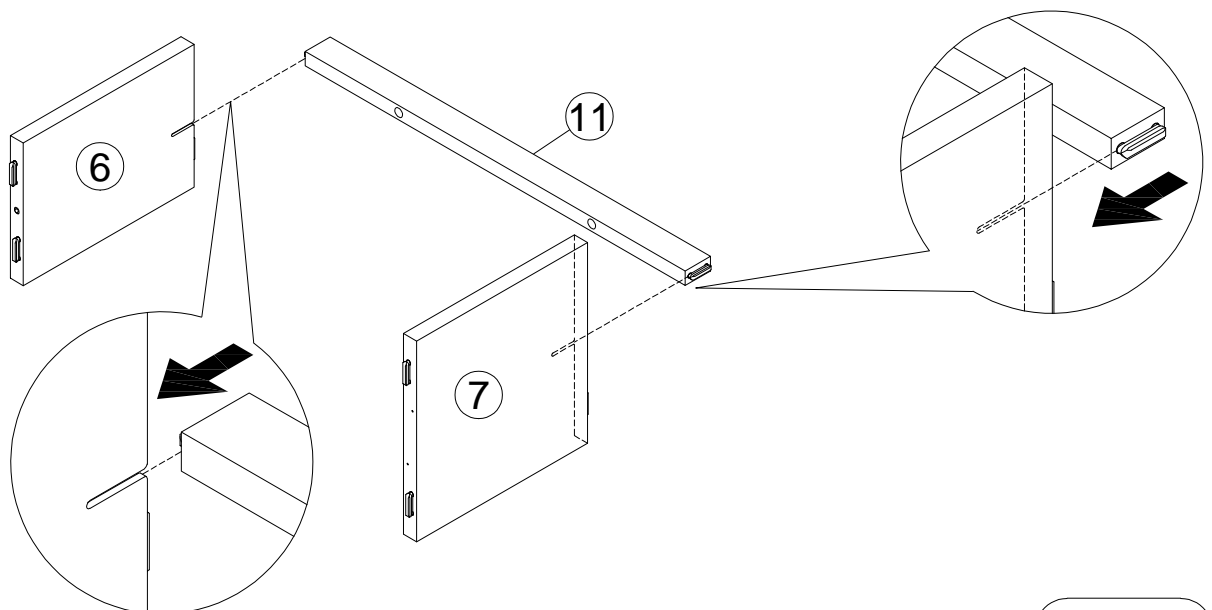
Step by step assembly instructions

Step 7 Secure 1x fixed shelf C (10) to side panel D (5) using 2x Hi-Lo screws (A) as shown. Use a pozi screwdriver to turn fittings (A) clockwise fix.



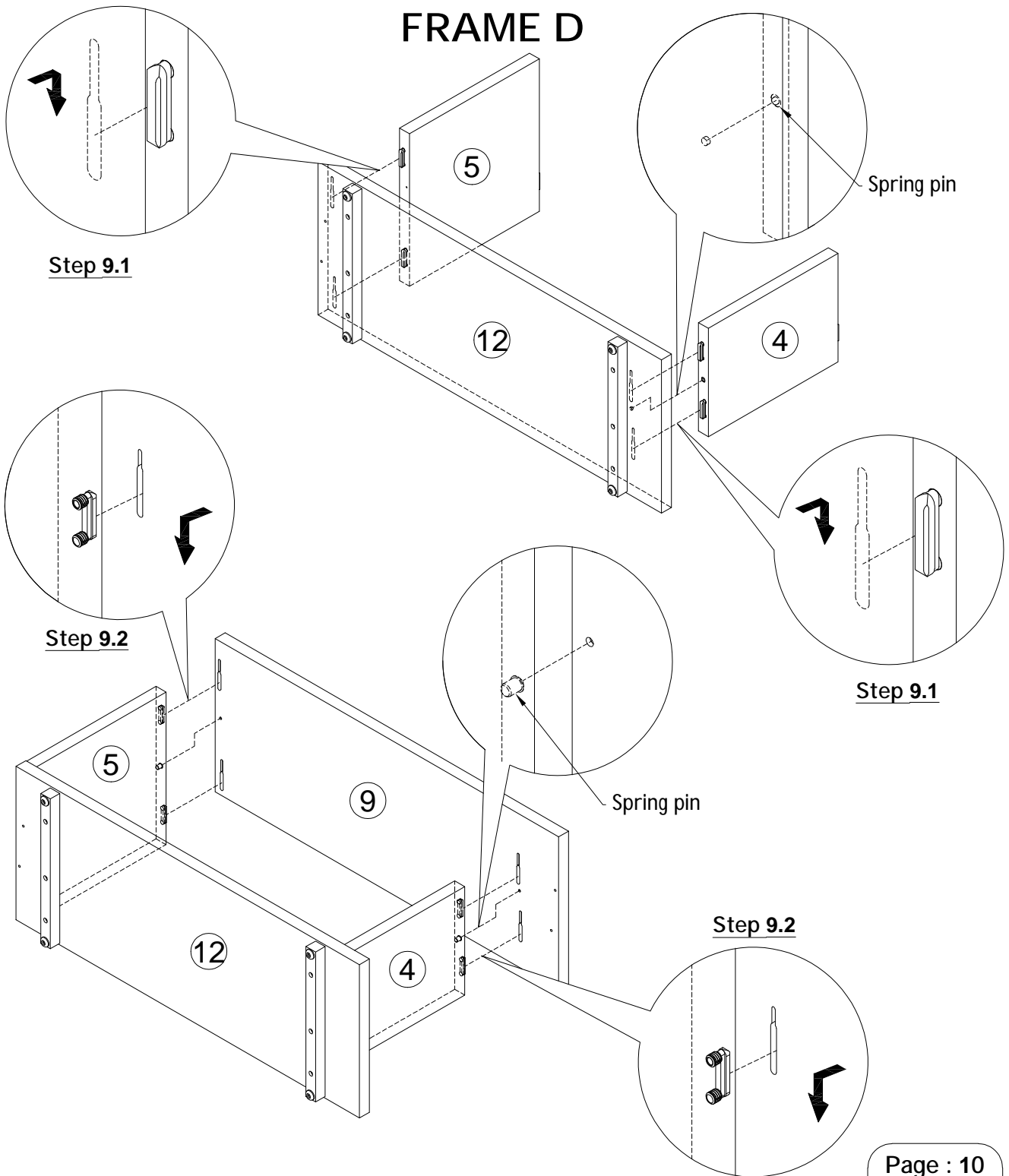
Step 8 Attach 1x support rail (11) into 1x side panel E (6) & 1x side panel F (7) by inserting dowels into the corresponding slots on the side panel E (6) & side panel F (7) as shown.

FRAME C



Step by step assembly instructions

- Step 9** 9.1 : Attach bottom frame (12) into 1x side panel C (4) and 1x side panel D (5) by inserting dowels into the corresponding slots on the bottom frame (12). Push the bottom frame (12) downward to lock the dowels in place, as shown. Ensure the hole on bottom frame (12) is aligned correctly with the mating spring pin on 1x side panel C (4) to avoid damage as shown.
- 9.2 : Attach fixed shelf B (9) into the structure assembled in Step 9.1 by inserting dowels into the corresponding slots on the fixed shelf B (9). Push the fixed shelf B (9) downward to lock the dowels in place, as shown. Ensure the holes on fixed shelf B (9) are aligned correctly with the mating spring pins on 1x side panel C (4) and 1x side panel D (5) to avoid damage as shown.



Step by step assembly instructions

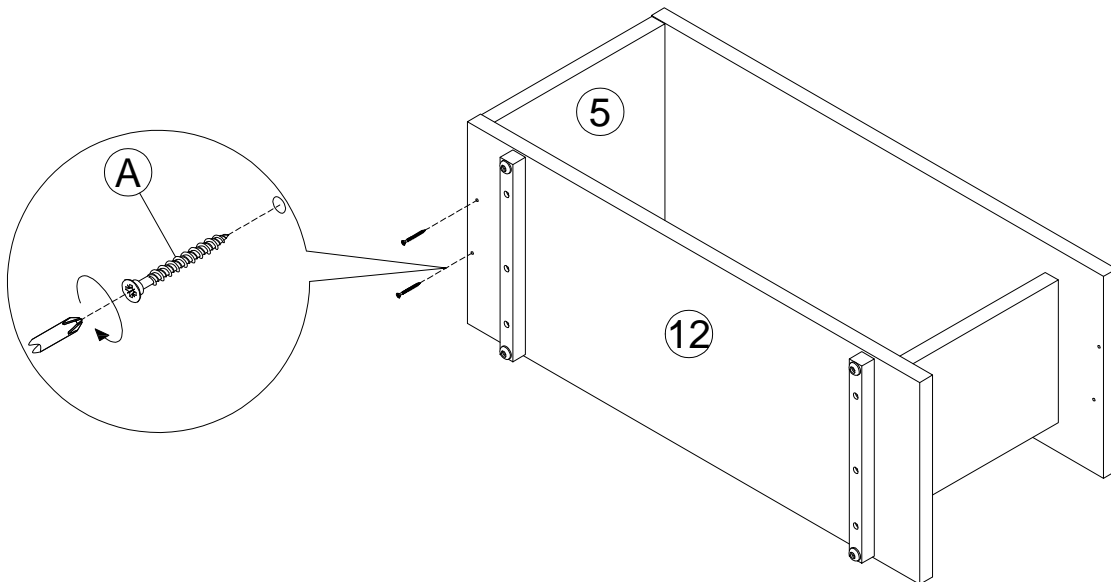
Step 10 Secure bottom frame (12) to side panel D (5) using 2x Hi-Lo screws (A) as shown. Use a pozi screwdriver to turn fittings (A) clockwise fix.

FRAME D

Fitting

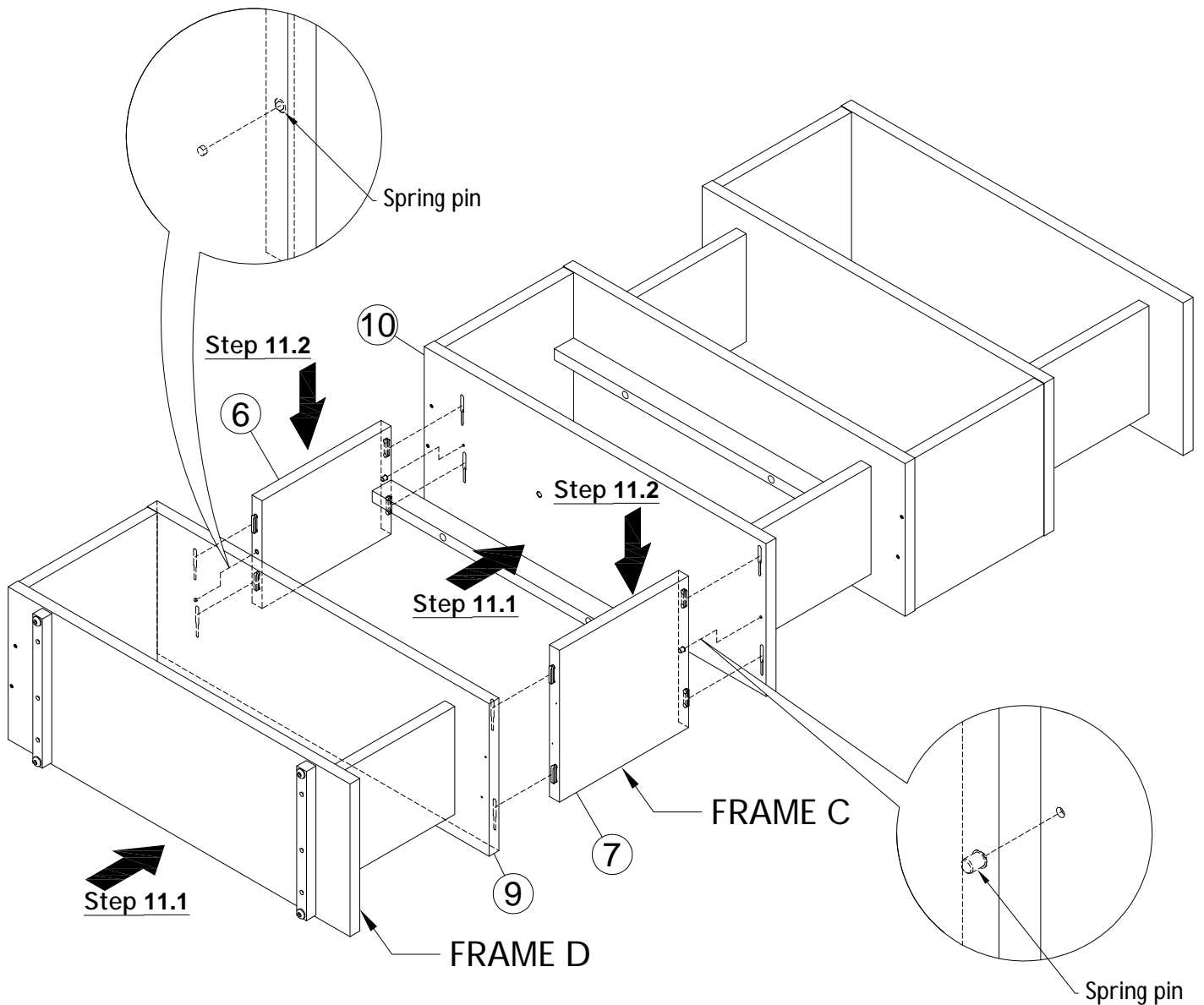


A x 2



Step by step assembly instructions

- Step 11** 11.1 : Attach the structure assembled in Step 8 into the structure assembled in Step 6.2 by inserting dowels into the corresponding slots on the structure assembled in Step 6.2.
Attach the structure assembled in Step 10 into the structure assembled in Step 8 by inserting dowels into the corresponding slots on the structure assembled in Step 10.
- 11.2 : Push the to the structure assembled in Step 8 downward to lock the dowels in place, as shown. Ensure the holes on fixed shelf B (9) and 1x fixed shelf C (10) are aligned correctly with the mating spring pins on 1x side panel E (6) and 1x side panel F (7) to avoid damage as shown.



Step by step assembly instructions

- Step 12**
- 12.1 : Secure 1x support rail (11) to 1x fixed shelf C (10) using 2x hex head bolts (B) as shown. Use allen key (C) to turn the fittings (B) clockwise to fix.
 - 12.2 : Secure 1x fixed shelf B (9) to 1x side panel F (7) using 2x Hi-Lo screws (A) as shown. Use a pozi screwdriver to turn fittings (A) clockwise fix.
 - 12.3 : Stand the unit upright.

