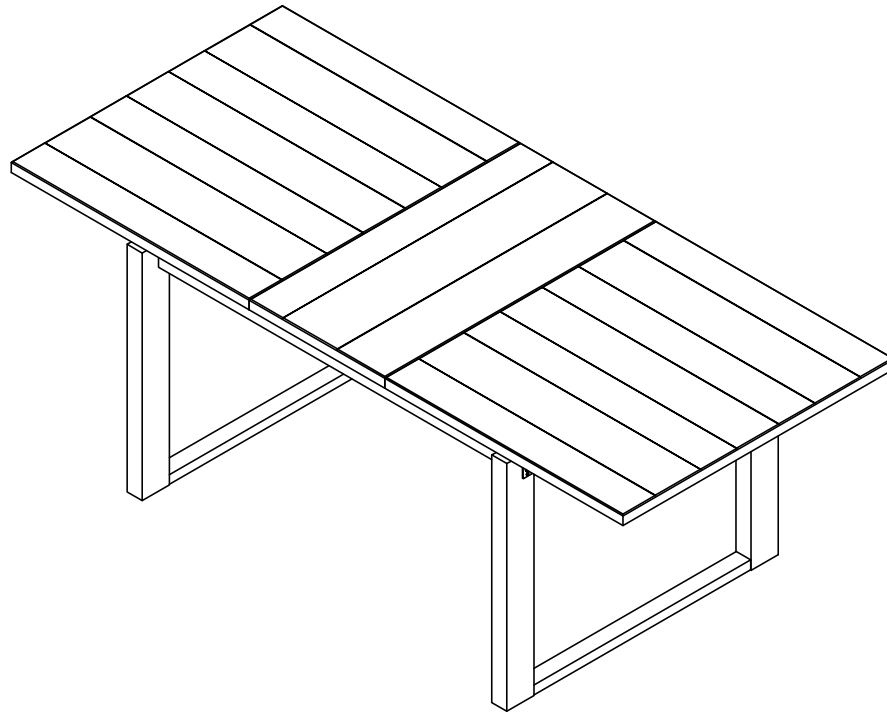


DINING TABLE

Stock number: 9199-X(2,3)/9234-2

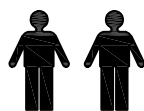
Thank you for purchasing this product. Please read the instructions carefully before use to ensure safe and satisfactory operation of this product.



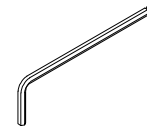
Pre-assembly preparation

Please ensure instructions are read in full before attempting to assemble this product.

Necessary Tools :



(Included)



Please check the pack contents before attempting to assemble this product. A full checklist of components is given in this leaflet. If any components are missing, please contact the retailer from whom you bought this product.

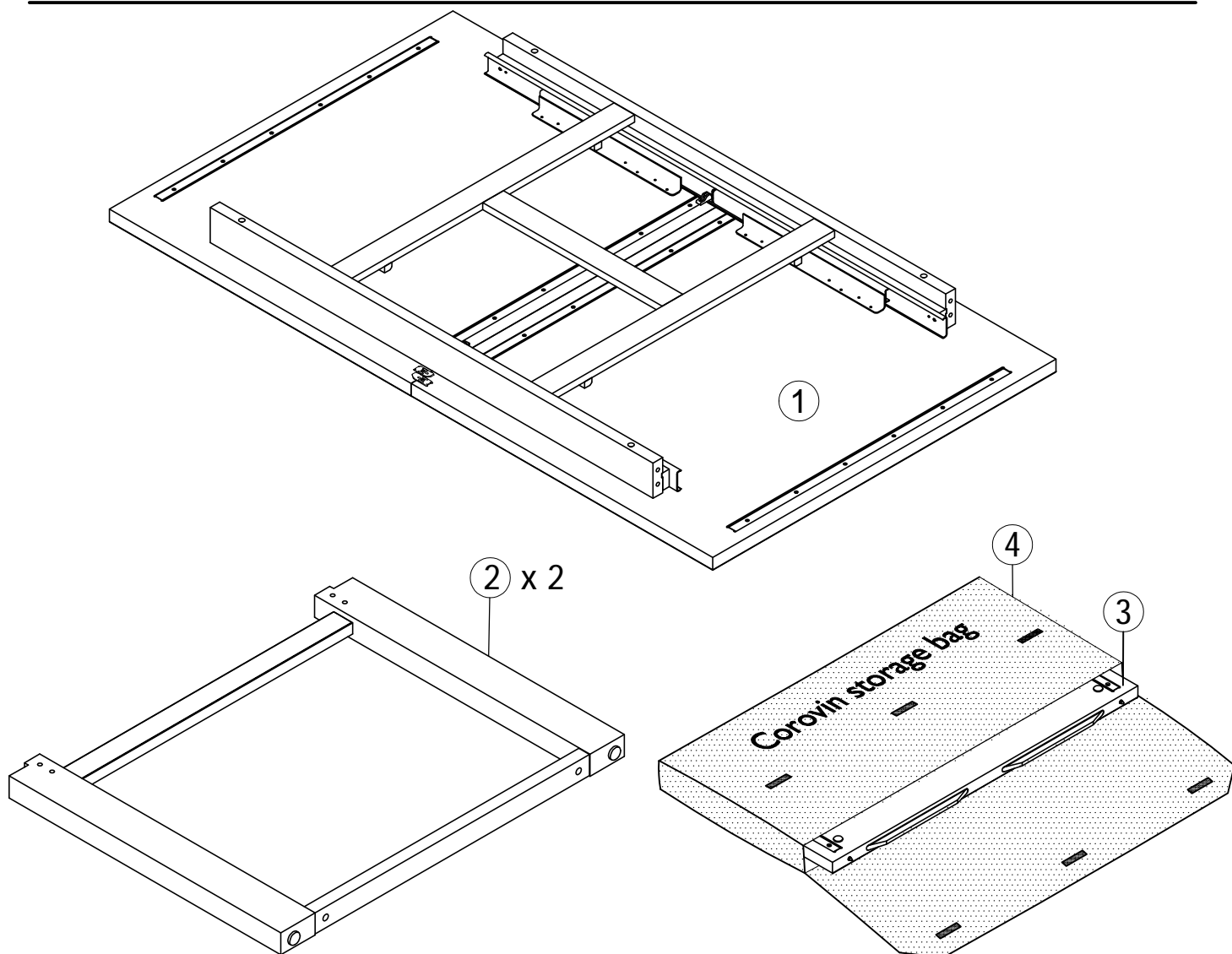
This product takes approximately **30 MINUTES** to assemble with **2 PEOPLE**.

All assembly should be performed on a flat, stable, clean and soft surface.

This product is **HEAVY**, it should be assembled as near as possible to the point of use. **TAKE CARE WHEN LIFTING** to avoid personal injury and (or) damage to the product

The fitting pack contains **SMALL ITEMS** which should be **KEPT AWAY FROM YOUNG CHILDREN**.

IMPORTANT: Retain these instructions for future reference.



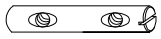
Fittings and parts checklist

Item	Description	Qty.	Item	Description	Qty.
1	Table top	x 1	3	Leaf	x 1
2	Leg frame	x 2	4	Corovin storage bag	x 1
A	Cross dowel Ø12 x 60mm	x 4	C	Allen key M5 x 30 x 110mm	x 1
B	Hex Head Bolt M8 x 140mm	x 8	D	Lock washer Ø8.4 x 2mm	x 8

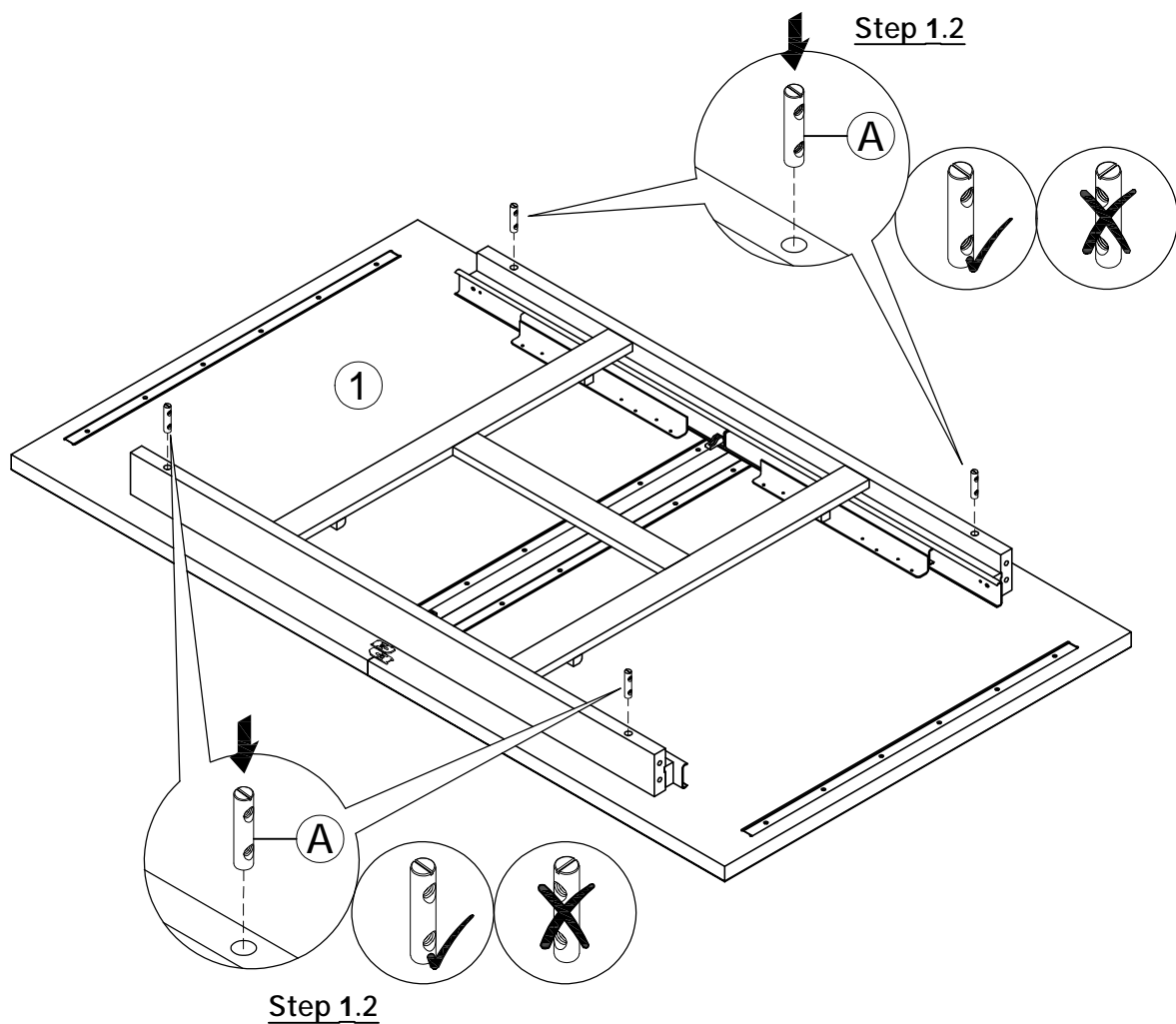
Step by step assembly instructions

- Step 1**
- 1.1 : Lay all parts on a flat, stable, clean and soft surface.
 - 1.2 : Insert 4x cross dowels (A) into the table top (1) by placing each fitting (A) into the holes on top of each side apron as shown.

Fitting



A x 4



Step By Step Assembly Instructions

Step 2

- 2.1 : Attach leg frames (2) onto table top (1). Ensure the pre-drilled holes on leg frames (2) are aligned correctly with the pre-drilled holes on table top (1) before attaching.
- 2.2 : Secure leg frames (2) to table top (1) by screwing 8x hex head bolts (B) and 8x lock washers (D) into the cross dowels (A) that are located on table top (1) as shown. Use allen key (C) to turn bolts clockwise to fix.

Fitting



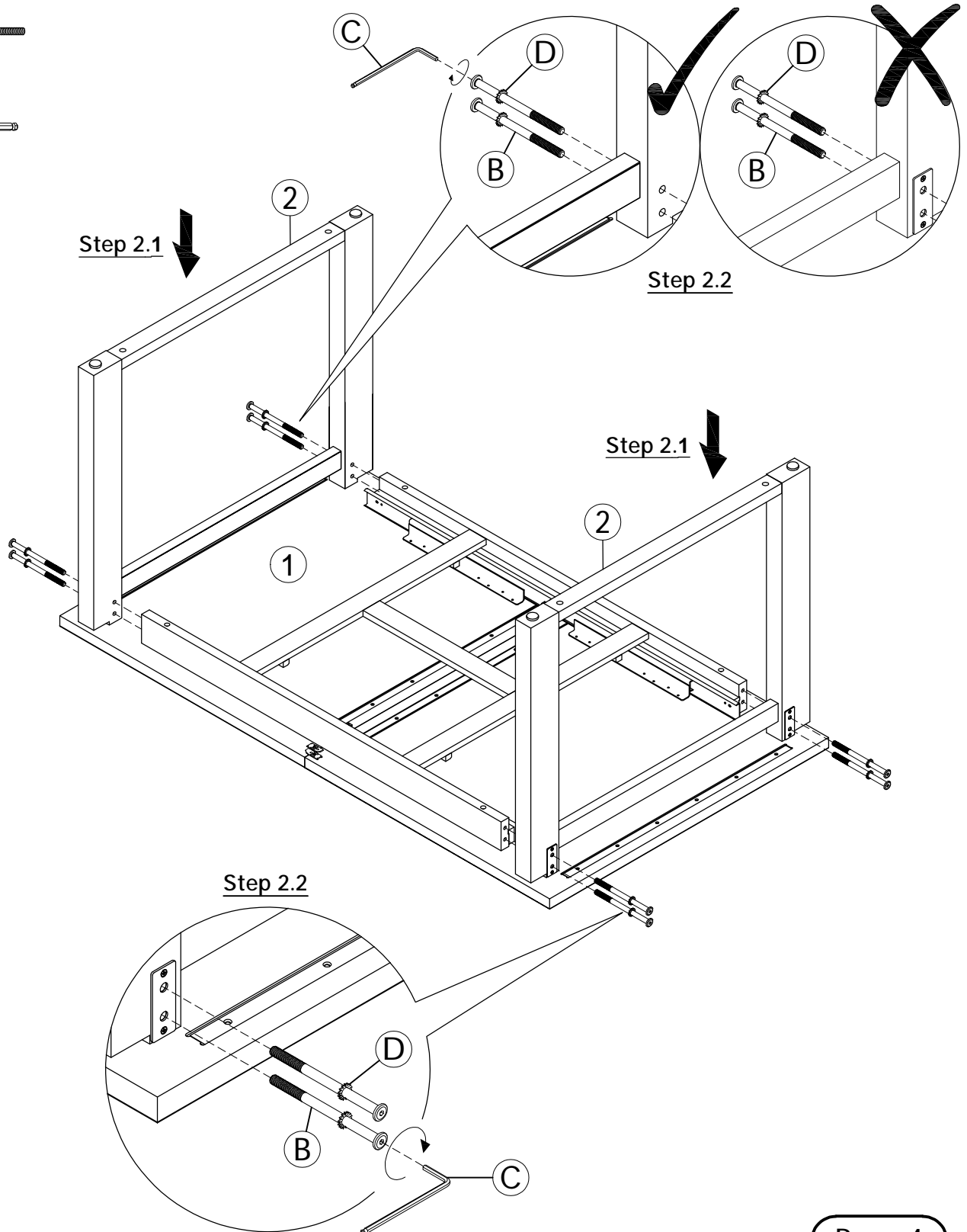
B x 8



C x 1



D x 8



Step By Step Assembly Instructions

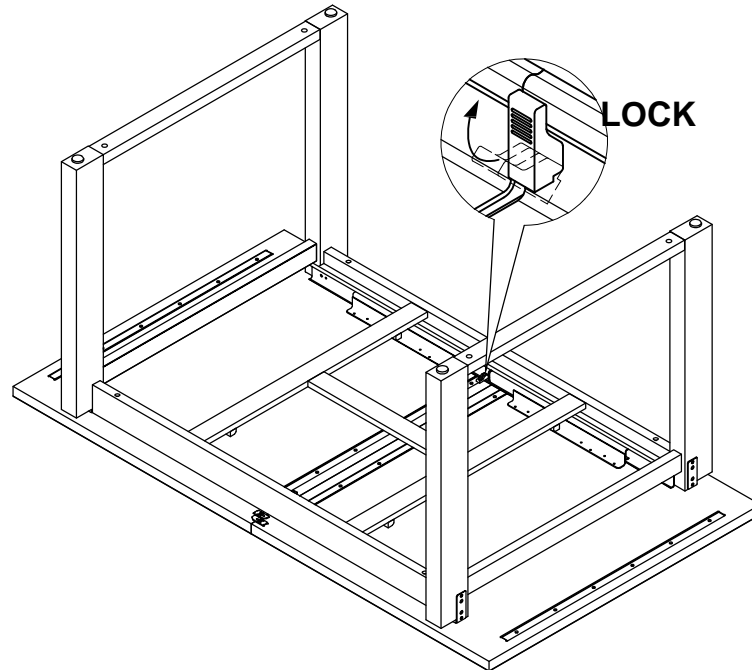
Step 3

Lock the slides

Important : Ensure you have already locked the slides before righting the table.

Note : When moving the table, remove leaf, close table top and lock the slides, then move by gripping or lifting the legs or underframe.

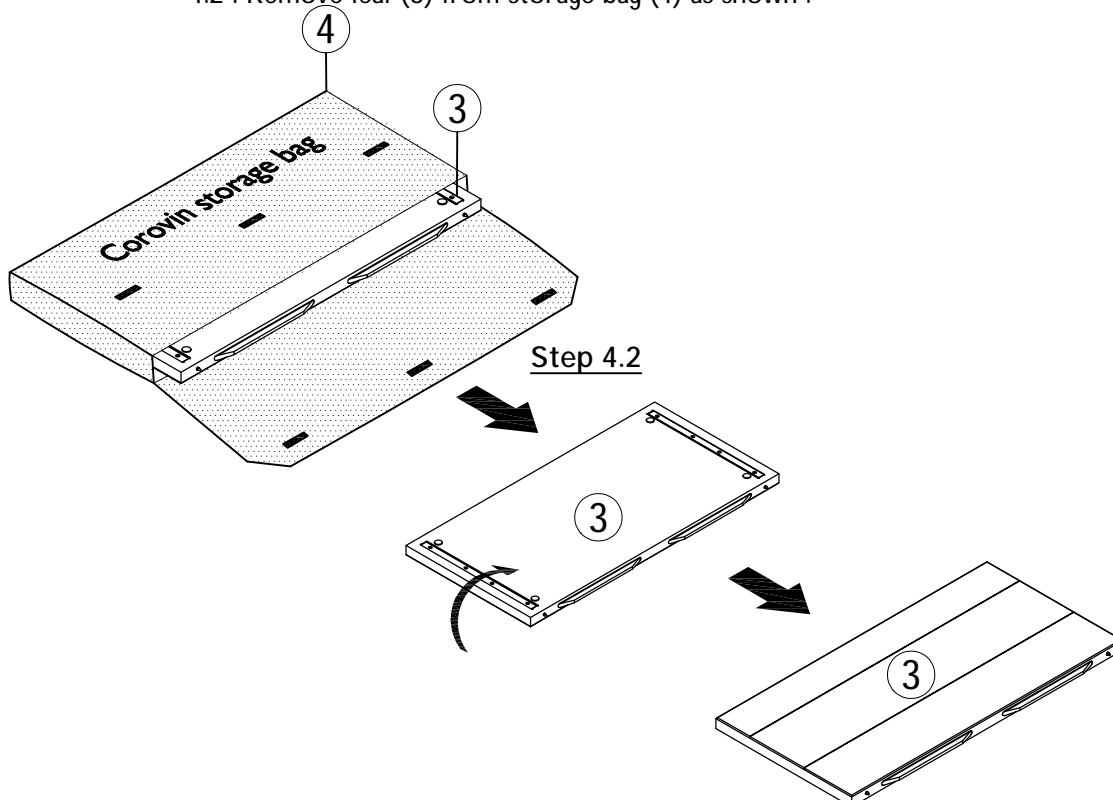
Caution : This product is heavy, with help of assistant stand the table upright.



Step 4

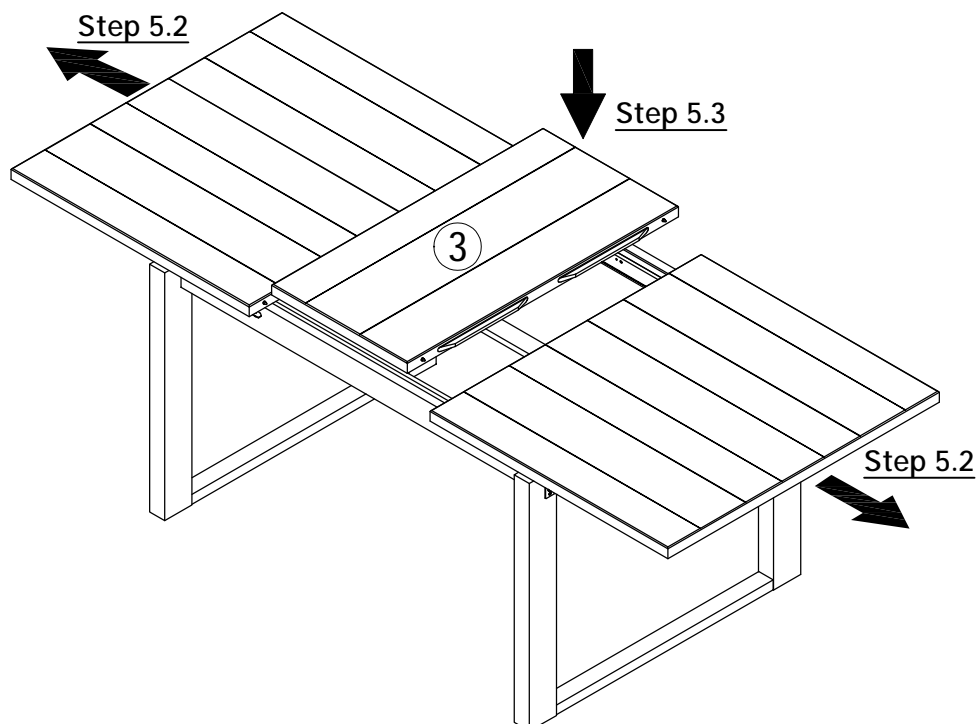
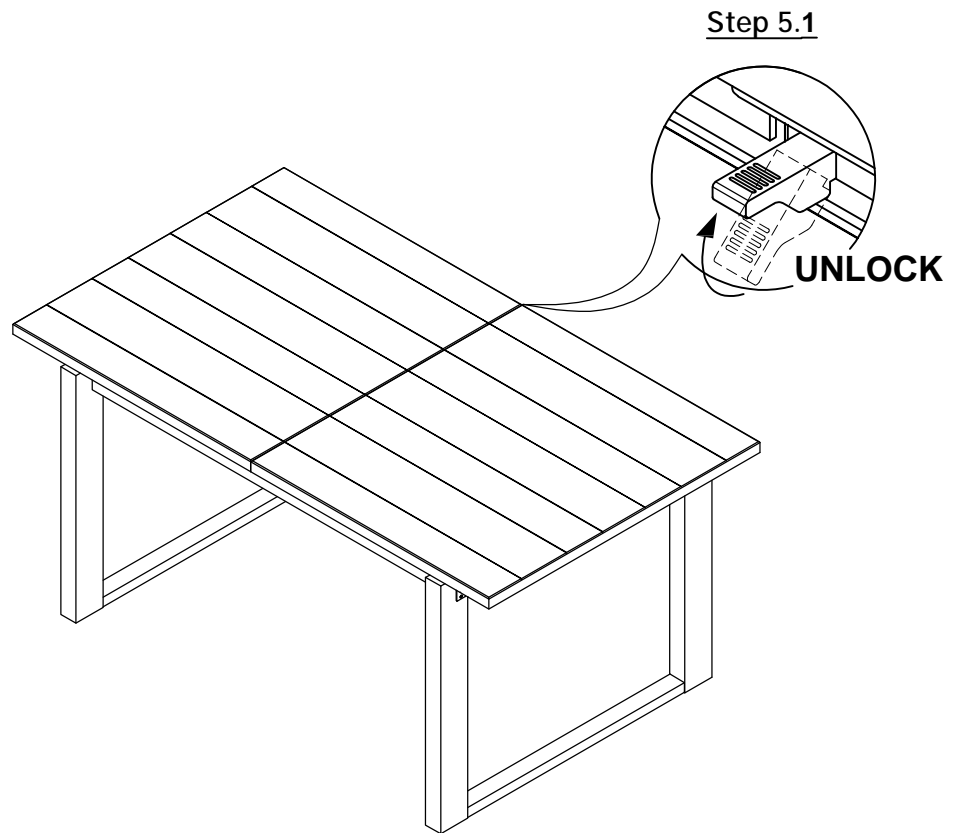
4.1 : Place storage bag (4) and leaf (3) onto a flat, stable, clean and soft surface.

4.2 : Remove leaf (3) from storage bag (4) as shown .



Step By Step Assembly Instructions

- Step 5**
- 5.1 : Unlock the slides that were locked in Step 3.
 - 5.2 : Extend the table by slide the top all the way out as shown.
 - 5.3 : Place leaf (3) over the side aprons as shown.



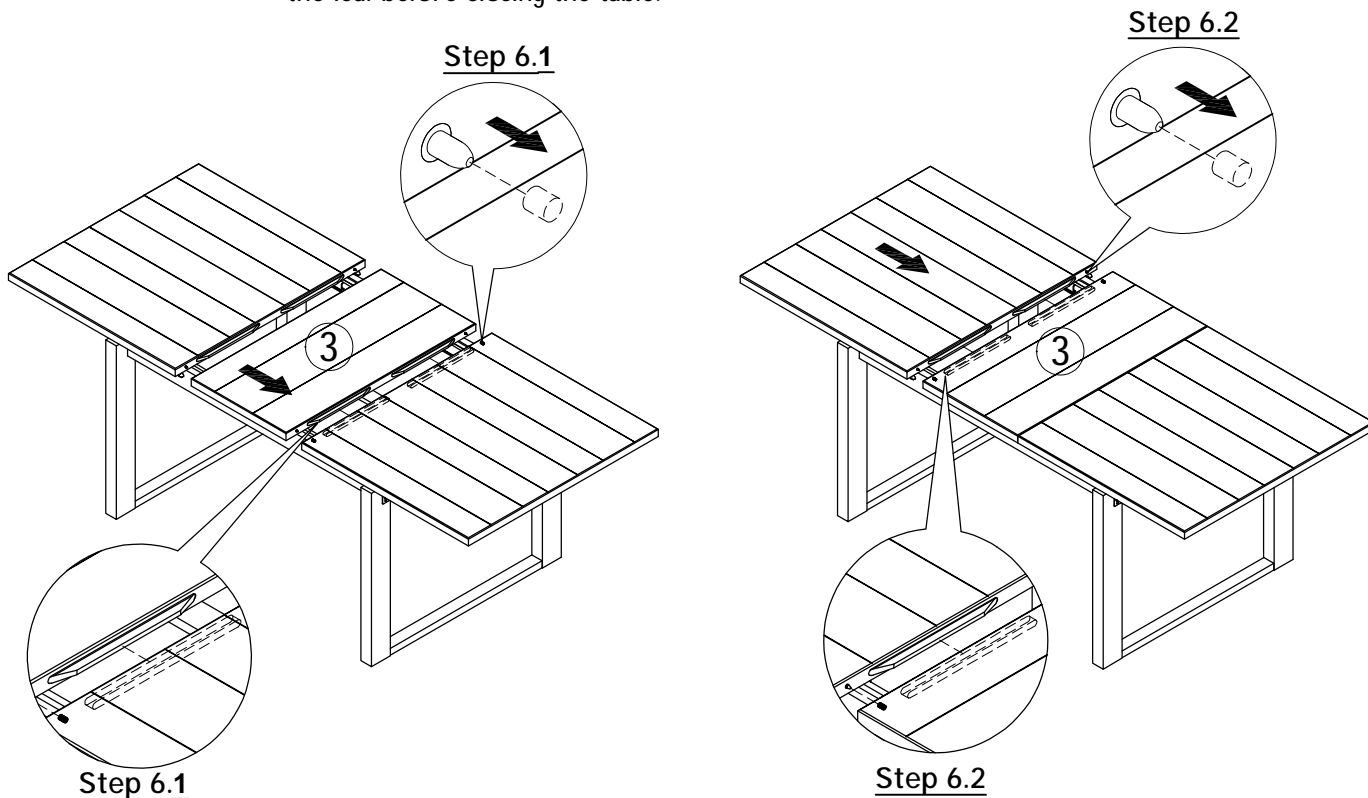
Step by step assembly instructions

Step 6

6.1 : Slide leaf (3) to main table top until no gap is visible.

6.2 : Push table top inwards until no gap is visible.

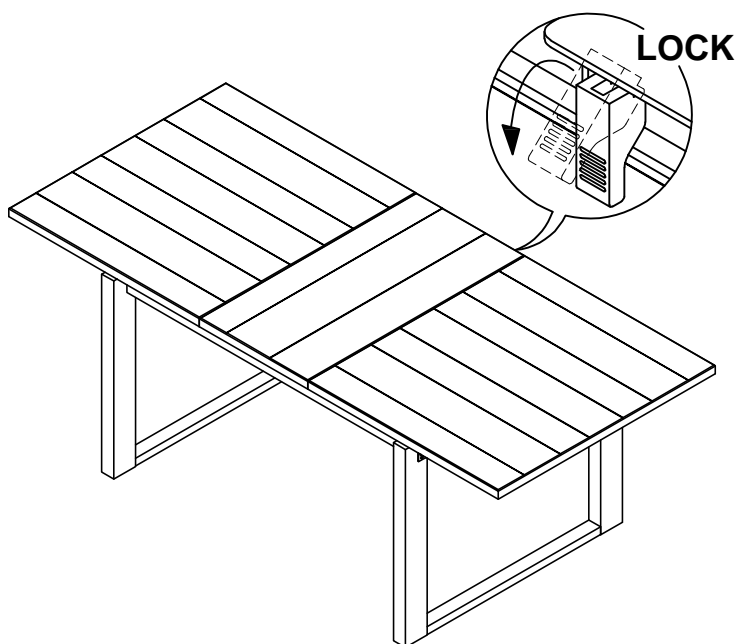
Note: Ensure the metal pins and support locks are aligned to the holes on the main table tops and the leaf before closing the table.



Step 7

Ensure that you have locked the slides after closing the table as shown.

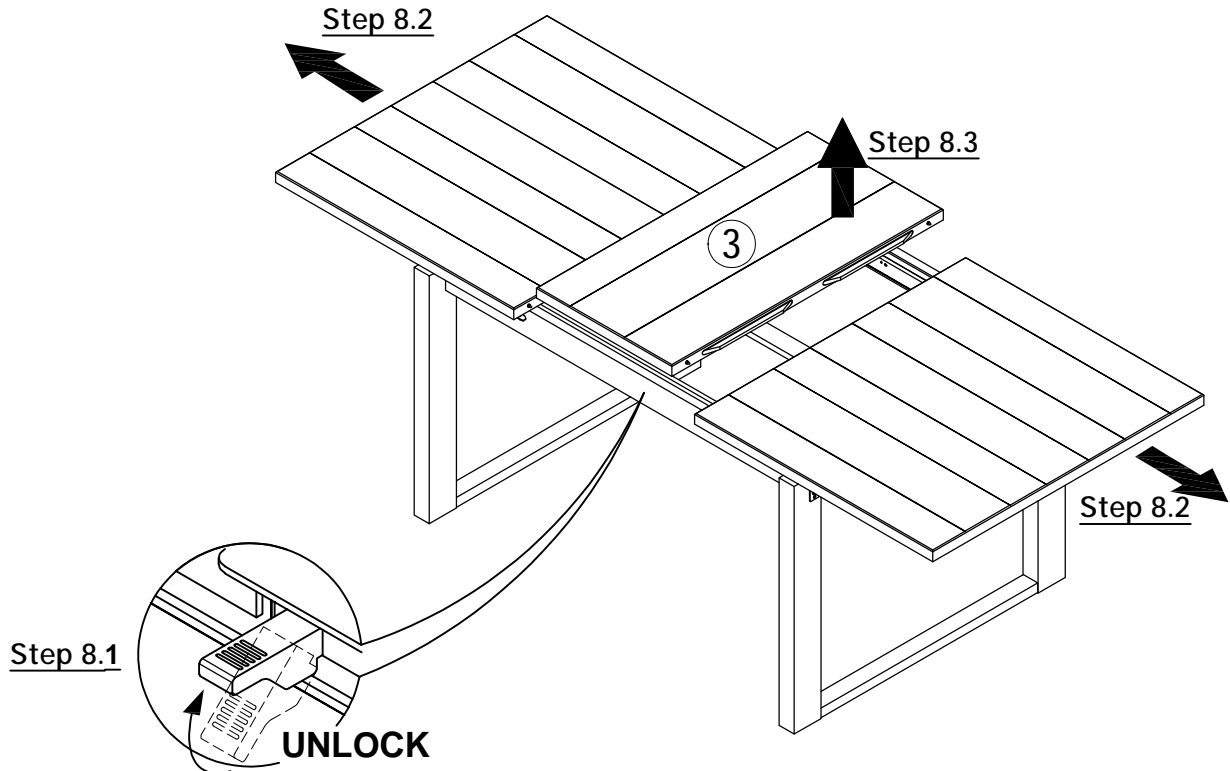
Note: When moving the table, remove leaf, close table top and lock the slides, then move by gripping or lifting the legs or underframe.



Step By Step Assembly Instructions

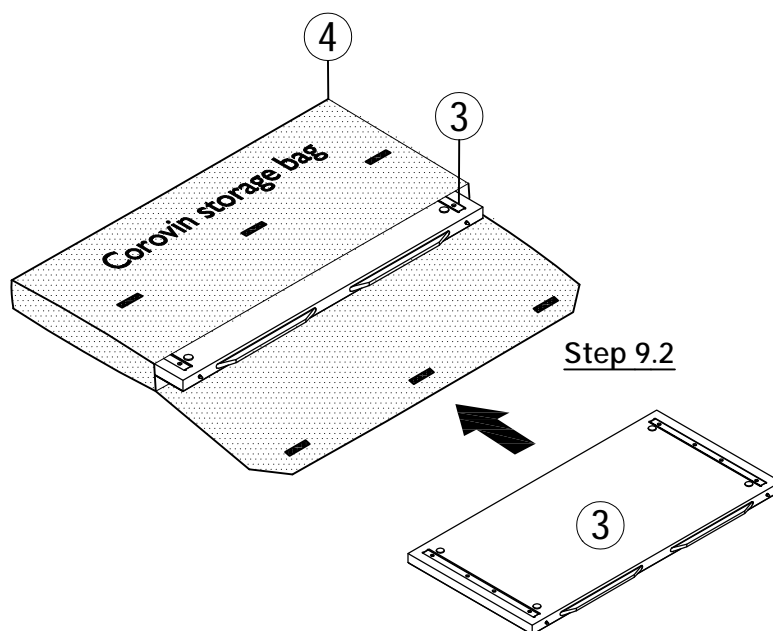
Step 8 Remove the leaf

- 8.1 : Unlock the slides that were locked in Step 7.
- 8.2 : Extend the table by slide the top all the way out as shown.
- 8.3 : Remove leaf (3) .



Step 9

- 9.1 : Place leaf (3) and corovin storage bag (4) onto a flat, stable, clean and soft surface.
- 9.2 : Place the leaf (3) into corovin storage bag (4) as shown.



Step By Step Assembly Instructions

Step 10

- 10.1 : Carefully place corovin storage bag (4) with leaf (3) onto wood support storage under table top as shown.
- 10.2 : Close the table by slide the top all the way in as shown. Ensure the metal pins and slots on both table tops (1) are aligned correctly with the mating holes before closing.
- 10.3 : Ensure that you have locked the slides after closing the table.

