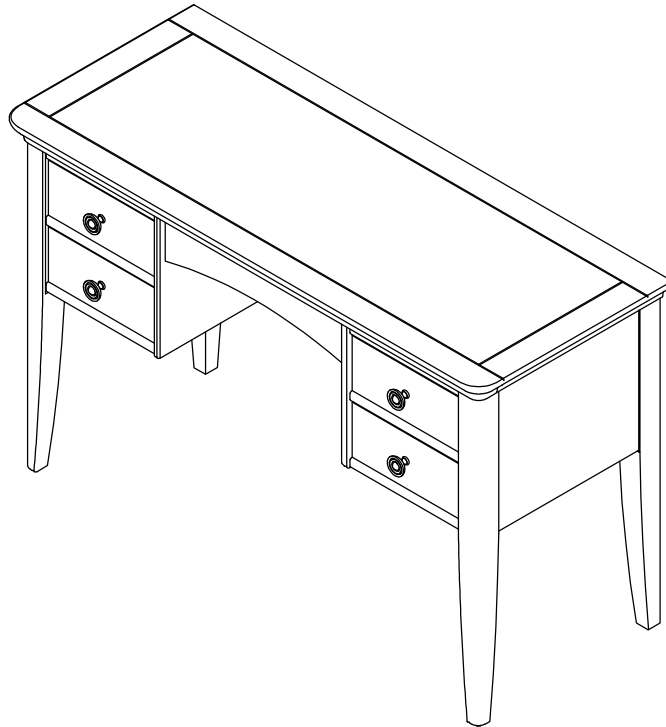


DRESSING TABLE

Stock number: 9172-90

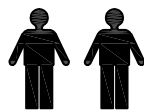
Thank you for purchasing this product. Please read the instructions carefully before use to ensure safe and satisfactory operation of this product.



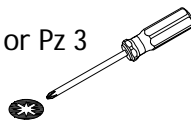
Pre-assembly preparation

Please ensure instructions are read in full before attempting to assemble this product.

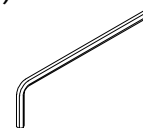
Necessary Tools : Pozi screwdriver



Pz 2 or Pz 3



(Included)



Please check the pack contents before attempting to assemble this product. A full checklist of components is given in this leaflet. If any components are missing, please contact the retailer from whom you bought this product.

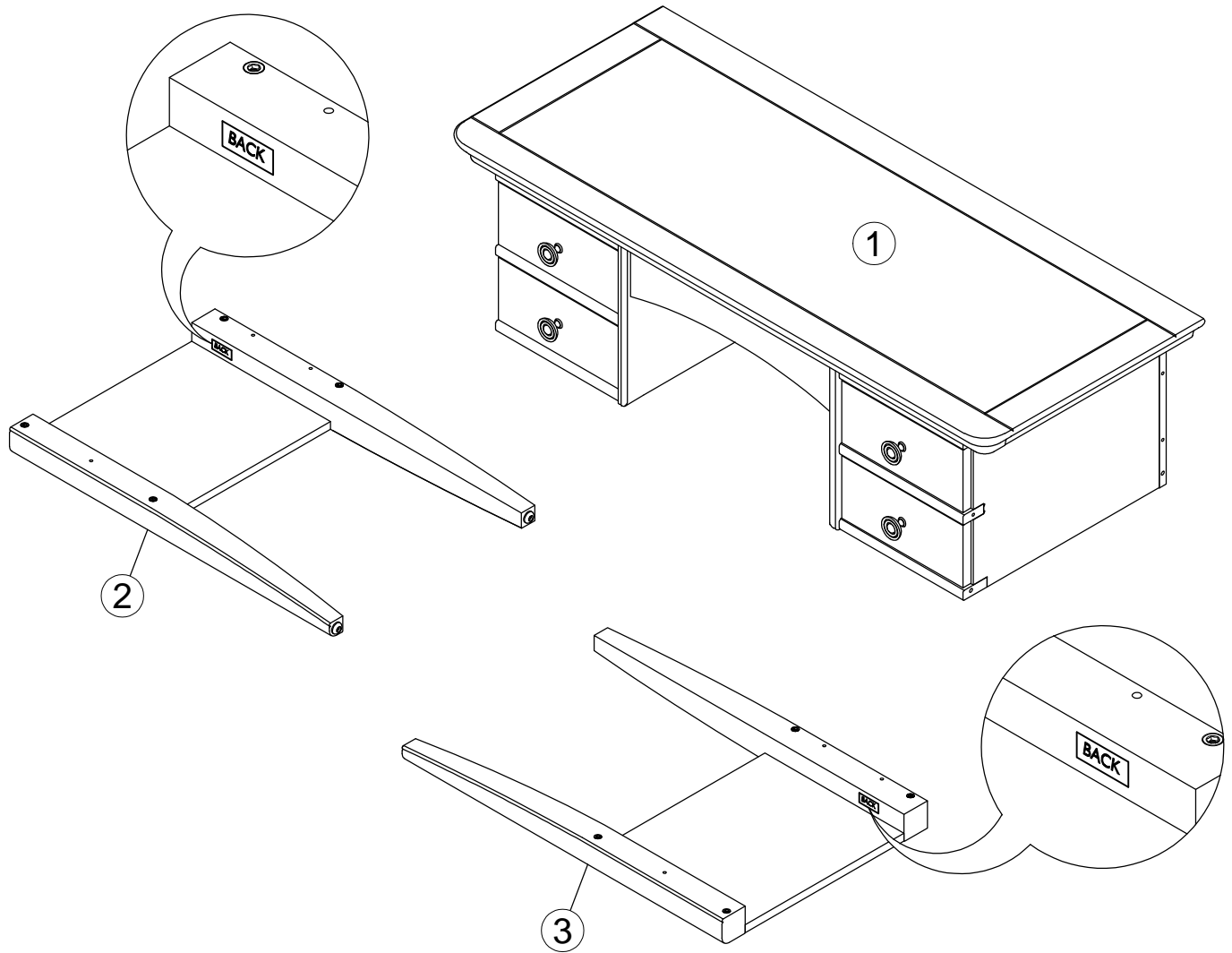
This product takes approximately **15 MINUTES** to assemble with **2 PEOPLE**.

All assembly should be performed on a flat, stable, clean and soft surface.

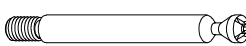

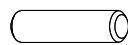
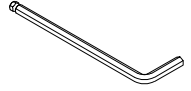
This product is **HEAVY**, it should be assembled as near as possible to the point of use. **TAKE CARE WHEN LIFTING** to avoid personal injury and (or) damage to the product

The fitting pack contains **SMALL ITEMS** which should be **KEPT AWAY FROM YOUNG CHILDREN**.

IMPORTANT: Retain these instructions for future reference.



Fittings and parts checklist

| Item | Description | Qty. | Item | Description | Qty. |
|------|---------------------------------------------------------------------------------------------------------------|------|------|--------------------------------------------------------------------------------------------------------------------|------|
| 1 | Table top frame | x 1 | 3 | Side frame right | x 1 |
| 2 | Side frame left | x 1 | | | |
| A | Steel dowel Ø7 x 52mm  | x 8 | C | Grub screw M8 x 5.5mm  | x 8 |
| B | Wooden dowel Ø6 x 40mm  | x 6 | D | Allen key M4 x 30 x 110mm  | x 1 |

Step By Step Assembly Instructions

Step 1

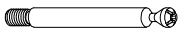
1.1 : Lay all parts on a flat, stable, clean and soft surface.

1.2 : Pull out the drawers as shown.

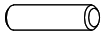
1.3 : Attach 8x steel dowels (A) into side frame left (2) and side frame right (3) by screwing fittings (A) into the inset fittings that are located on parts (2) & (3) as shown. Use a pozi screwdriver to turn fittings (A) clockwise to fix.

1.4 : Insert 6x wooden dowels (B) into the pre-drilled holes on side frame left (2) and side frame right (3) as shown.

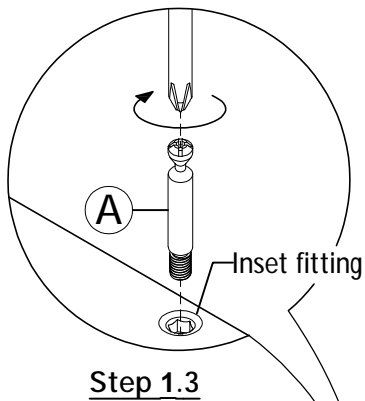
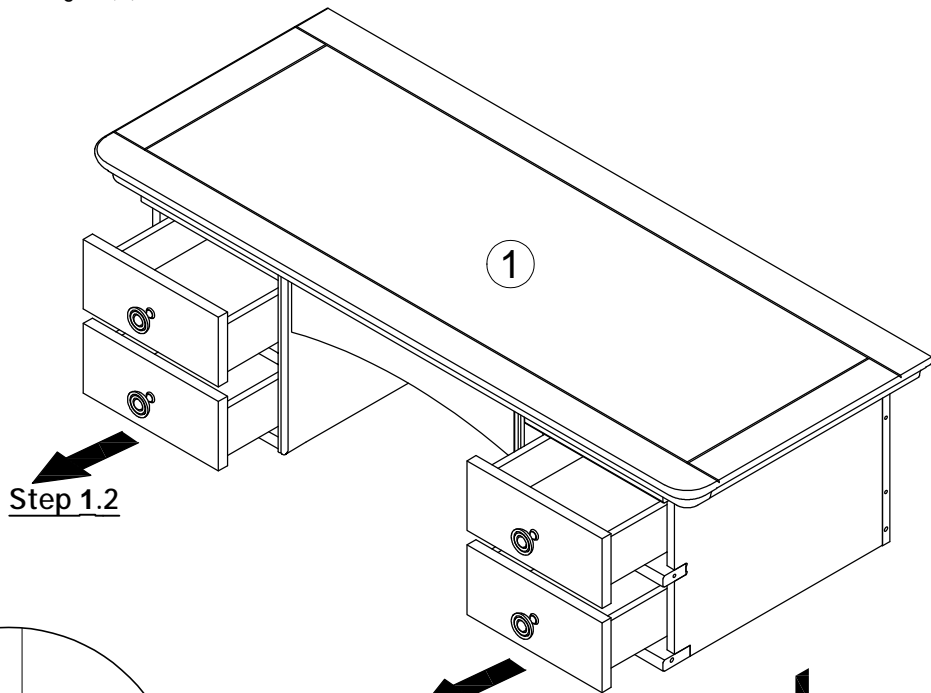
Fitting



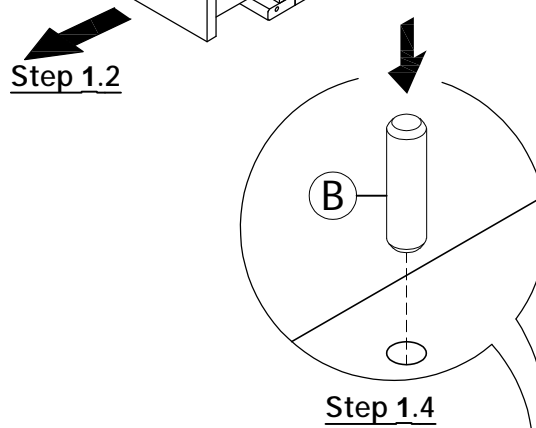
A x 8



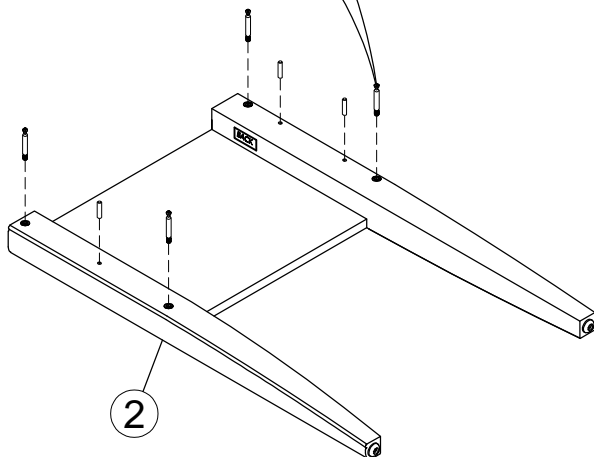
B x 6



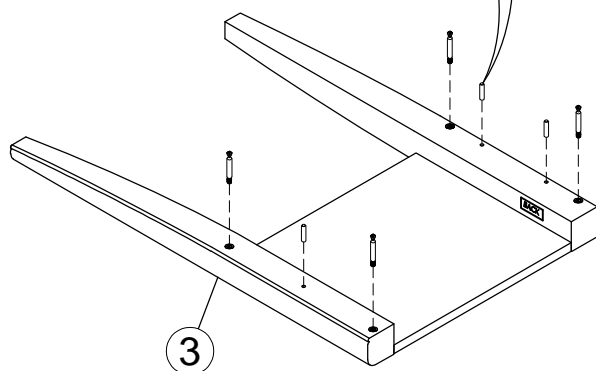
Step 1.3



Step 1.4



2



3

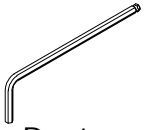
Step By Step Assembly Instructions

- Step 2**
- 2.1 : Attach side frame right (3) onto table top frame (1) as shown. Ensure steel dowels (A) and wooden dowels (B) on side frame right (3) are aligned correctly with the pre-drilled holes on table top frame (1) before attaching.
- 2.2 : Secure side frame right (3) to table top frame (1) by using 4x grub screws (C) as shown. Use allen key (D) to turn fittings (C) clockwise to fix.

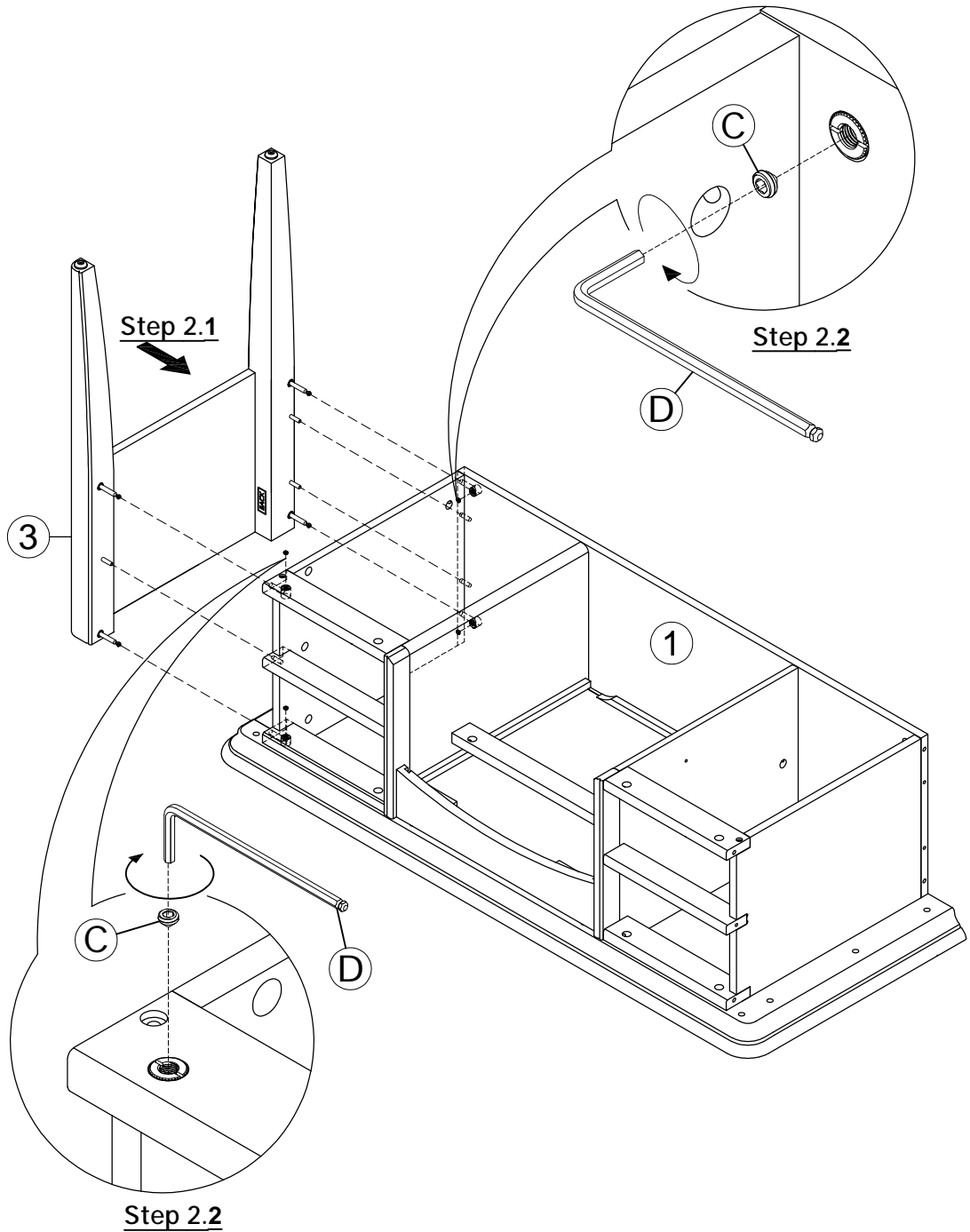
Fitting



C x 4



D x 1



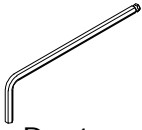
Step By Step Assembly Instructions

- Step 3**
- 3.1 : Attach side frame left (2) onto table top frame (1) as shown. Ensure steel dowels (A) and wooden dowels (B) on side frame left (2) are aligned correctly with the pre-drilled holes on table top frame (1) before attaching.
 - 3.2 : Secure side frame left (2) to table top frame (1) by using 4x grub screws (C) as shown. Use allen key (D) to turn fittings (C) clockwise to fix.
 - 3.3 : Stand the table upright.

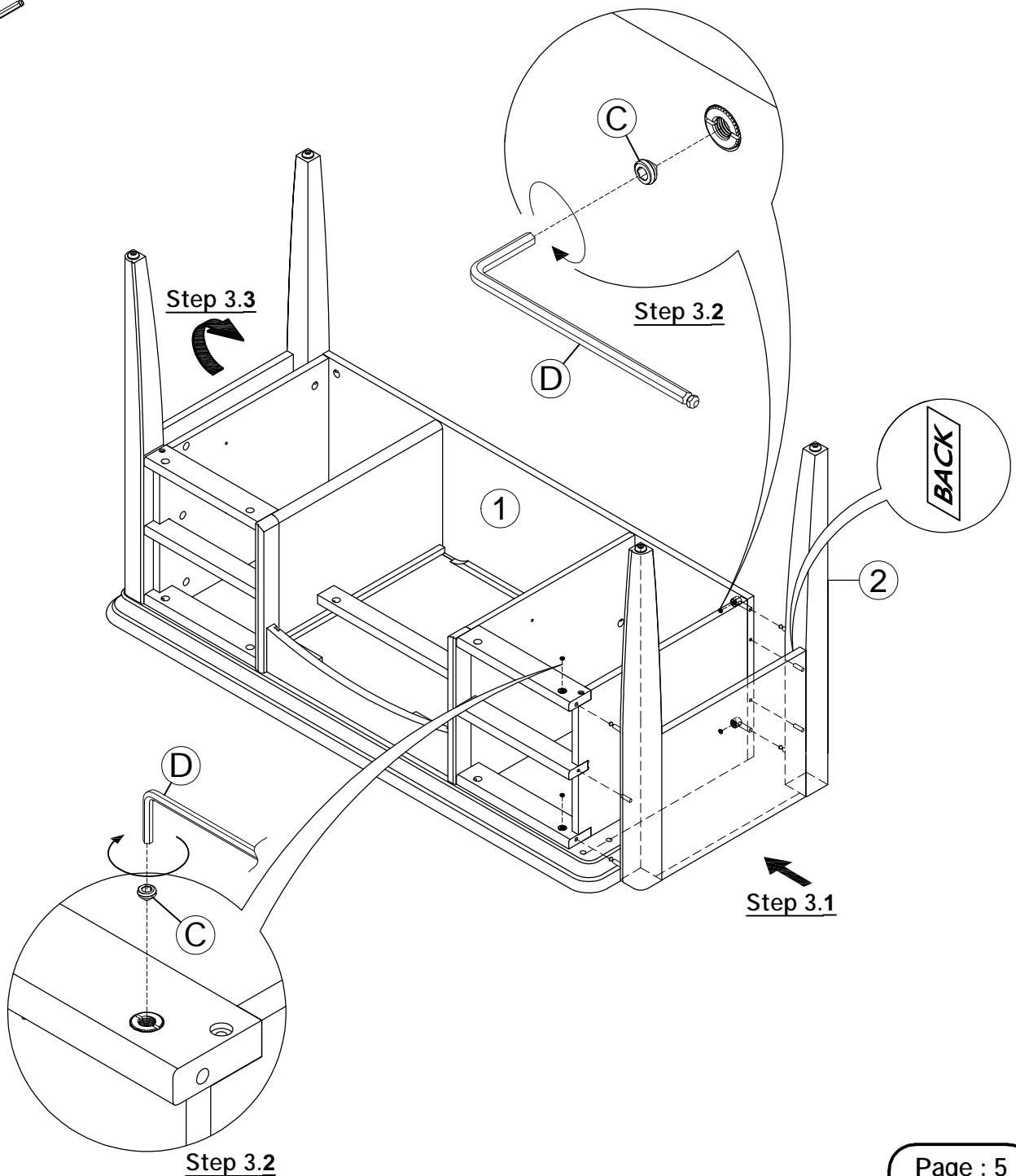
Fitting



C x 4

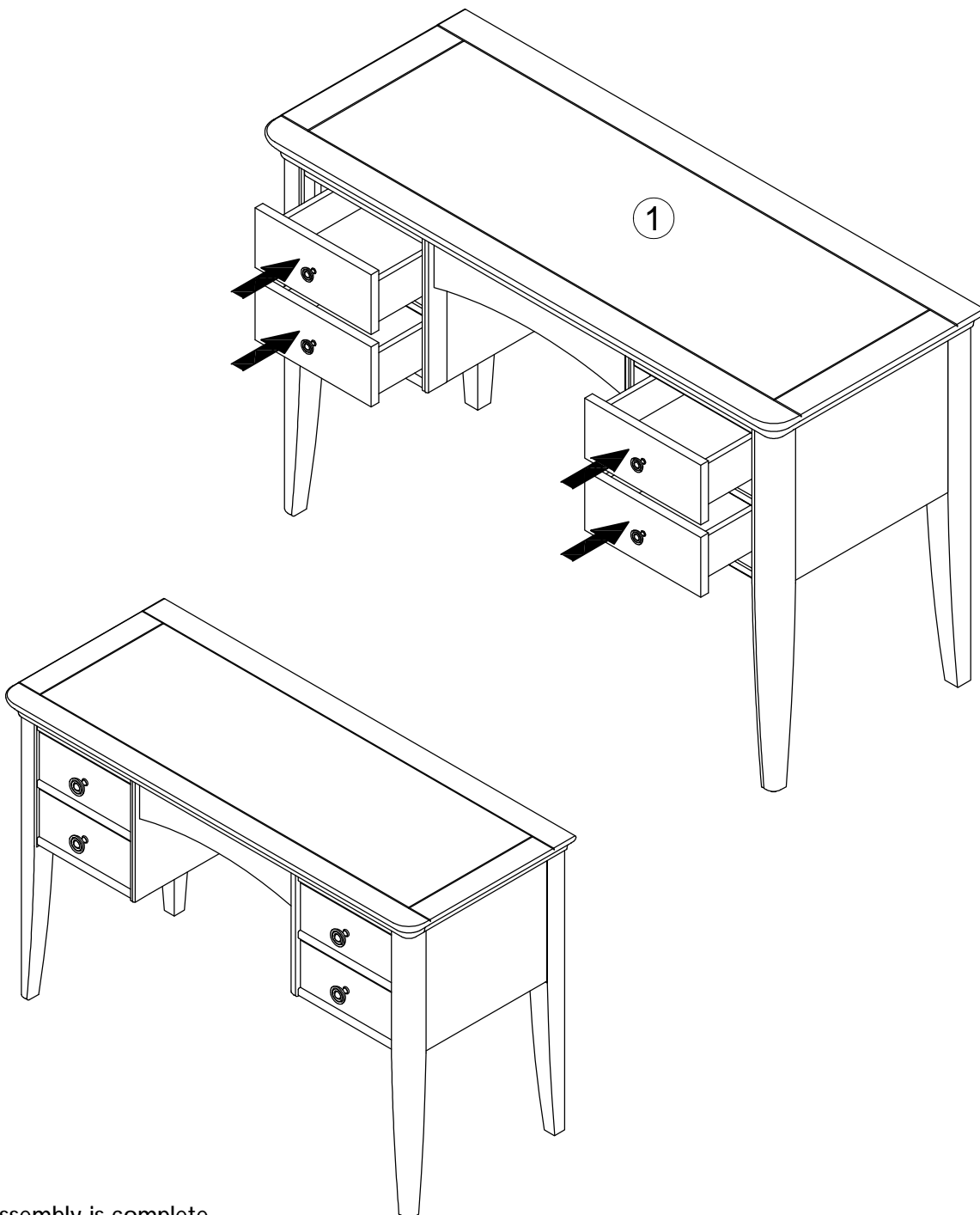


D x 1



Step By Step Assembly Instructions

Step 4 Push in the drawers as shown.

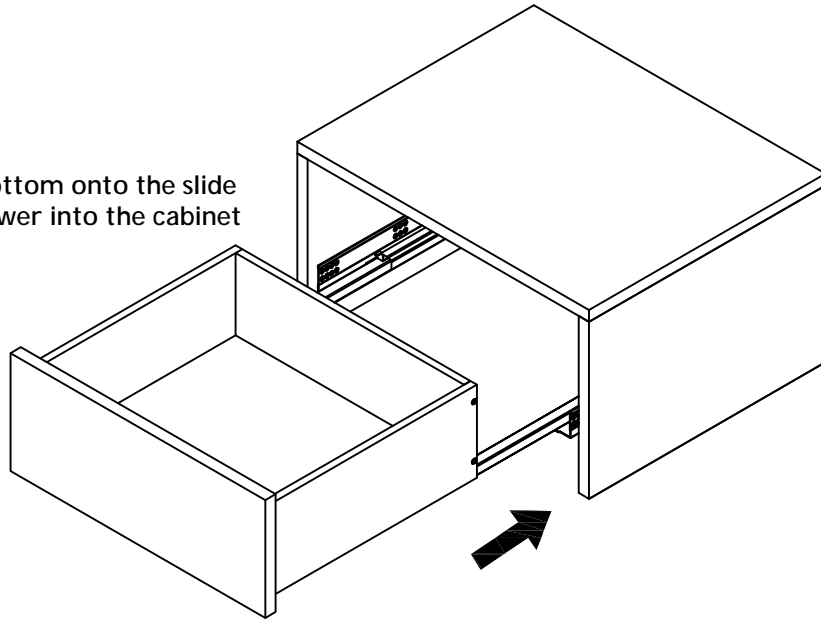


Assembly is complete

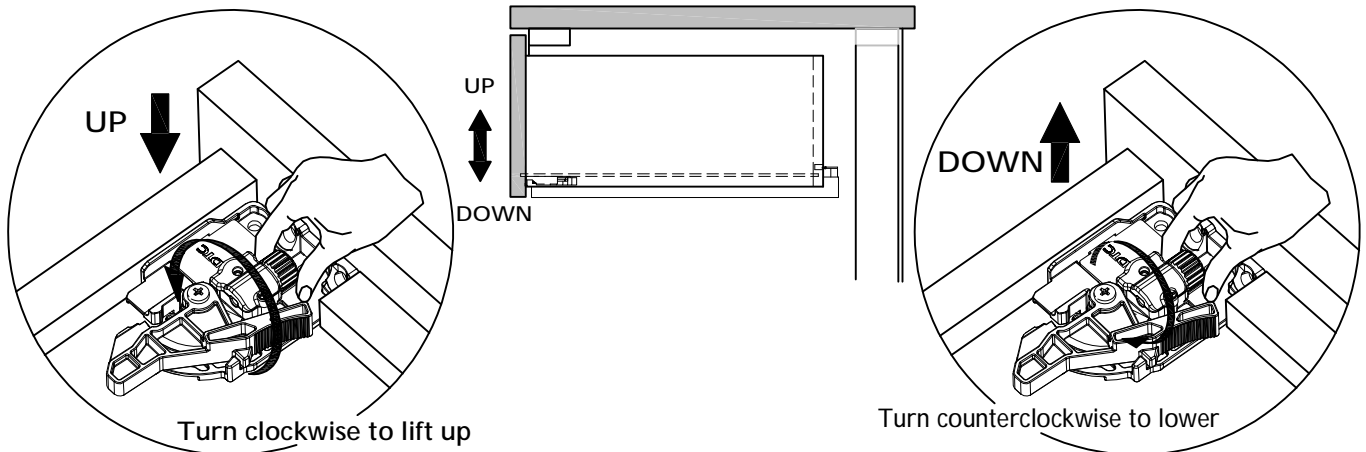
UNDERMOUNT DRAWER GLIDE ADJUSTMENT INSTRUCTION

ASSEMBLE

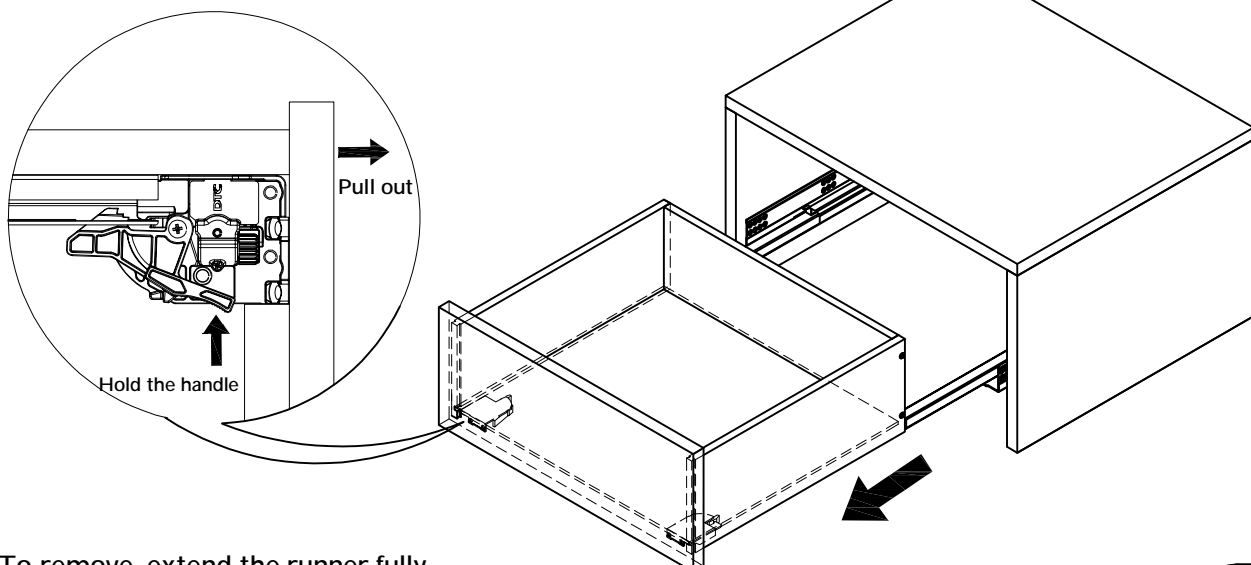
Lay the drawer bottom onto the slide then push the drawer into the cabinet



HEIGHT ADJUSTMENT



REMOVE



To remove, extend the runner fully.
Press and hold the release handle, then pull the drawer out.