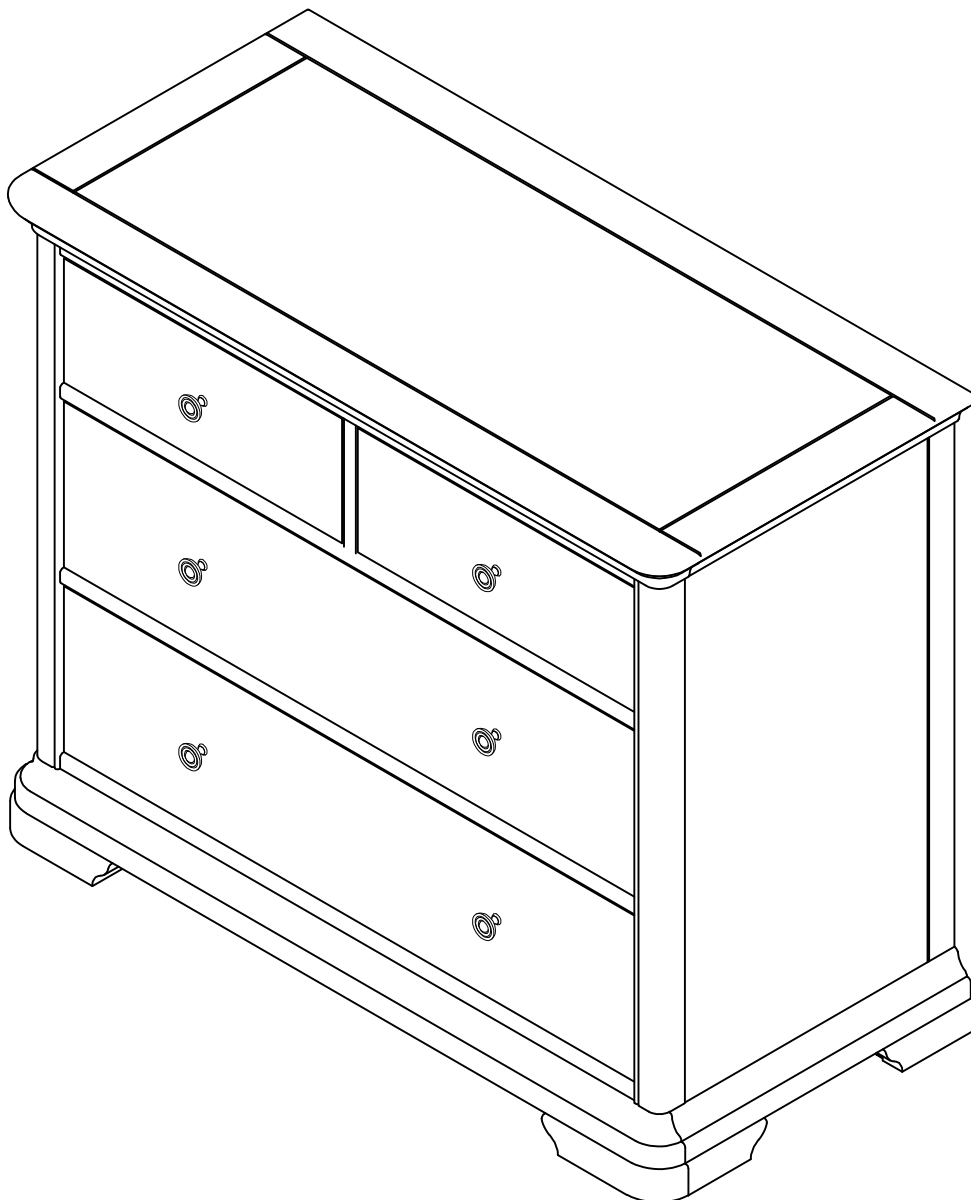


2+2 DRAWER CHEST

Stock number: 9172-74

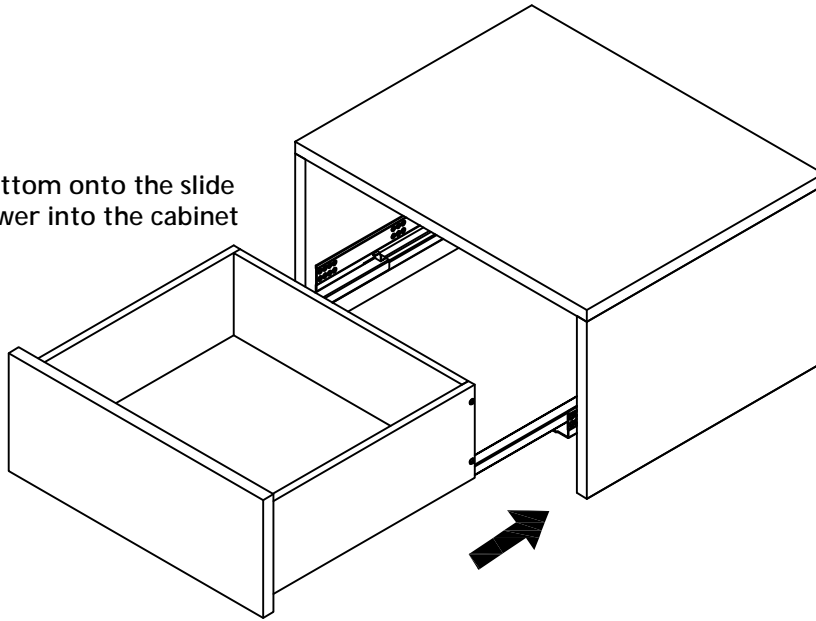
Thank you for purchasing this product. Please read the instructions carefully before use to ensure safe and satisfactory operation of this product.



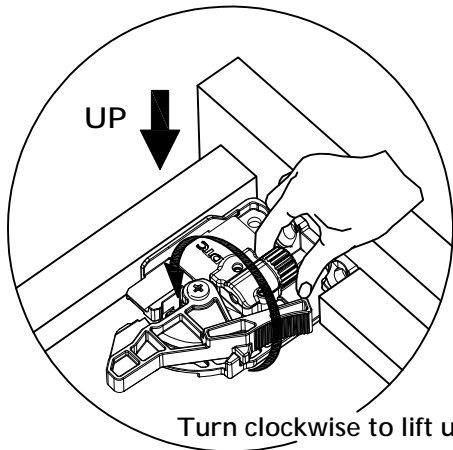
UNDERMOUNT DRAWER GLIDE ADJUSTMENT INSTRUCTION

ASSEMBLE

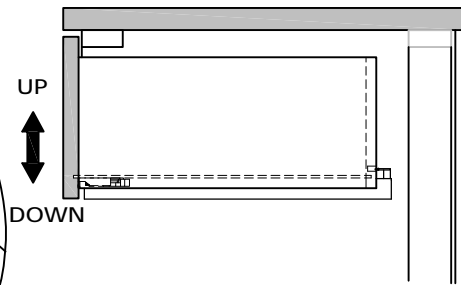
Lay the drawer bottom onto the slide then push the drawer into the cabinet



HEIGHT ADJUSTMENT

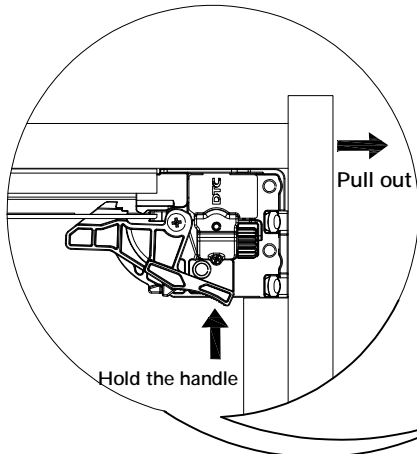


Turn clockwise to lift up



Turn counterclockwise to lower

REMOVE



To remove, extend the runner fully. Press and hold the release handle, then pull the drawer out

