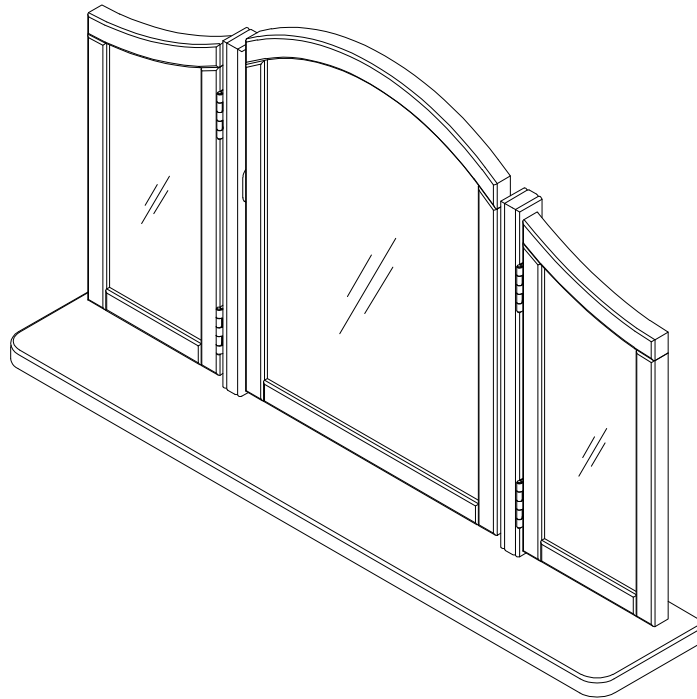


# VANITY MIRROR

Stock number: 9172-17

Thank you for purchasing this product. Please read the instructions carefully before use to ensure safe and satisfactory operation of this product.



## Pre-assembly preparation

Please ensure instructions are read in full before attempting to assemble this product.

## Necessary Tools :



( Included )



Please check the pack contents before attempting to assemble this product. A full checklist of components is given in this leaflet. If any components are missing, please contact the retailer from whom you bought this product.

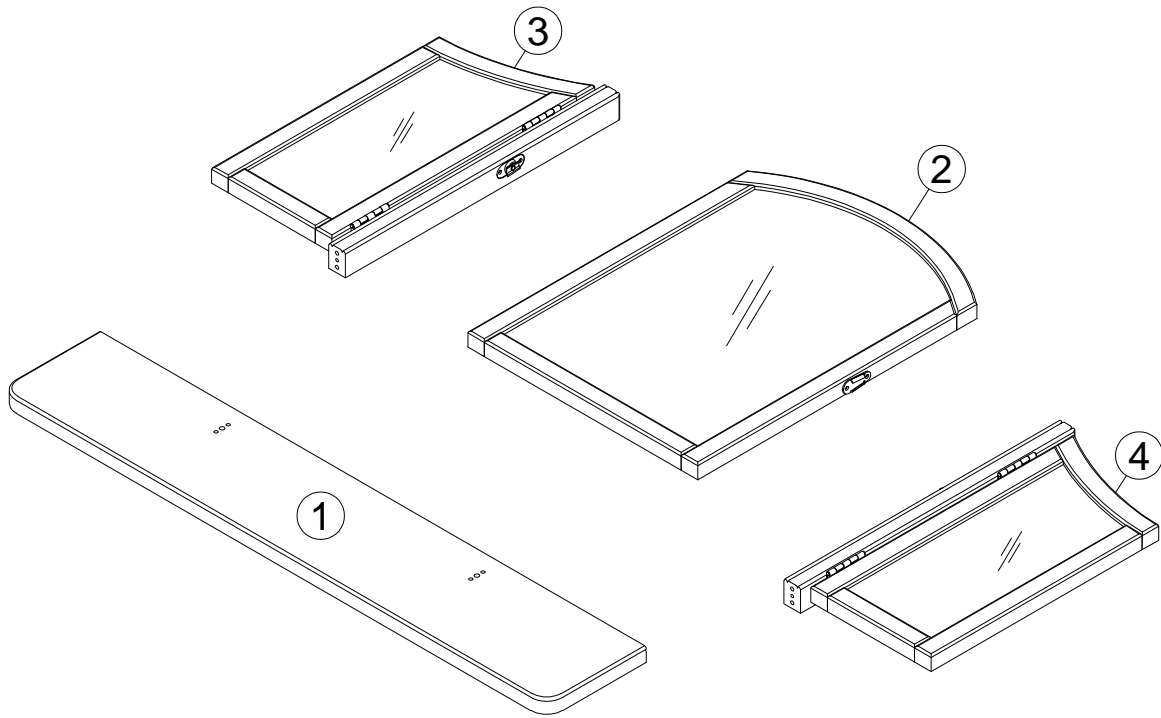
This product takes approximately **15 MINUTES** to assemble with **1 PERSON**.

All assembly should be performed on a flat, stable, clean and soft surface.

This product is **HEAVY**, it should be assembled as near as possible to the point of use. **TAKE CARE WHEN LIFTING** to avoid personal injury and (or) damage to the product

The fitting pack contains **SMALL ITEMS** which should be **KEPT AWAY FROM YOUNG CHILDREN**.

**IMPORTANT:** Retain these instructions for future reference.



## Fittings and parts checklist

Item	Description	Qty.	Item	Description	Qty.
1	Base	x 1	3	Left frame mirror	x 1
2	Center frame mirror	x 1	4	Right frame mirror	x 1
A	Wooden Dowel Ø6 x 30mm	x 4	C	Allen key M4 x 30 x 110mm	x 1
B	Confirmat Screw Ø7 x 50mm	x 2	D		

# Step By Step Assembly Instructions

## Step 1

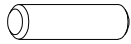
1.1 : Lay all parts on a flat, stable, clean and soft surface.

1.2 : Insert 4x wooden dowels (A) into the pre-drilled holes on left frame mirror (3) and right frame mirror (4) as shown.

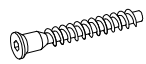
1.3 : Attach left and right frames mirror (3) & (4) onto base (1) using 2x confirmat screws (B) as shown. Use allen key (C) to turn fittings (B) clockwise to fix.

1.4 : Stand the vanity mirror upright.

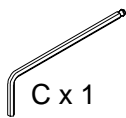
Fitting



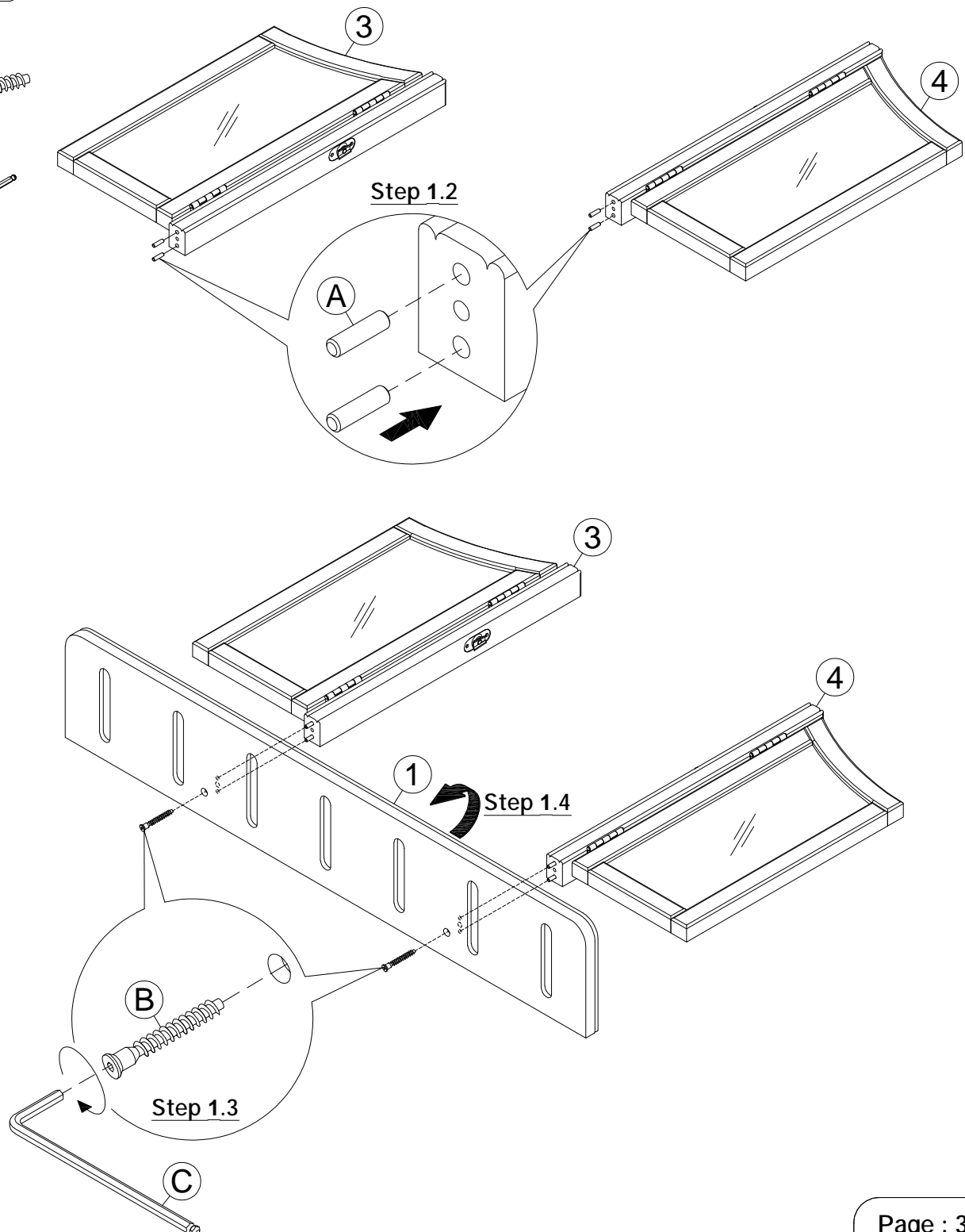
A x 4



B x 2

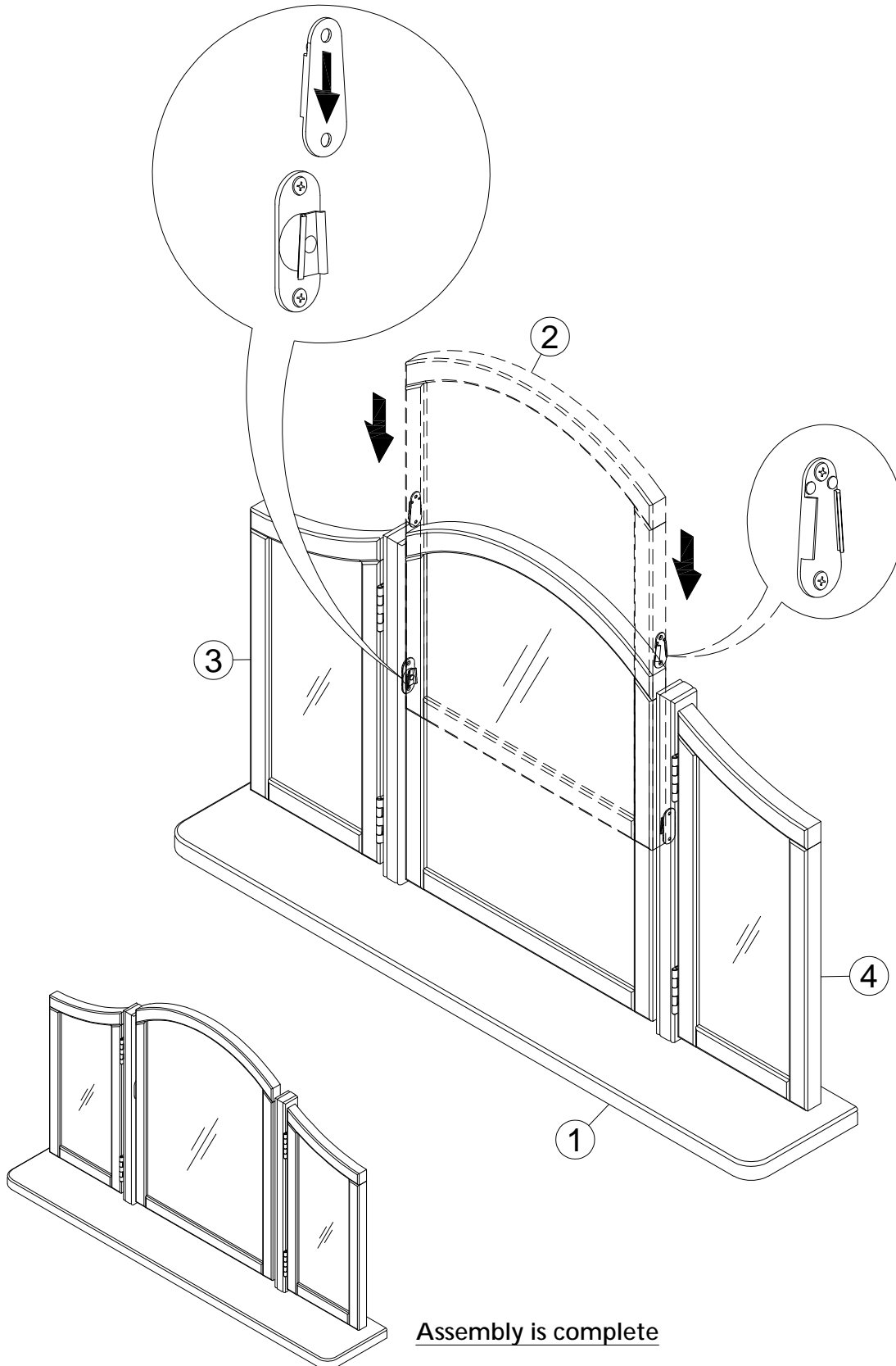


C x 1



# Step By Step Assembly Instructions

**Step 2** : Attach center frame mirror (2) onto left and right frames mirror (3) & (4). Ensure the brackets on both sides of center frame mirror are aligned correctly with the brackets on parts (3) & (4).



Assembly is complete