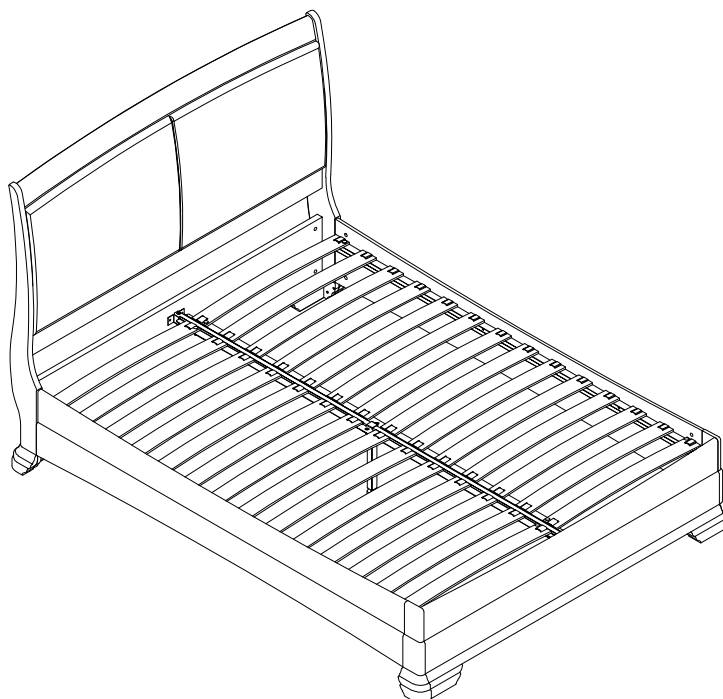


# 150CM & 180CM UPHOLSTERED BEDFRAME

Stock number: 9172-54/55

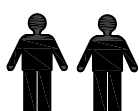
Thank you for purchasing this product. Please read the instructions carefully before use to ensure safe and satisfactory operation of this product.



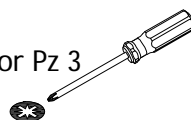
## Pre-assembly preparation

Please ensure instructions are read in full before attempting to assemble this product.

**Necessary Tools :** Phillips screwdriver and pozi screwdriver



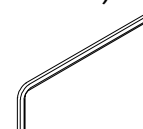
Pz 2 or Pz 3



Ph 2



( Included )



Please check the pack contents before attempting to assemble this product. A full checklist of components is given in this leaflet. If any components are missing, please contact the retailer from whom you bought this product.

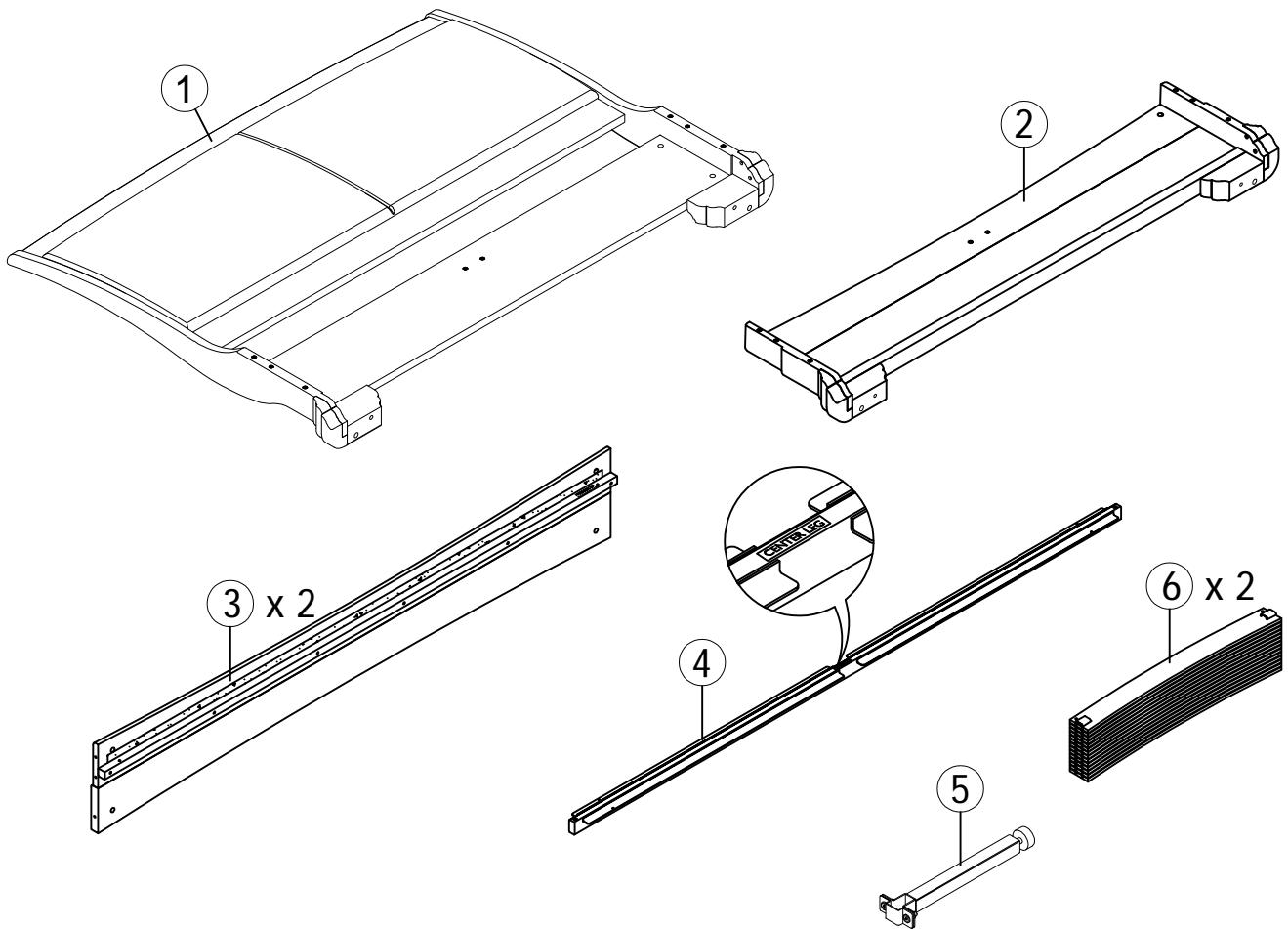
This product takes approximately **50 MINUTES** to assemble with **2 PEOPLE**.

All assembly should be performed on a flat, stable, clean and soft surface.

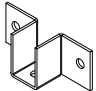
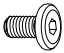
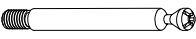

This product is **HEAVY**, it should be assembled as near as possible to the point of use. **TAKE CARE WHEN LIFTING** to avoid personal injury and (or) damage to the product

The fitting pack contains **SMALL ITEMS** which should be **KEPT AWAY FROM YOUNG CHILDREN**.

**IMPORTANT:** Retain these instructions for future reference.



## Fittings and parts checklist

Item	Description	Qty.		Item	Description	Qty.
1	Head board frame	x 1		4	Metal center rail	x 1
2	Foot board frame	x 1		5	Adjustable metal center leg	x 1
3	Side frame	x 2		6	Slat frame	x 2
A	Bracket 26 x 36 x 84mm	x 2		E	Grub screw M8 x 8mm	x 12
B	Hex head bolt M6 x 12mm	x 4		F	Hex head bolt M8 x 50mm	x 2
C	Steel dowel Ø7 x 72.5mm	x 12		G	Felt 3 x 20 x 60mm	x 4
D	Allen key M4 x 30 x 110mm	x 1		H	Plug	x 8

# Step By Step Assembly Instructions

## Step 1

- 1.1: Lay all parts on a flat, stable, clean and soft surface.
- 1.2: Attach 2x brackets (A) onto the pre-drilled holes on head board frame (1) and foot board frame (2) using 4x hex head bolts (B) as shown. Use allen key (D) to turn fittings (B) clockwise to fix as shown.
- 1.3: Attach 12x steel dowels (C) onto head board frame (1) & foot board frame (2) by screwing fittings (C) into the inset fittings that are located on parts (1) & (2) as shown. Use a pozi screwdriver to turn fittings (C) clockwise to fix.
- 1.4: Remove the plastic from 4x felts (G) and stick felts (G) onto under legs head board frame (1) and foot board frame (2) as shown.

Fitting



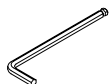
A x 2



B x 4



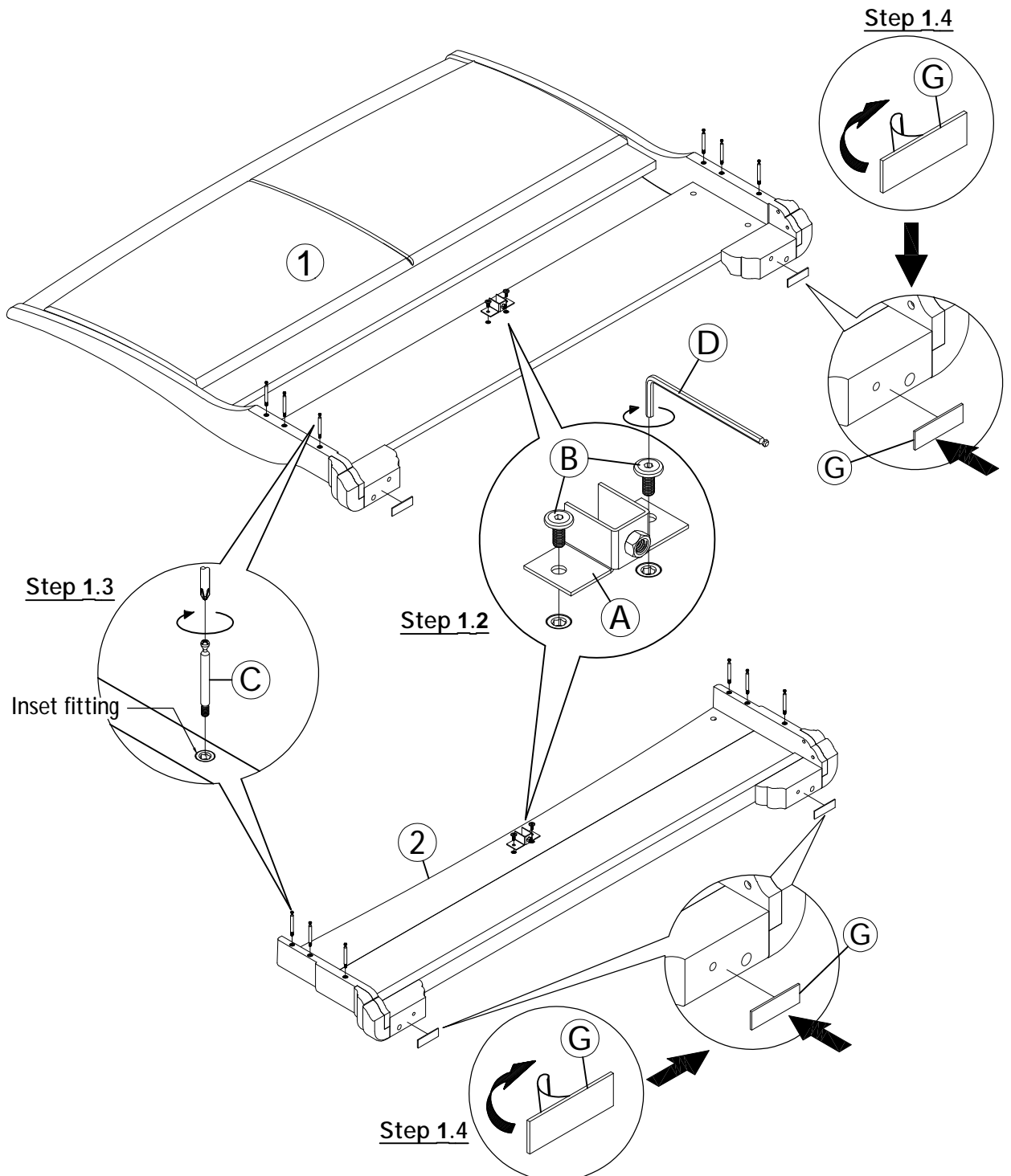
C x 12



D x 1



G x 4



Step 1.4

Step 1.3

Step 1.2

Step 1.4

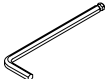
Inset fitting

# Step By Step Assembly Instructions

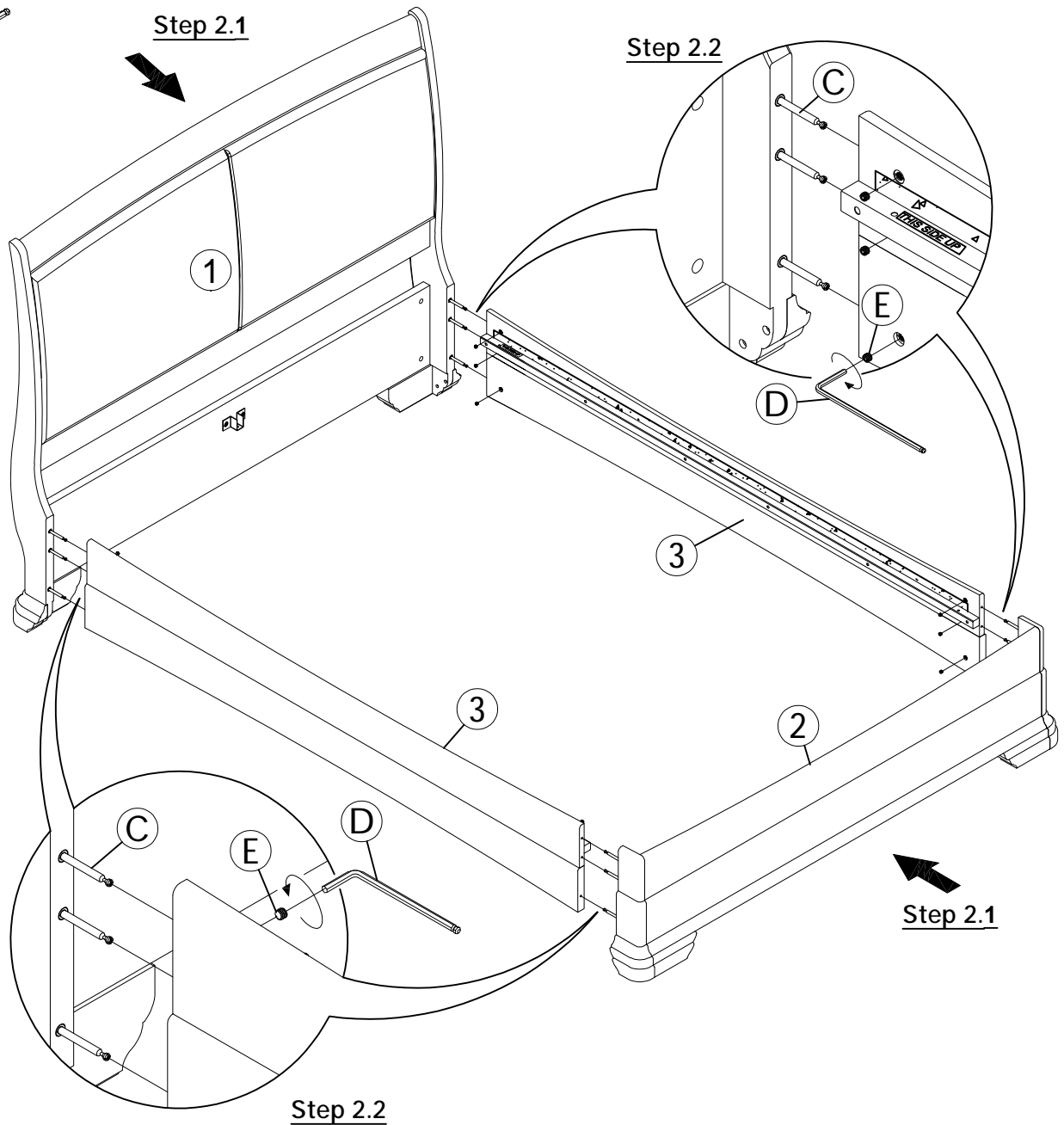
- Step 2**
- 2.1: With help of assistant, stand head board frame (1) and foot board frame (2) upright. Carefully attach head board frame (1) and foot board (2) onto both ends of side frames (3) as shown. Ensure steel dowels (C) are aligned correctly with the holes of mating parts before attaching.
- Fitting
- 2.2: Secure part (1) and part (2) to parts (3) using 12x grub screws (E) as shown. Use an allen key (D) to turn fittings (E) clockwise to fix.



E x 12



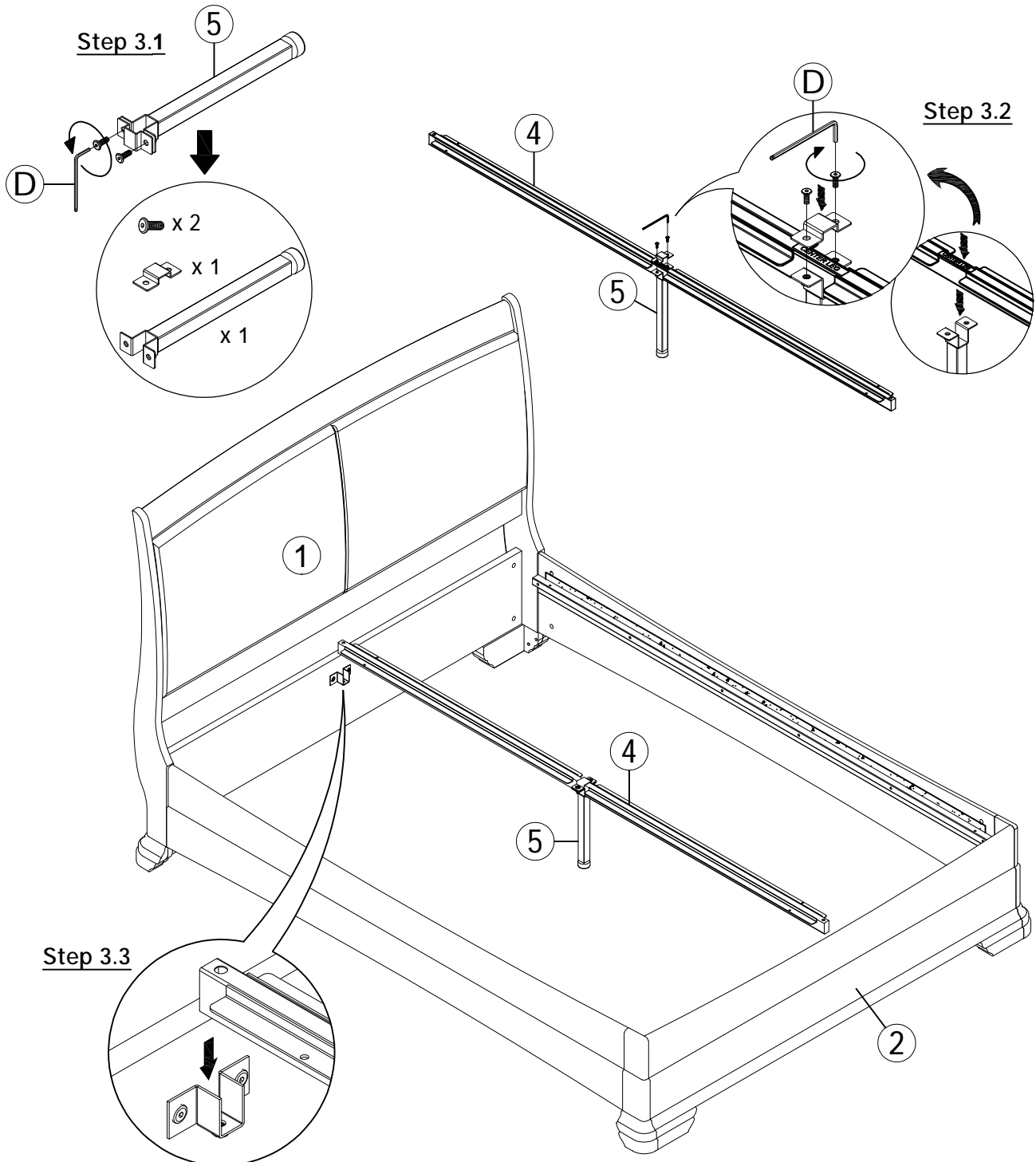
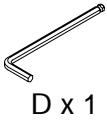
D x 1



# Step By Step Assembly Instructions

- Step 3**
- 3.1: Remove the bracket from adjustable metal center leg (5) by using allen key (D) to turn 2x hex head bolts counterclockwise as shown.
- 3.2: Place adjustable metal center leg (5) onto metal center rail (4) then secure the bracket back onto adjustable metal center leg (5) using the previously removed 2x hex head bolts as shown. Use an allen key (D) to turn bolts clockwise to fix.
- 3.3: Place the assembled metal center rail (4) with adjustable metal center leg (5) onto the brackets (A) that are already affixed on head board frame (1) and foot board frame (2) as shown.

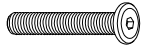
Fitting



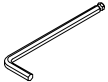
# Step By Step Assembly Instructions

- Step 4** 4.1 : Secure part (4) to parts (1) & (2) using 2x hex head bolts (F) as shown. Using an allen key (D) to turn fittings (F) clockwise to fix.  
4.2 : Adjust the adjustable center leg to fit with the floor level as shown.

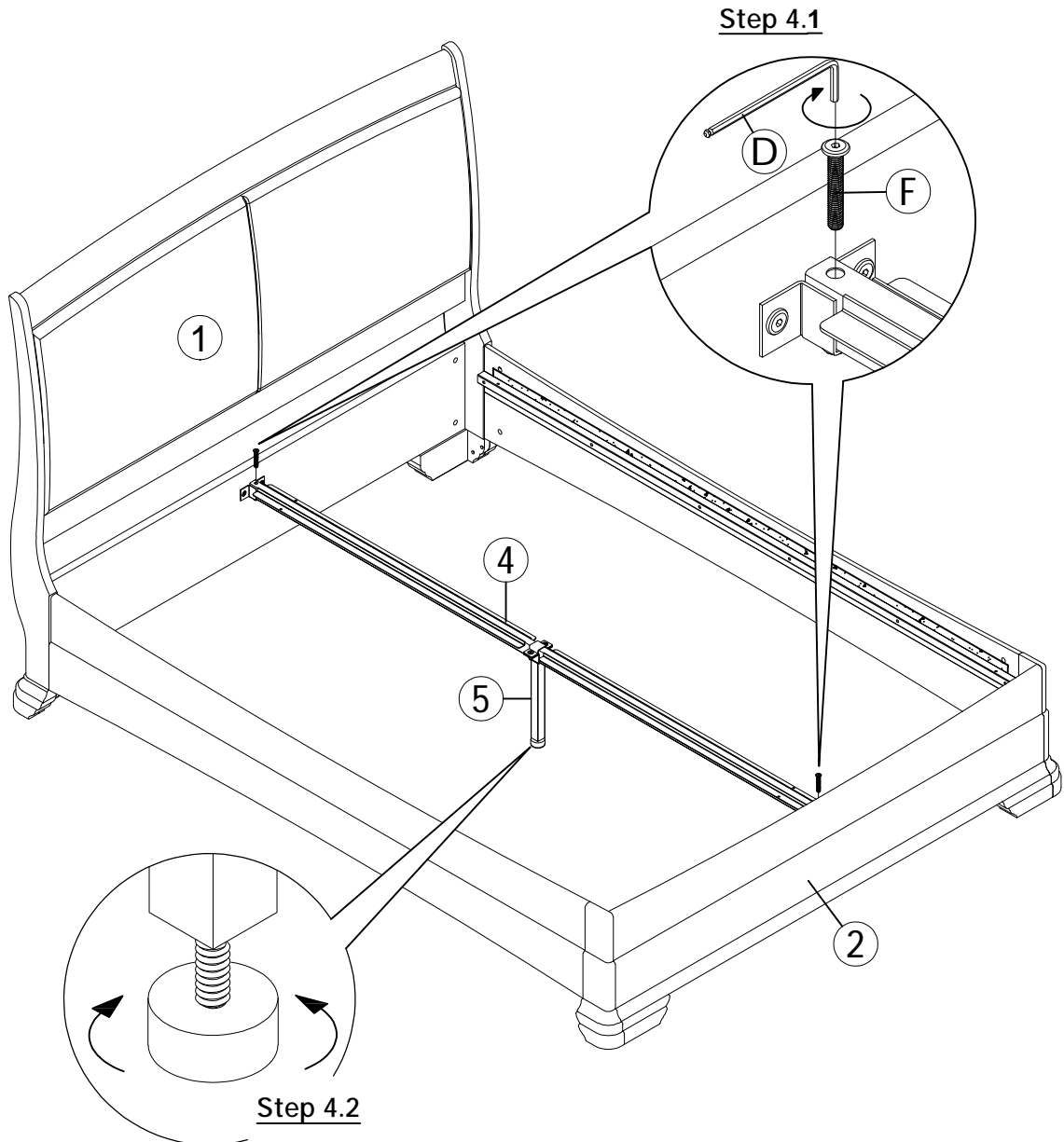
Fitting



F x 2



D x 1



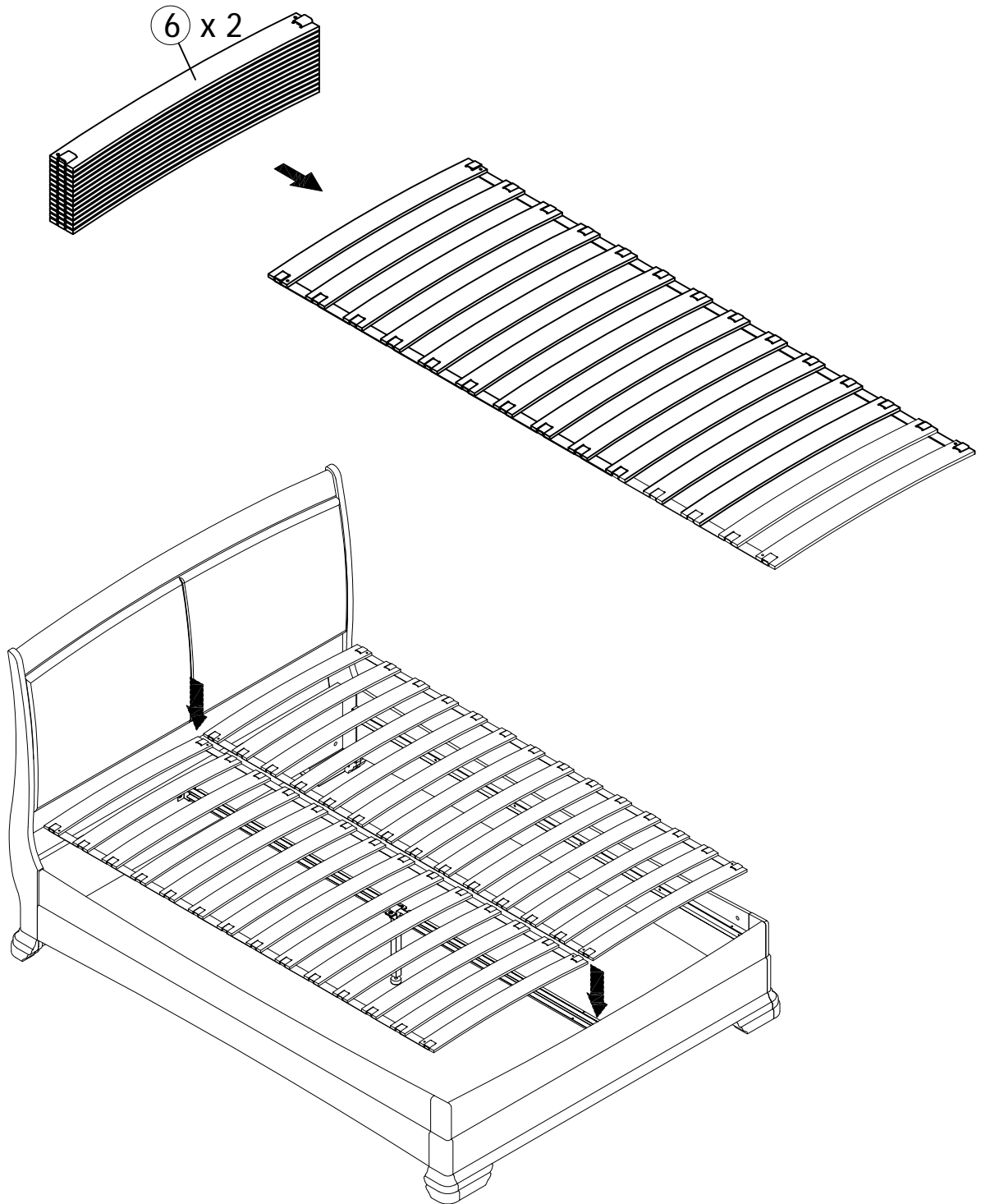
Adjustable center leg

---

## Step By Step Assembly Instructions

---

**Step 5** Spread out slat frame (6) and place slat frame (6) on the fully structure assembled in step 4 as shown.



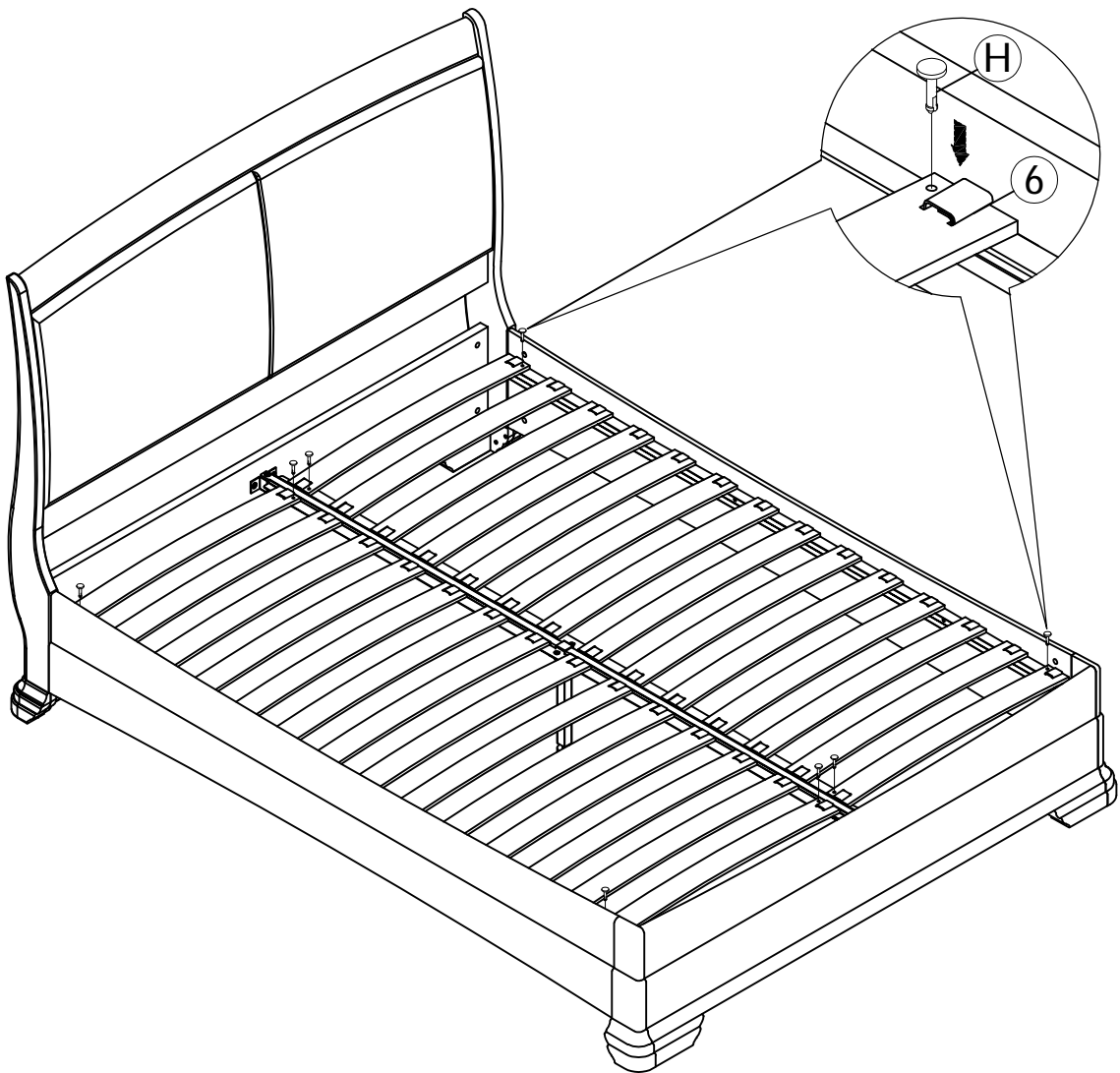
# Step By Step Assembly Instructions

**Step 6** Secure slat frame (6) into the pre - drilled holes on supports of side frames (3) and pre - drilled holes on center rails (4) by using 8x (H) plugs as shown.

Fitting



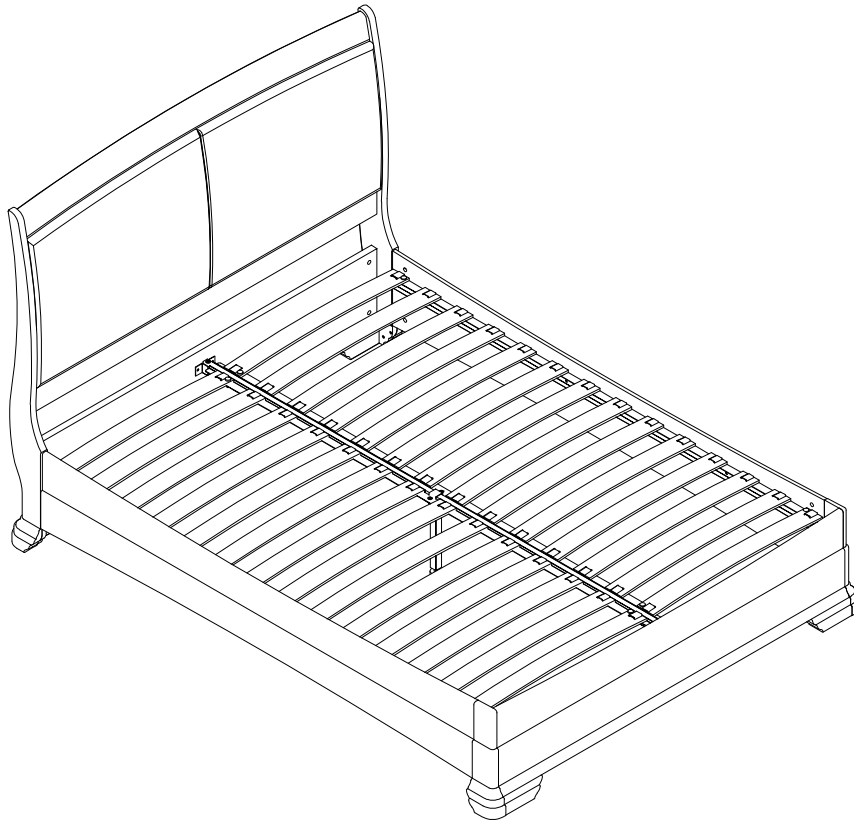
H x 8



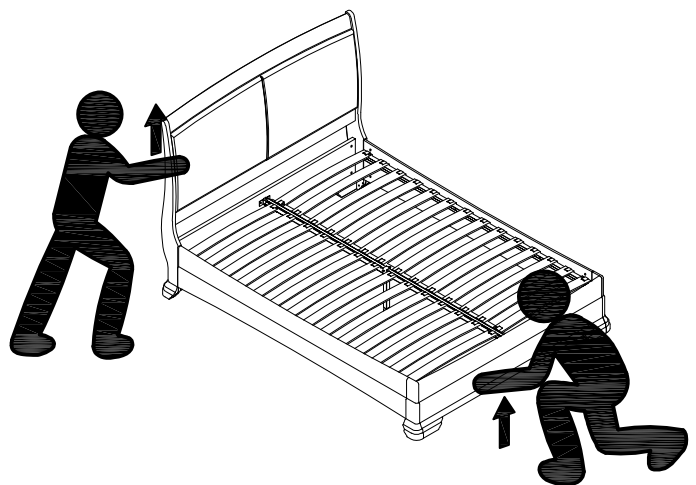
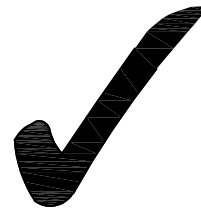
---

## CAUTION: To Relocate Bed

---



CAUTION: DO NOT PULL ON SIDE RAIL



CAUTION: LIFT TO RELOCATE BED