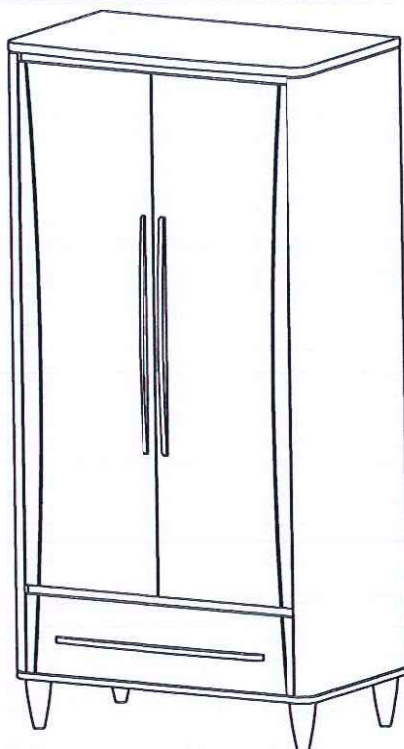


DOUBLE WARDROBE

Stock number: 2807-82

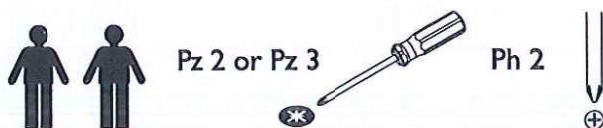
Thank you for purchasing this product. Please read the instructions carefully before use to ensure safe and satisfactory assembly of this product.



Pre-assembly preparation

Please ensure instructions are read in full before attempting to assemble this product.

Necessary Tools : Pozi screwdriver and Phillips screwdriver



(Included)



Please check the pack contents before attempting to assemble this product. A full checklist of components is given in this leaflet. If any components are missing, please contact the retailer from whom you bought this product.

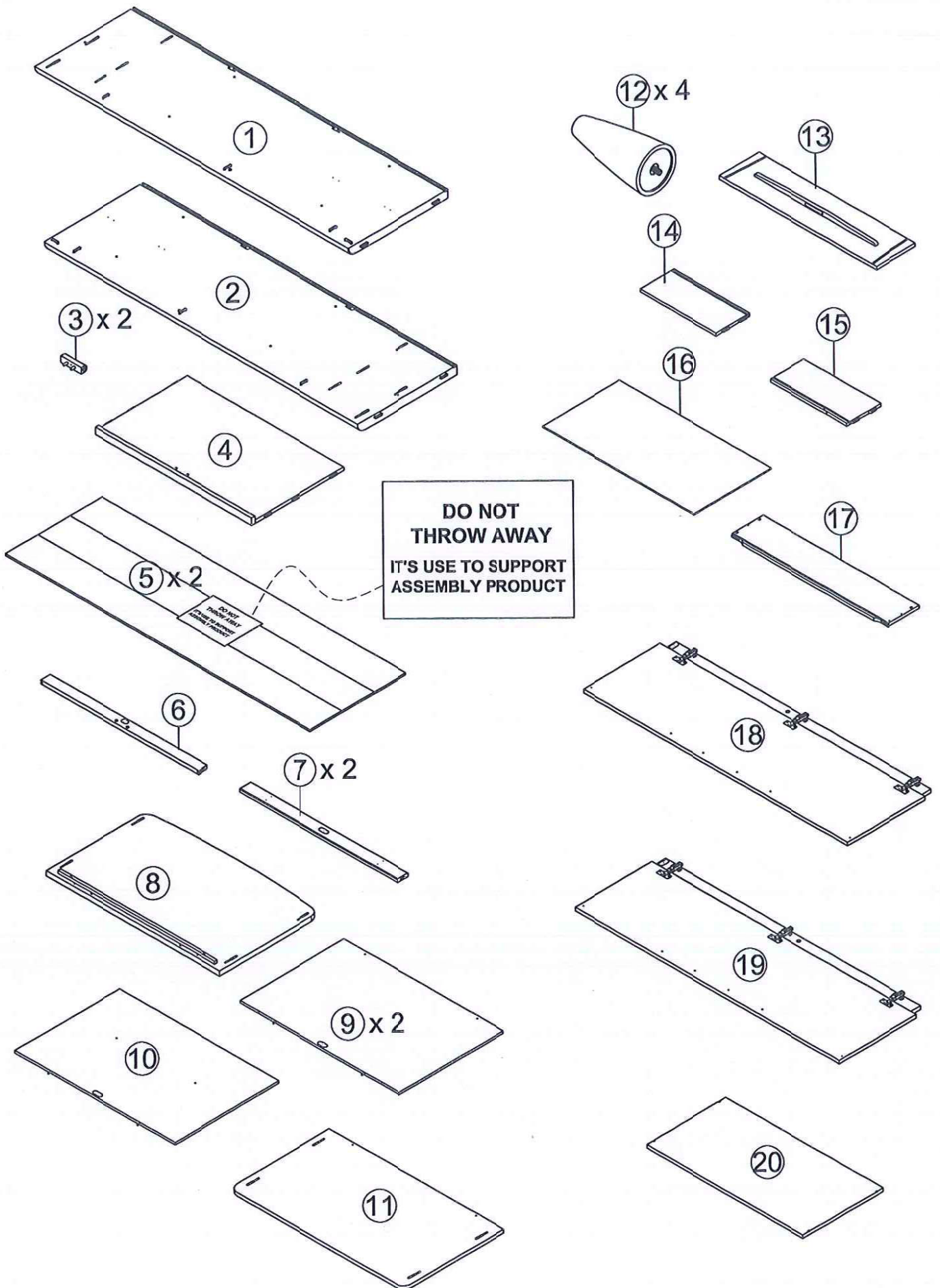
This product takes approximately **30-40 MINUTES** to assemble with **2 PEOPLE**.

All assembly should be performed on a flat, stable, clean and soft surface.

This product is **HEAVY**, it should be assembled as near as possible to the point of use. **TAKE CARE WHEN LIFTING** to avoid personal injury and (or) damage to the product.

The fitting pack contains **SMALL ITEMS** which should be **KEPT AWAY FROM YOUNG CHILDREN**.






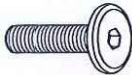






IMPORTANT: Retain these instructions for future reference.



Fittings and parts checklist

Item	Description	Qty.	Item	Description	Qty.
1	Side panel right	x 1	11	Bottom Panel	x 1
2	Side panel left	x 1	12	Leg	x 4
3	Wood stopper	x 2	13	Drawer front	x 1
4	Fixed shelf frame	x 1	14	Drawer side left	x 1
5	Honeycomb used as support for Assembly	x 2	15	Drawer side right	x 1
6	Top front rail	x 1	16	Drawer bottom	x 1
7	Middle back rail	x 2	17	Drawer back	x 1
8	Top frame	x 1	18	Door frame left	x 1
9	Back panel A	x 2	19	Door frame right	x 1
10	Back panel B	x 1	20	Removable shelf	x 1

Fittings and parts checklist

A	Hanger rail support		x 4	G	Tandem runner right		x 1
B	Varianta screw Ø4.2 x 13.5mm		x 8	H	Hi-Lo Screw Ø4 x 38mm		x 2
C	Round head screw Ø4 x 25mm		x 2	J	Hex head bolt M6 x 25mm		x 2
D	Hi-Lo Screw Ø4 x 50mm		x 8	K	Allen key M4x30x110		x 1
E	Round head screw Ø4 x 30mm		x 4	L	Shelf pin		x 4
F	Tandem runner left		x 1	M	Clothes Rail Bar		x 1

Step by step assembly instructions

- Step 1**
- 1.1 : Lay all parts onto a flat, stable, clean and soft surface.
 - 1.2 : Attach 4x hanger rail supports (A) onto the pre-drilled holes on side panels (1) & (2) using 8x varianta screws (B) as shown. Use a screwdriver to turn fittings (B) clockwise to fix.

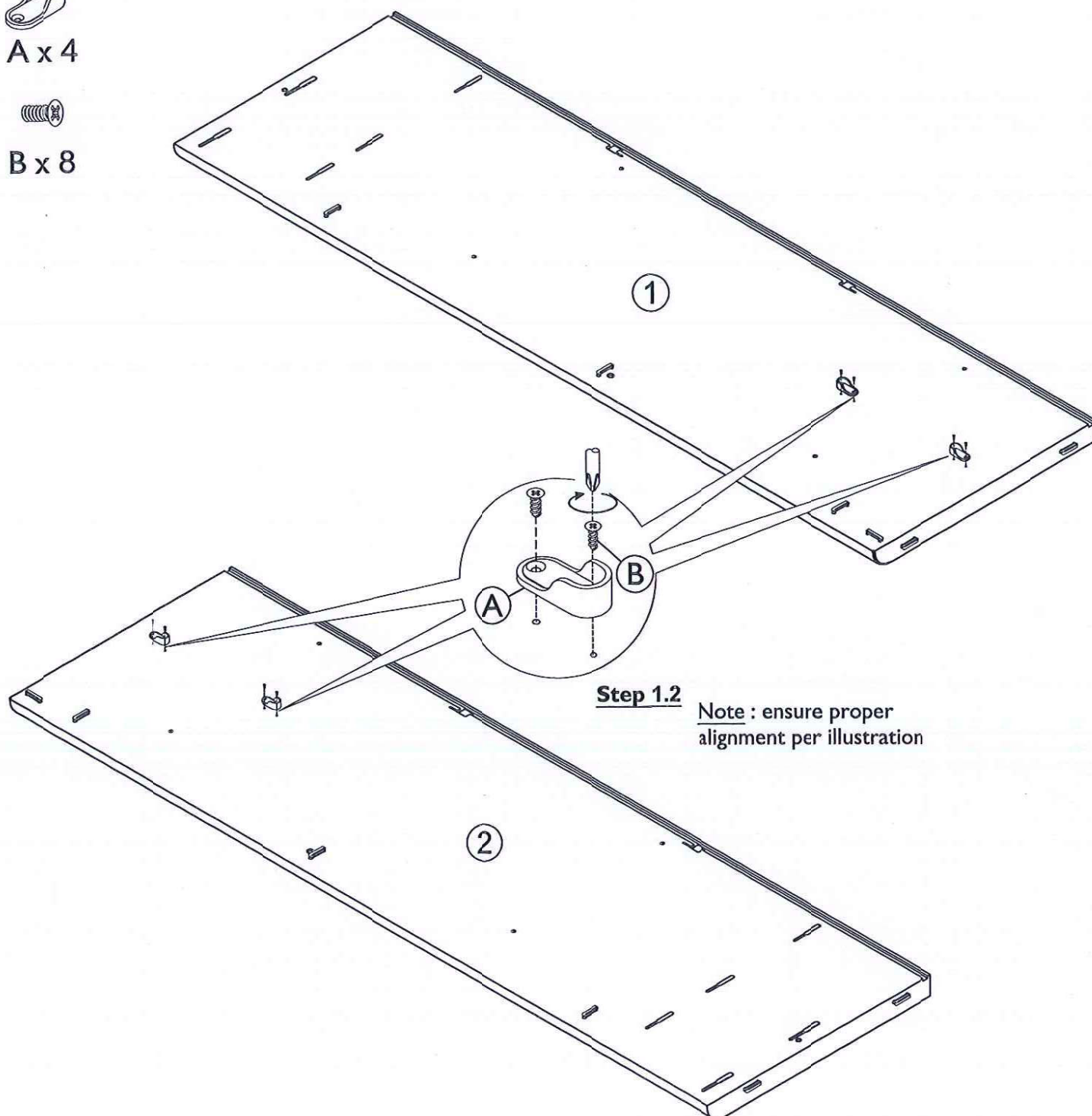
Fitting



A x 4



B x 8



Step 1.2

Note : ensure proper alignment per illustration

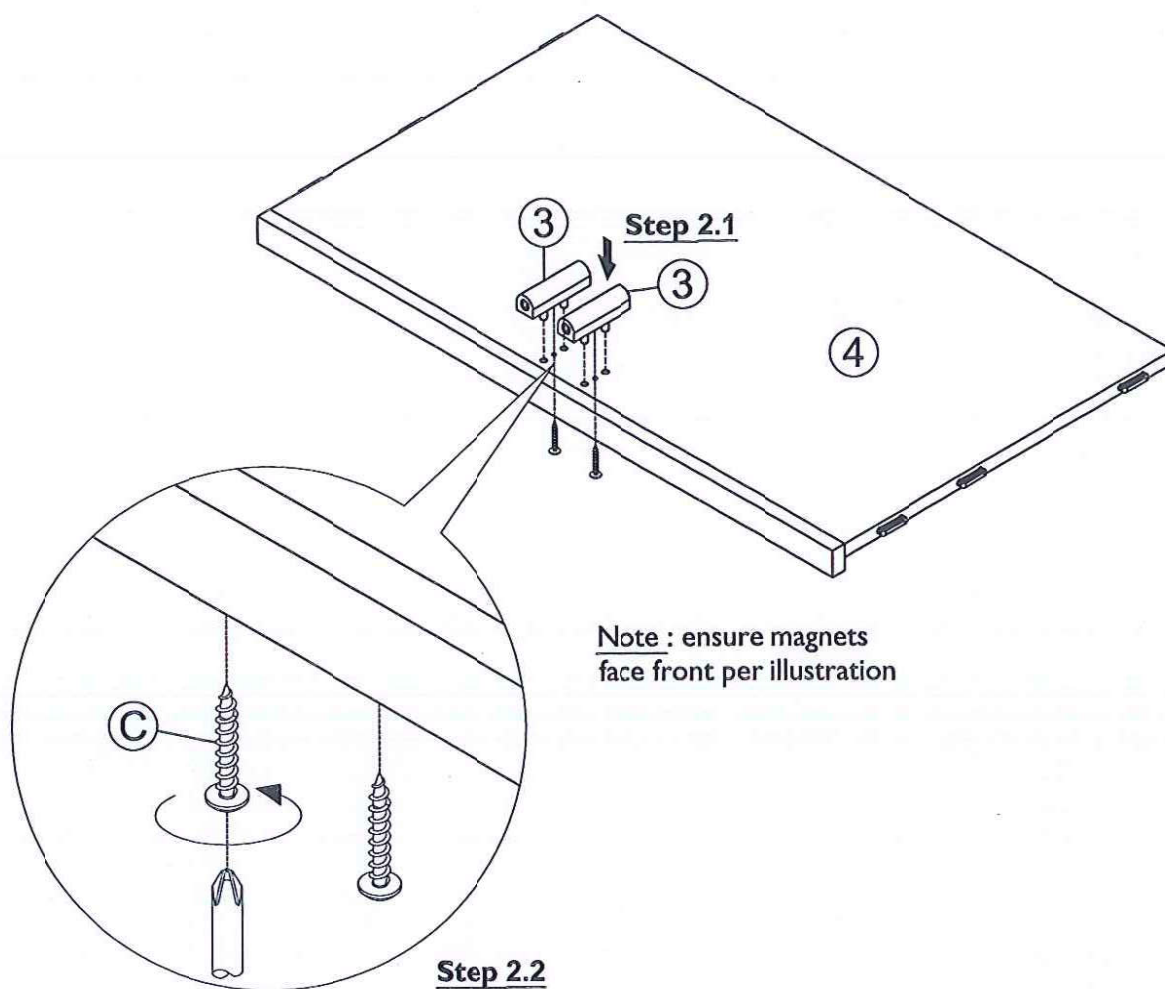
Step by step assembly instructions

- Step 2** 2.1 : Attach wood stoppers (3) onto fixed shelf frame (4) as shown. Ensure wooden dowels are aligned correctly with the holes of mating parts before attaching.
- 2.2 : Secure parts (3) to part (4) using 2x round head screws (D). Use a screwdriver to turn fittings (C) clockwise to fix.

Fitting

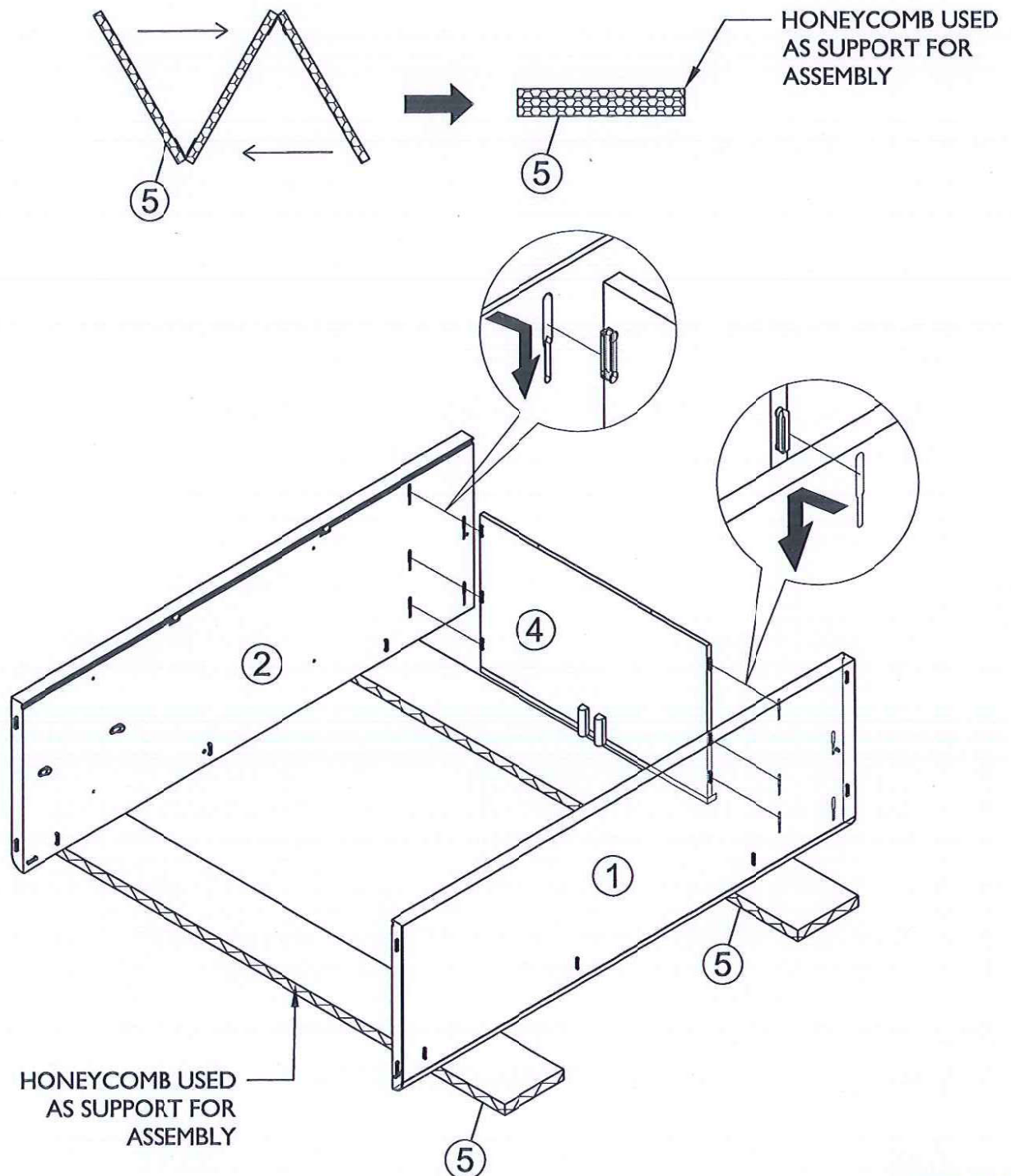


C x 2



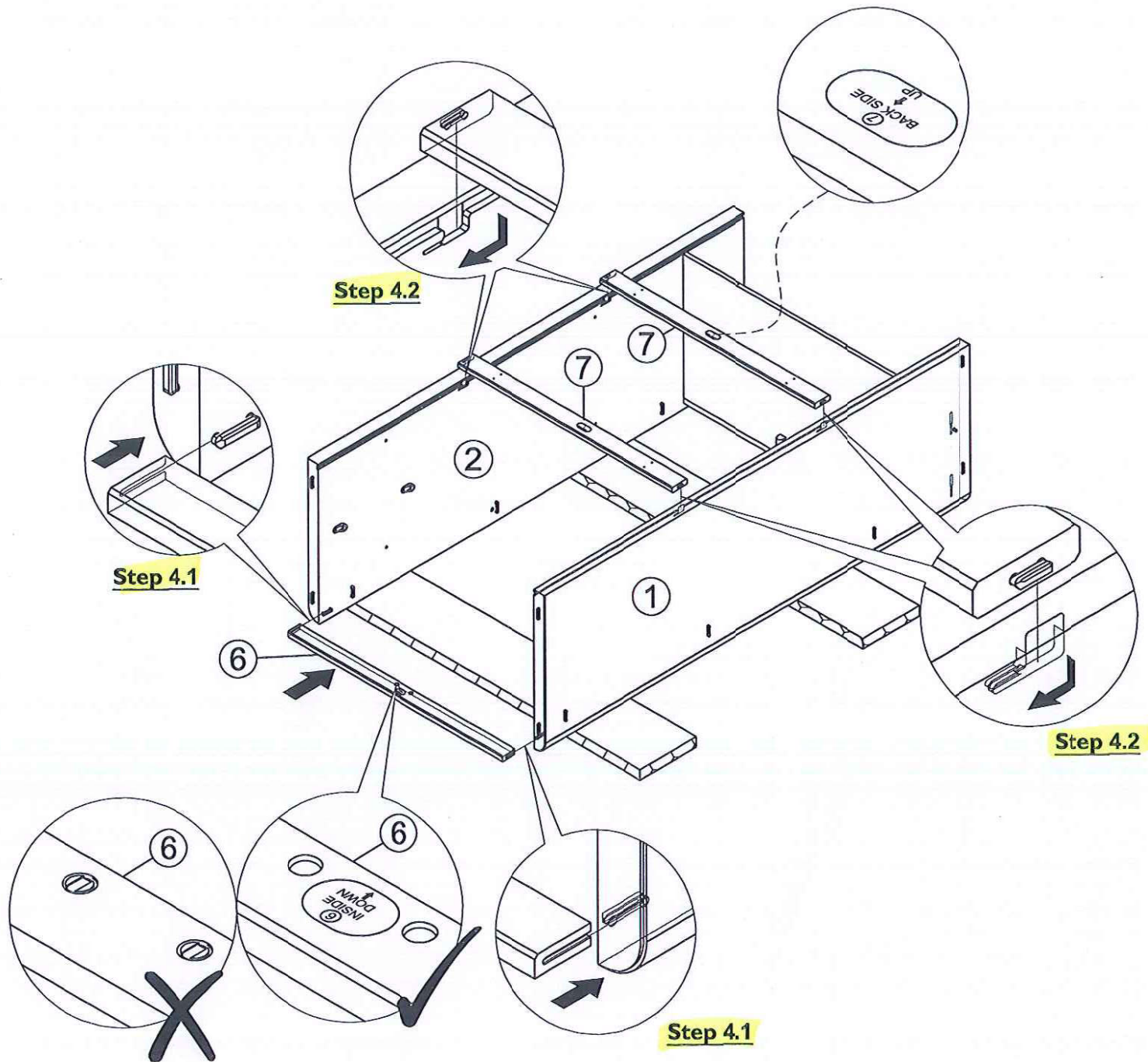
Step by step assembly instructions

- Step 3** Take the honeycomb sheet marked in the packaging, fold it as shown. Lay the side panel right (1) and side panel left (2) sideways on the support panels as shown. Attach fix shelf frame (4) onto side panels (1) & (2) by inserting dowels into the corresponding slots on the side panels (1) & (2). Push the fixed shelf frame (4) downward to lock dowels in place.



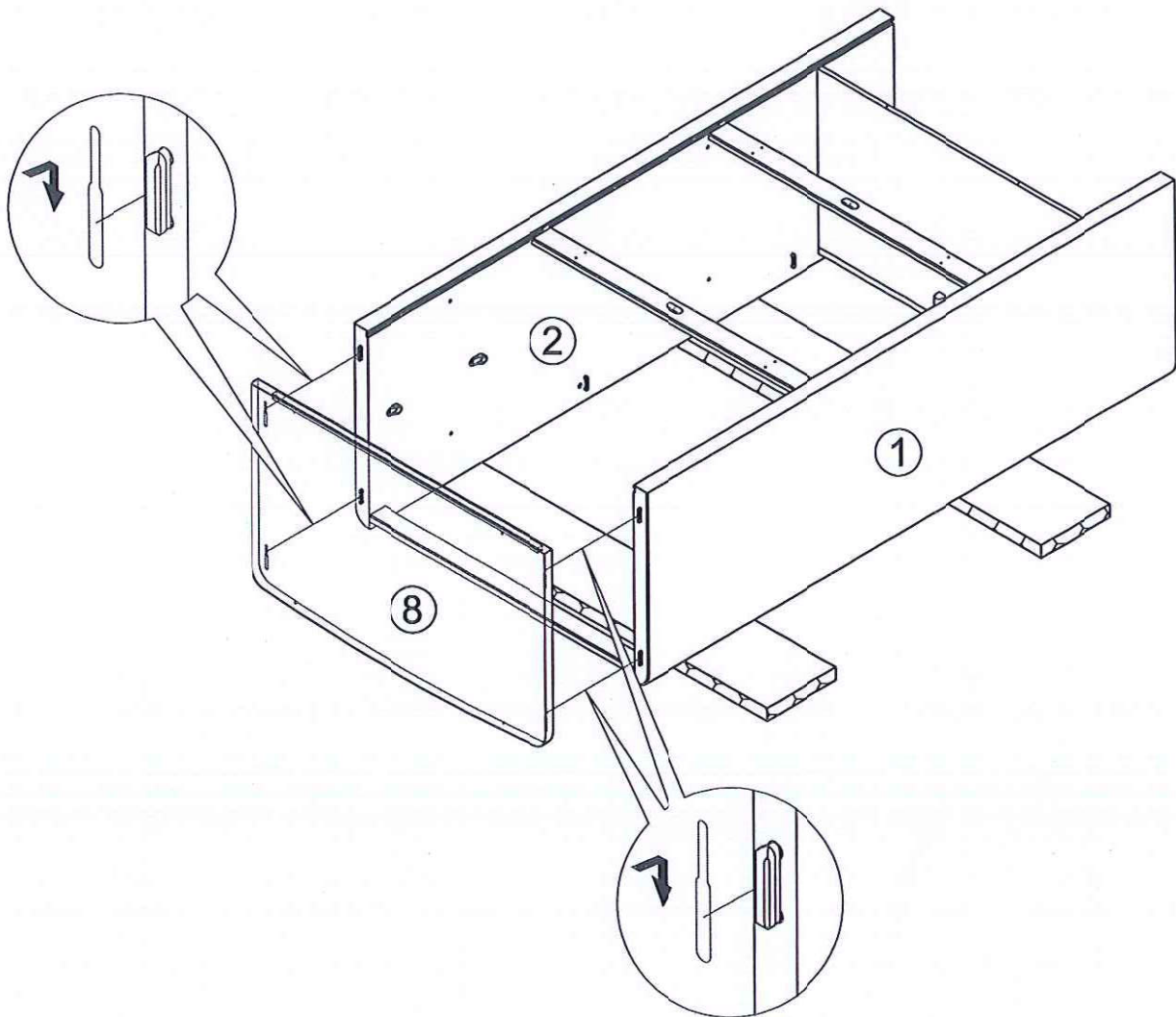
Step by step assembly instructions

- Step 4**
- 4.1: Attach top front rail (6) into side panels (1) & (2) by inserting dowels into the corresponding slots on the top front rail (6) as shown.
 - 4.2: Attach middle back rail (7) into side panels (1) & (2) by inserting dowels into the corresponding slots on the side panels (1) & (2) as shown.
Push the middle back rail (7) forward to lock dowels in place.



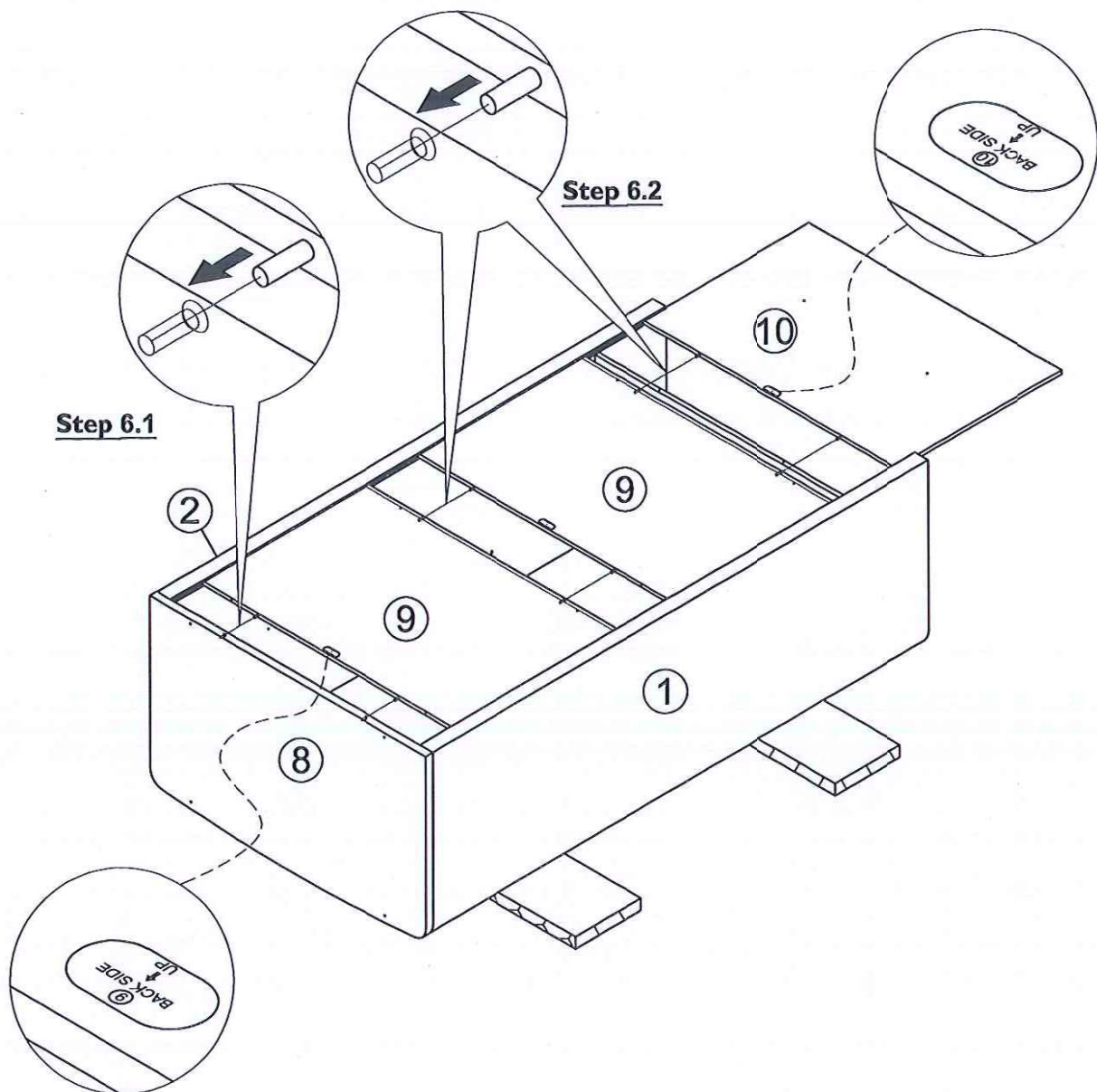
Step by step assembly instructions

Step 5 Attach top frame (8) into side panels (1) & (2) by inserting dowels into the corresponding slots on the top frame (8). Push the top frame (8) downward to lock the dowels in place, as shown.



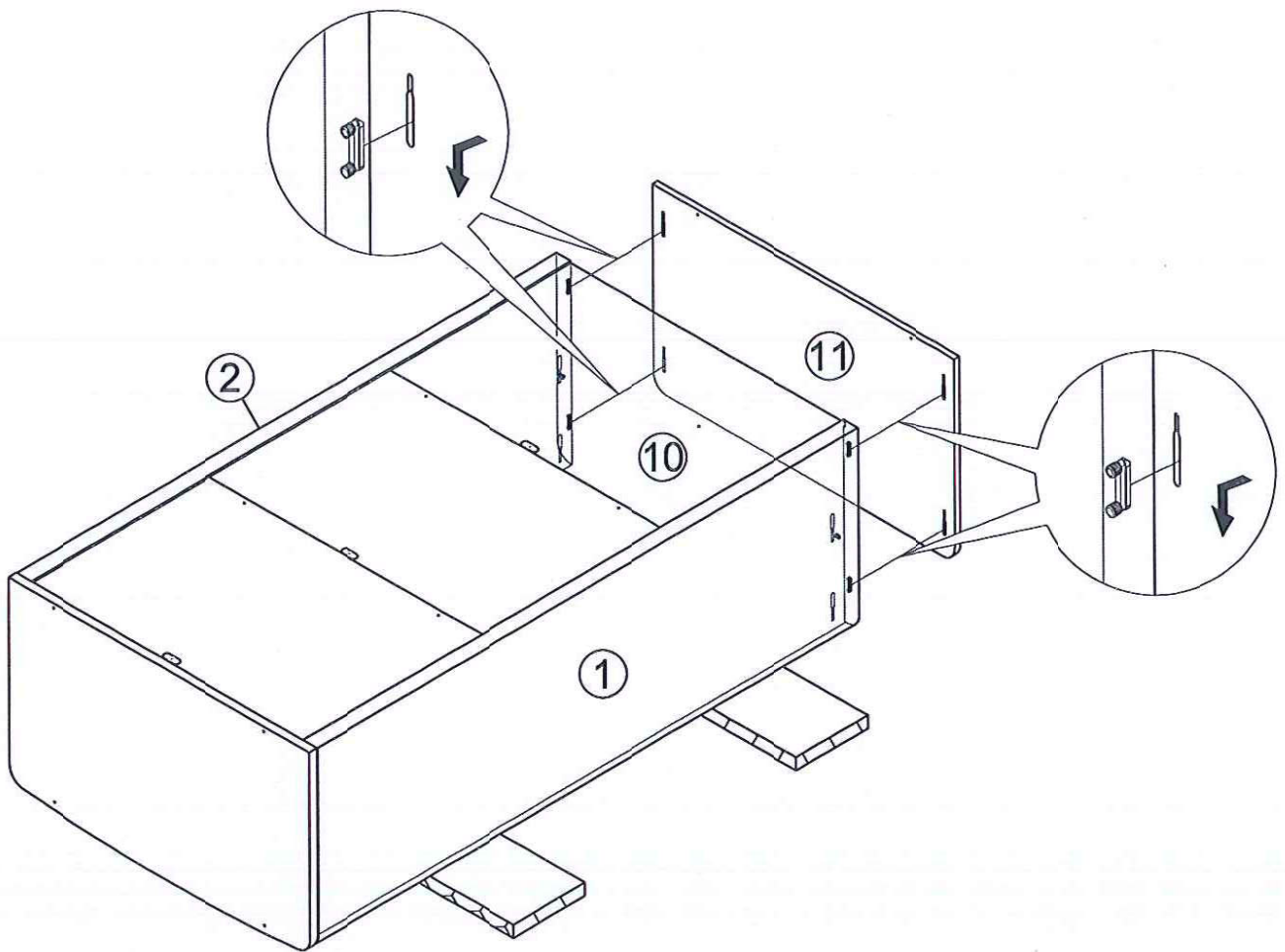
Step by step assembly instructions

- Step 6** 6.1 : Attach a back panel A (9) onto the structure assembled in **Step 5** as shown. Ensure back panel A (9) is inserted into the groove in the side panels and spring pin is inserted correctly into the drilled holes.
- 6.2 : Continue, attach back panel A (9) and back panel B (10) onto the structure assembled in **Step 5** as shown. Ensure the back panels are inserted into the groove in the side panels and spring pin are inserted correctly into the drilled holes.



Step by step assembly instructions

Step 7 Attach bottom panel (11) by inserting the back panel B (10) onto the structure assembled in **Step 6** as shown. Ensure dowels are locked in place.



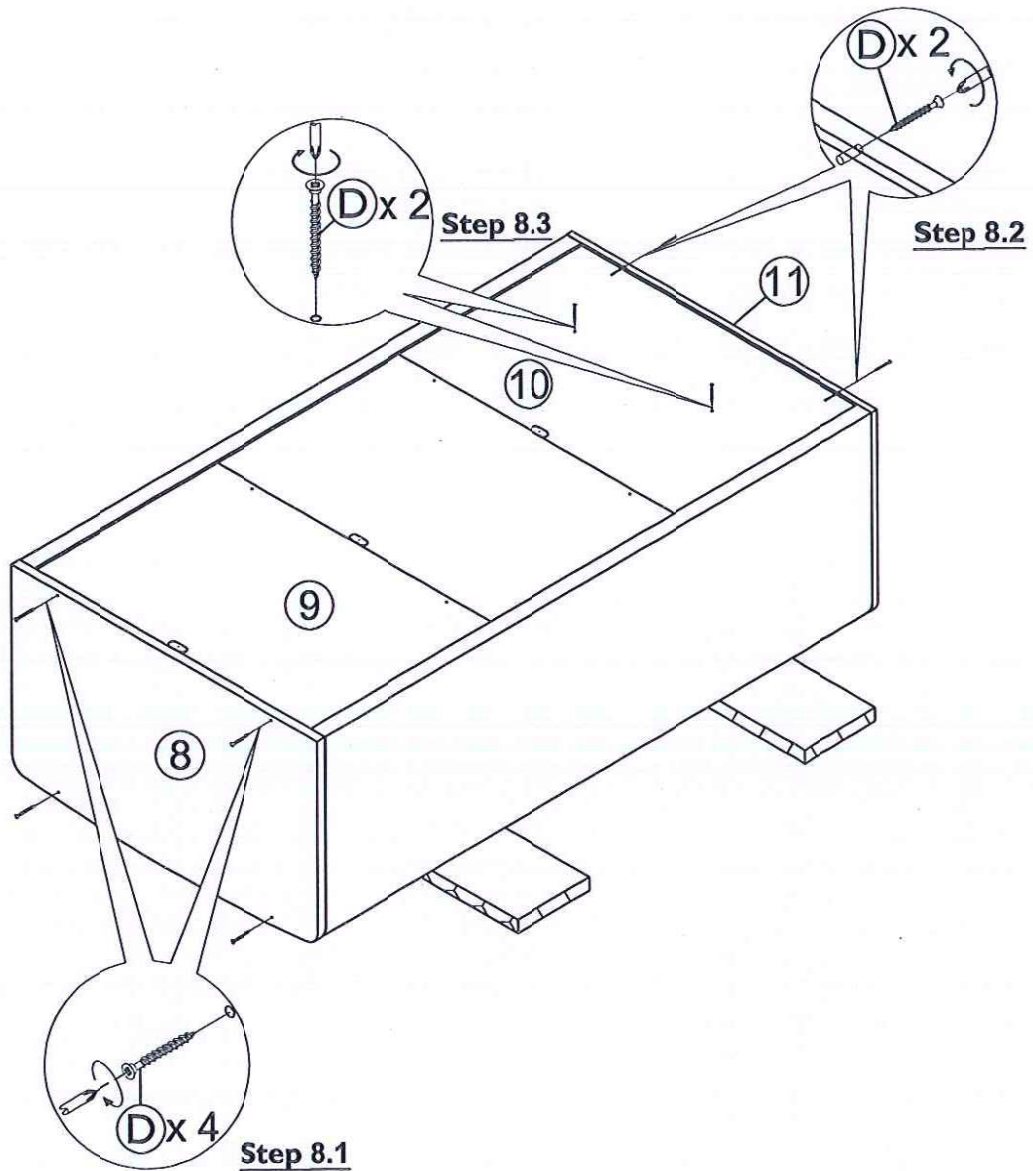
Step by step assembly instructions

- Step 8**
- 8.1 : Secure top frame (8) to part (9) using 4x Hi-Lo screws (D) as shown. Use a pozi screwdriver to turn fittings (D) clockwise fix.
 - 8.2 : Secure bottom panel (11) to part (10) using 2x Hi-Lo screws (D) as shown. Use a pozi screwdriver to turn fittings (D) clockwise fix.
 - 8.3 : Secure part (10) to part (4) using 2x Hi-Lo screws (D) as shown. Use a pozi screwdriver to turn fittings (D) clockwise fix.

Fitting



D x 8



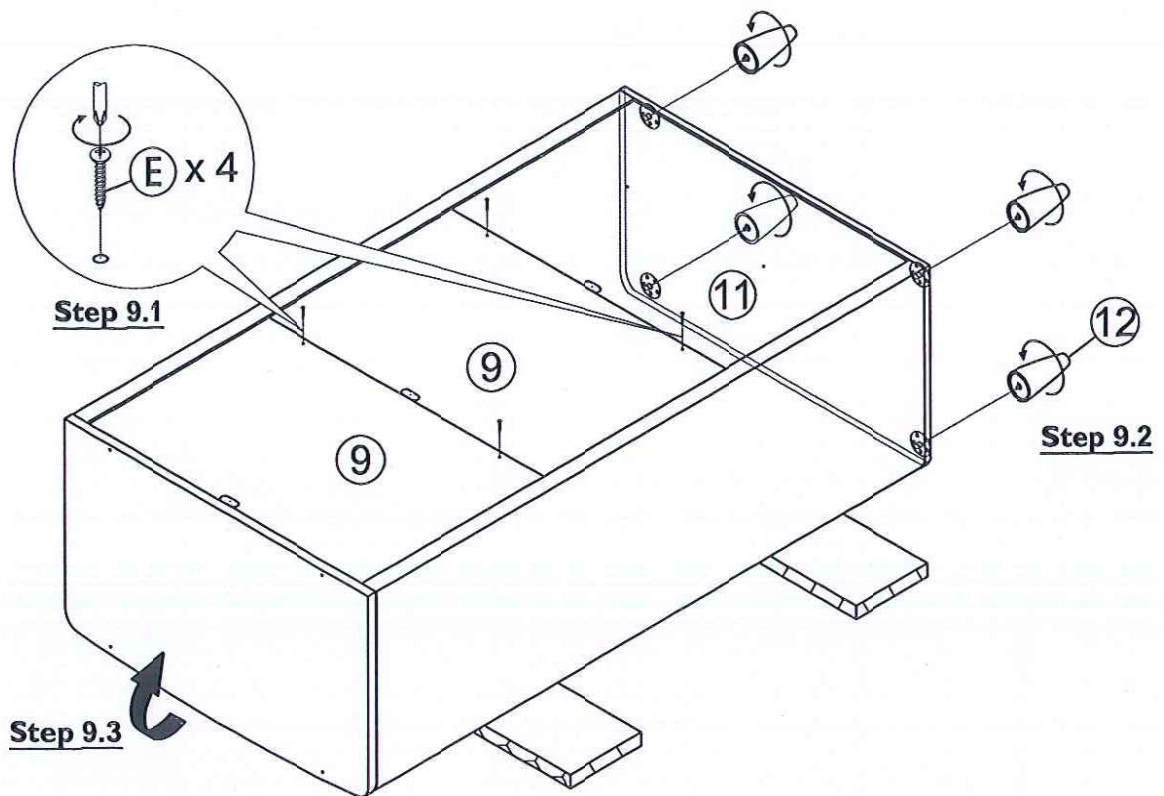
Step by step assembly instructions

- Step 9**
- 9.1 : Secure parts (9) to parts (7) using 4x round head screw (E) as shown. Use a screwdriver to turn fittings (E) clockwise fix.
- 9.2 : Screw each leg (12) into the mounting plate on the bottom panel (11) as shown. Continue to re-tighten until it is securely fastened.
- Repeat above procedure for the remaining legs (12).**
- 9.3 : Stand the unit upright.

Fitting



E x 4



Note : lift upright
with a helper

Step by step assembly instructions

Step 10 Attach runner left (F) into the slot on side panel left (2) & runner right (G) into the slot on side panel right (1). Continue pushing the runners toward outside of cabinet to lock the latches in place.

Note : The metal edges may be sharp, please use care when attaching to the drawer.

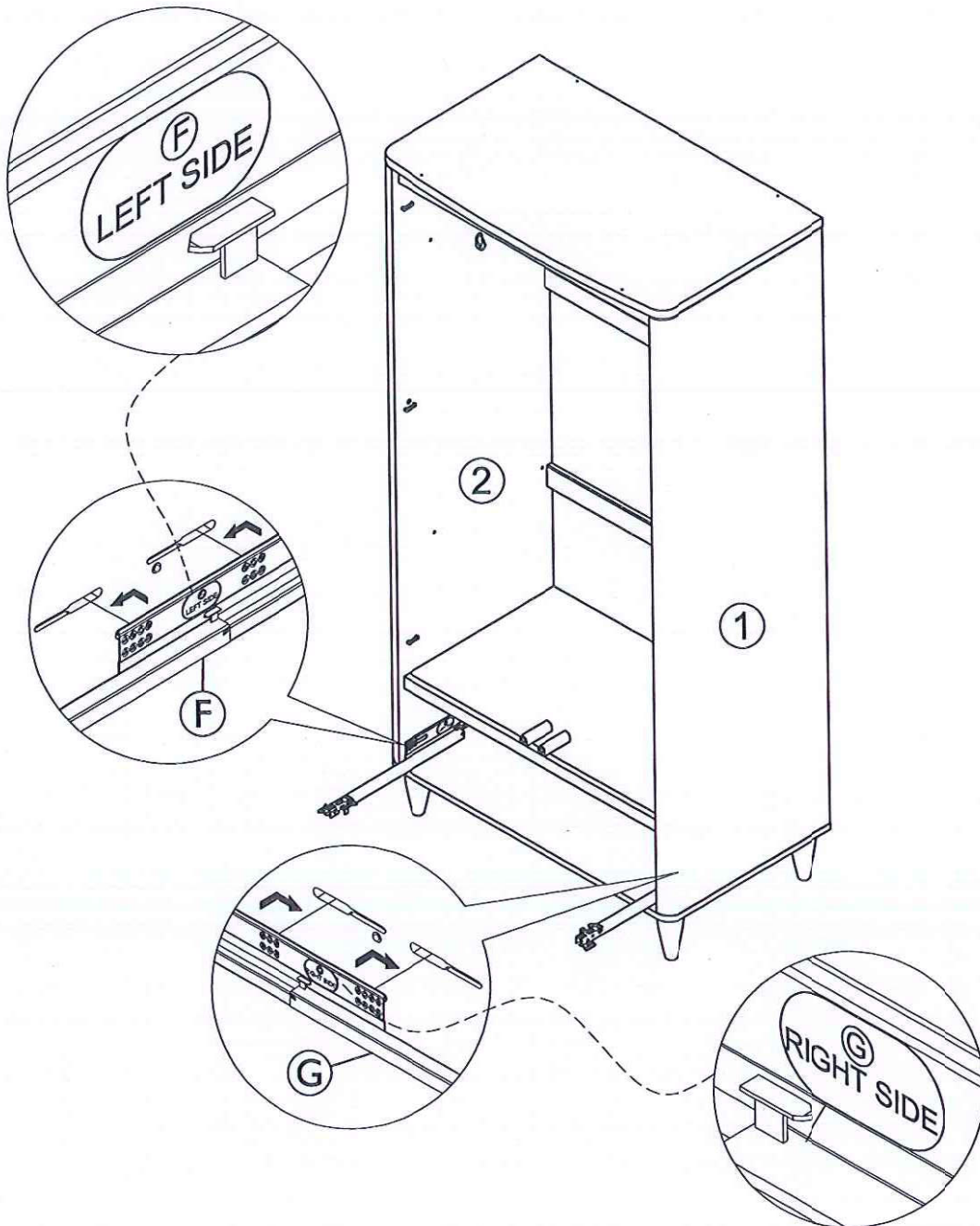
Fitting



F x 1



G x 1



Step by step assembly instructions

Step 11 Assemble the drawer:

11.1 : Lay drawer front (13) onto a flat, stable, clean and soft surface.

Attach drawer sides (14) & (15) to drawer front (13) by inserting the dowels into slots on drawer front (13). Push drawer sides (14) & (15) toward the top of drawer front (13) to lock them in place, as shown.

11.2 : Slide drawer bottom (16) into the slots inside drawer sides (14) & (15) as shown. Ensure the drawer bottom (16) are placed completely in the slot of drawer front (13).

11.3 : Attach drawer back (17) by fitting the pins on drawer sides (14) & (15) into the holes on drawer back (17) as shown. Use a pozi screwdriver to turn the 2x Hi-Lo screws (H) clockwise to secure the part (17) to the parts (14) & (15) as shown.

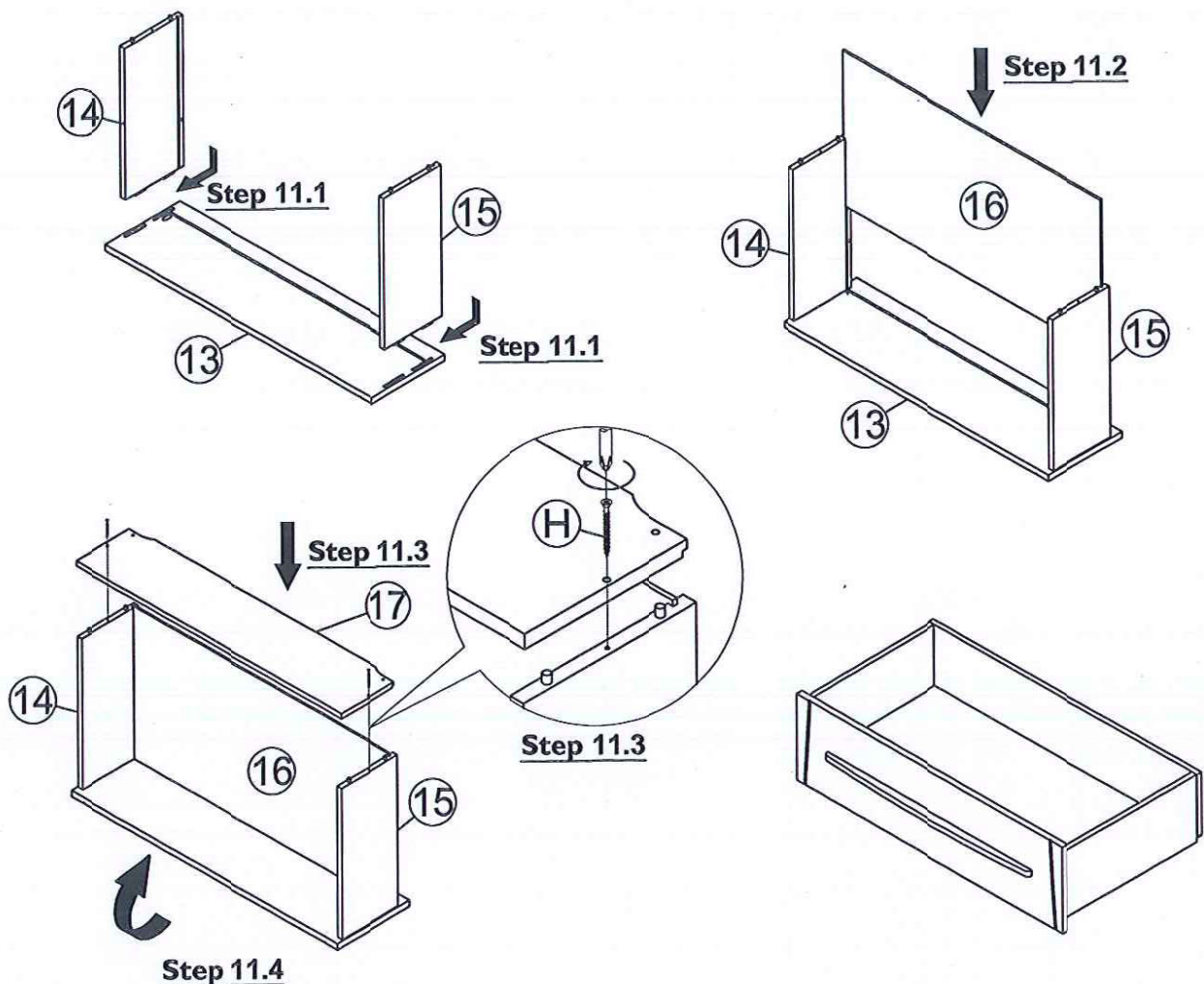
Important: This connection is permanent, so please be careful.

11.4 : Stand the drawer upright.

Fitting

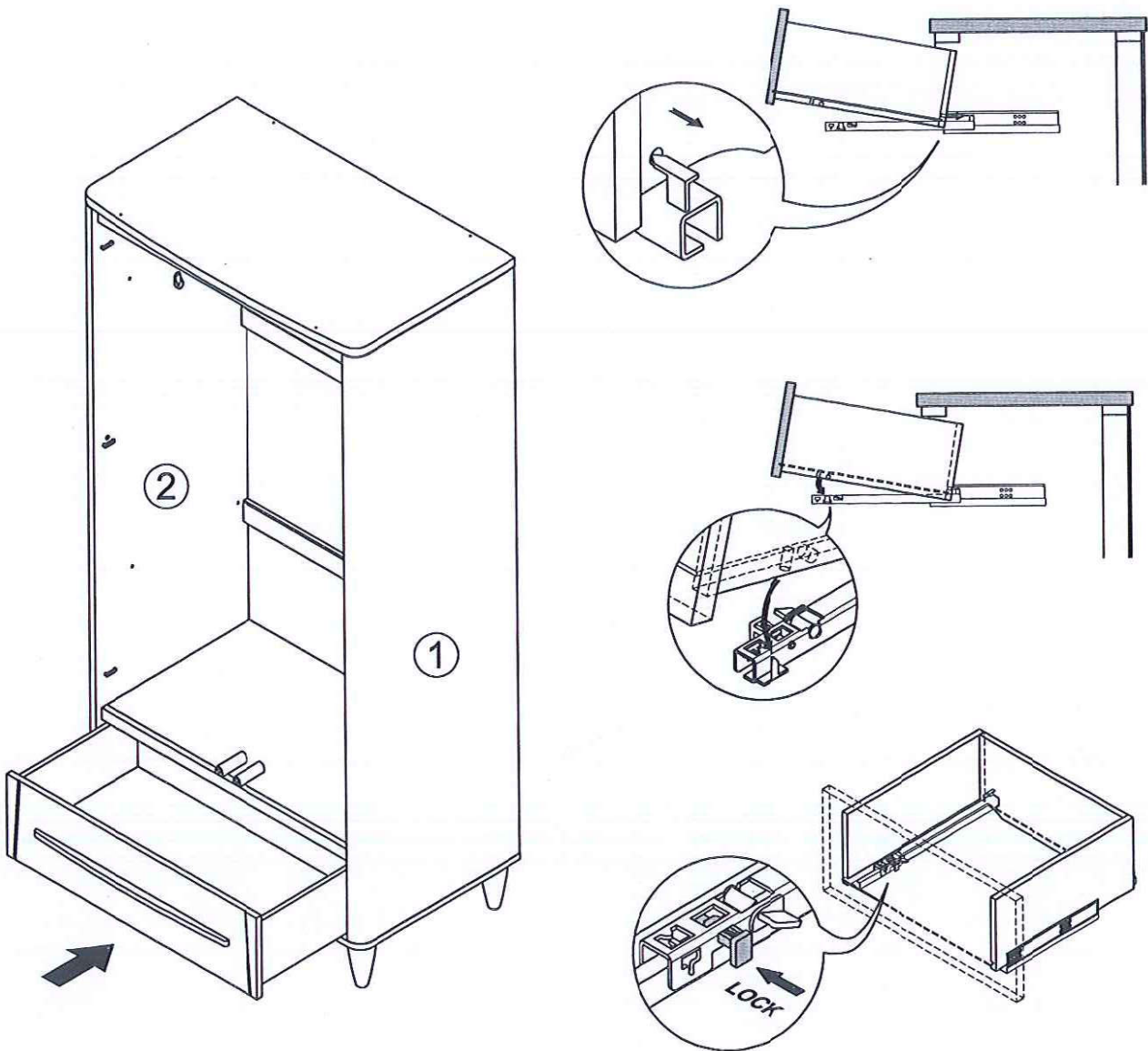


H x 2



Step by step assembly instructions

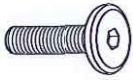
Step 12 Insert the assembled drawer in step 11 into cabinet as shown.



Step by step assembly instructions

- Step 13** 13.1 : Attach doors (18) & (19) to side panels (1) & (2) by inserting dowels into the corresponding slots on doors (18) & (19) as shown. Ensure dowels are locked in place.
13.2 : Secure doors (18) and (19) to sides panel (1) and (2) using 2x hex head bolts (J) into the recessed fittings located on parts (1) and (2) as shown.
Make sure the holes on the doors are properly aligned with the holes on the side panels (1) & (2) before attaching. Use allen key (K) to turn the fittings (J) clockwise to fix.

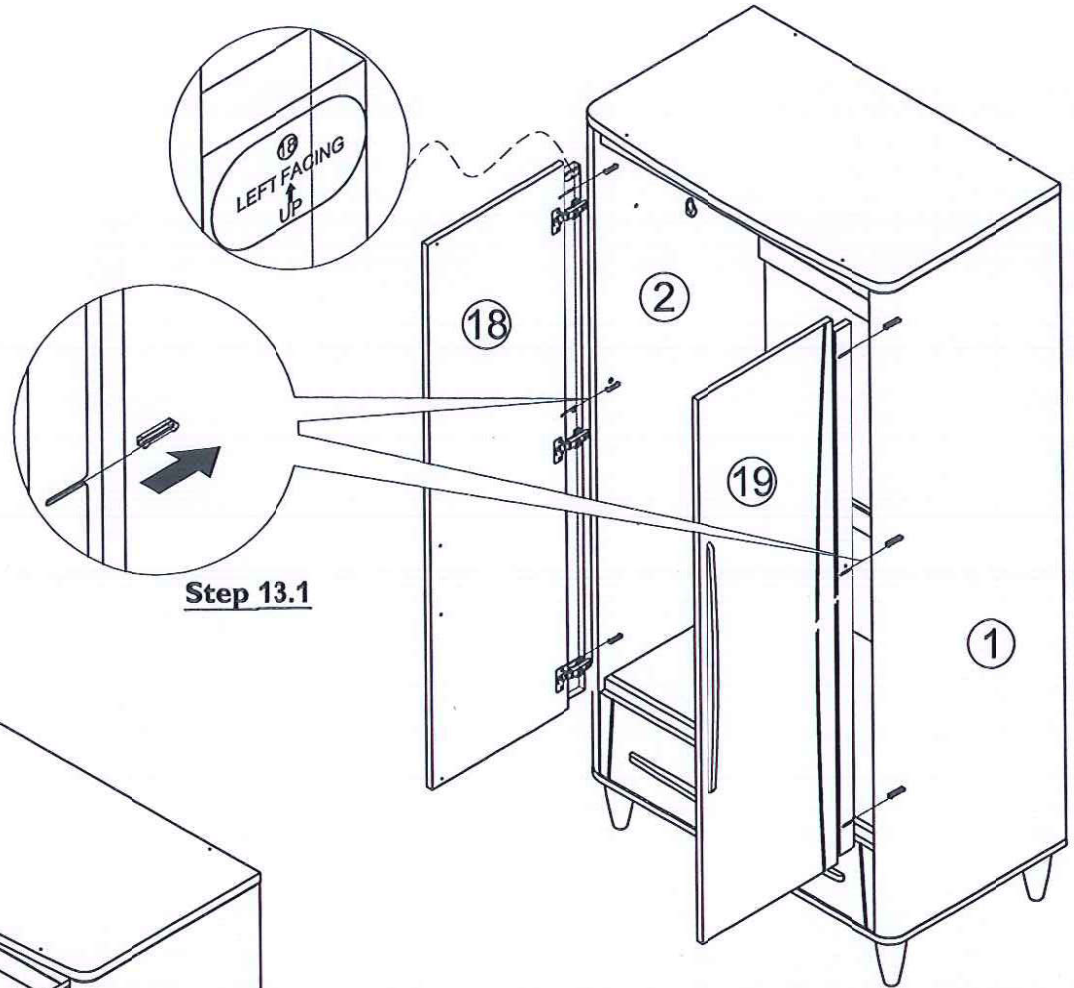
Fitting



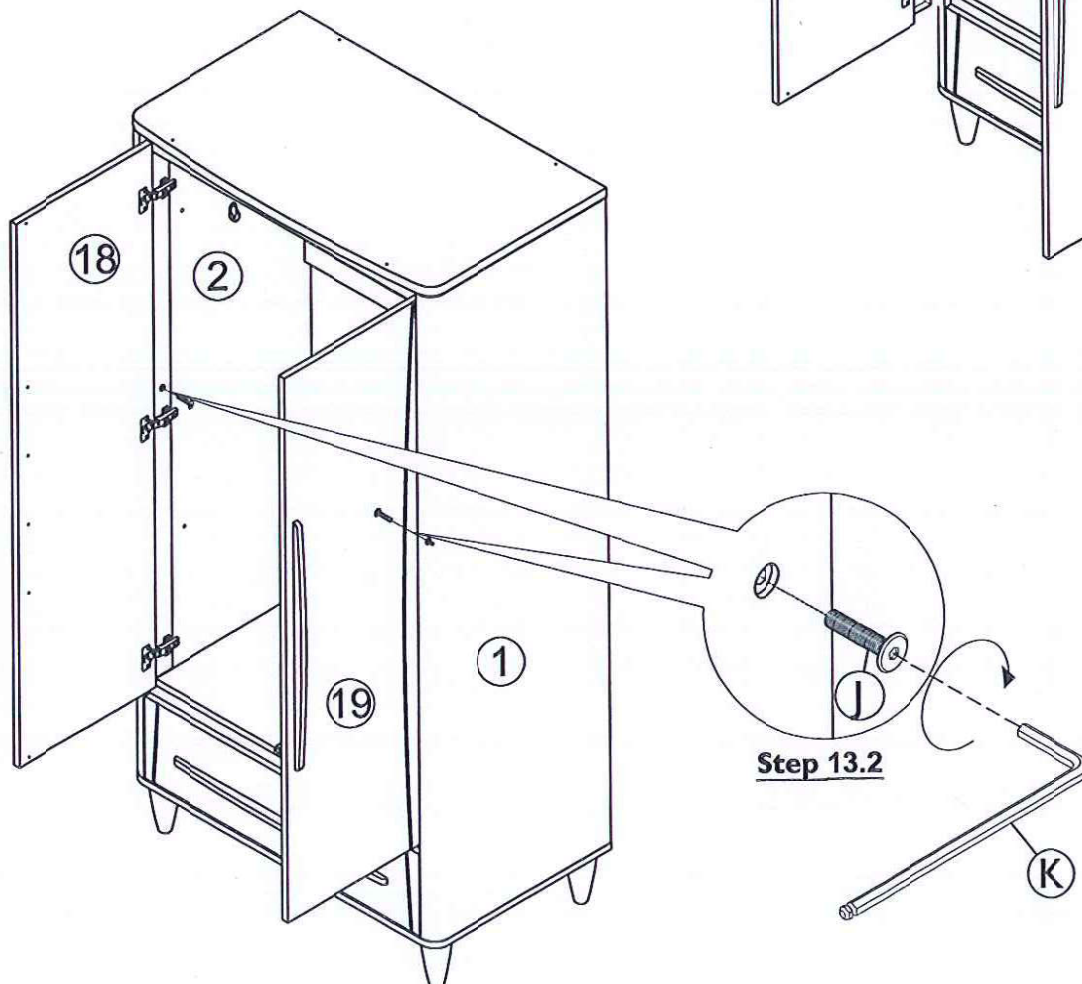
J x 2



K x 1



Step 13.1



Step 13.2

Step by step assembly instructions

- Step 14**
- 14.1 : Screw 2x shelf pins (L) into the insert fittings in left side panel (2) as shown.
 - 14.2 : Tilt removable shelf (20) to a suitable angle as shown in the picture so as to slide it in.
 - 14.3 : Slide removable shelf (20) into the cabinet. Ensure the holes on removable shelf (20) are facing down, then lower the left side of part (20) onto the pins of shelf pins (L) as shown.
 - 14.4 : Lift up right side of removable shelf (20).
 - 14.5 : Screw 2x shelf pins (L) into the insert fittings in right side panel (1) as shown.
 - 14.6 : Lower removable shelf (20) onto the pins of shelf pins (L) as shown.
 - 14.7 : Place clothes rail bar (M) onto hanger rail supports (A) on left & right sides of cabinet as shown.
- Note :** clothes rail bar (M) can be installed in both up and down of the cabinet.

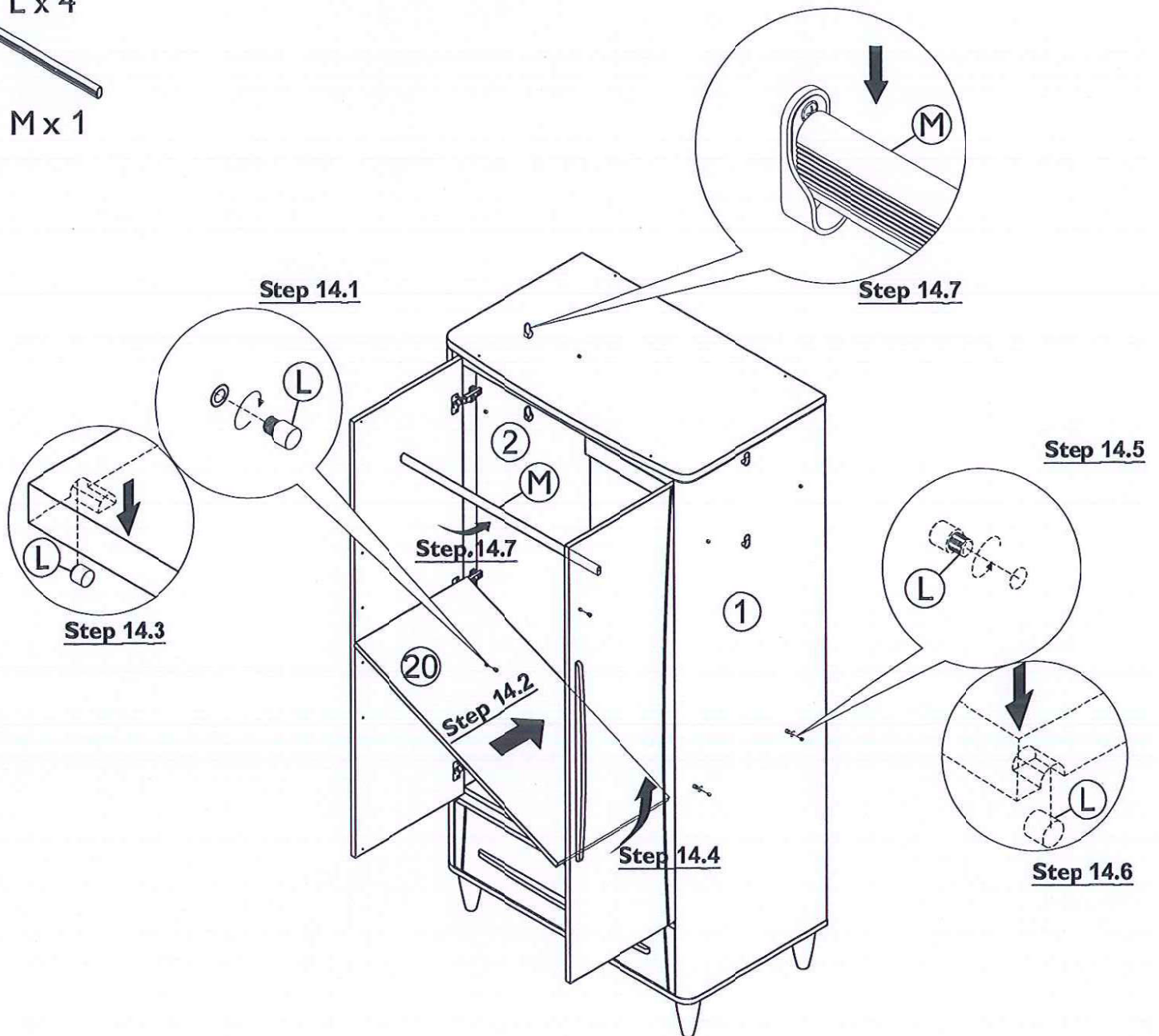
Fitting



L x 4

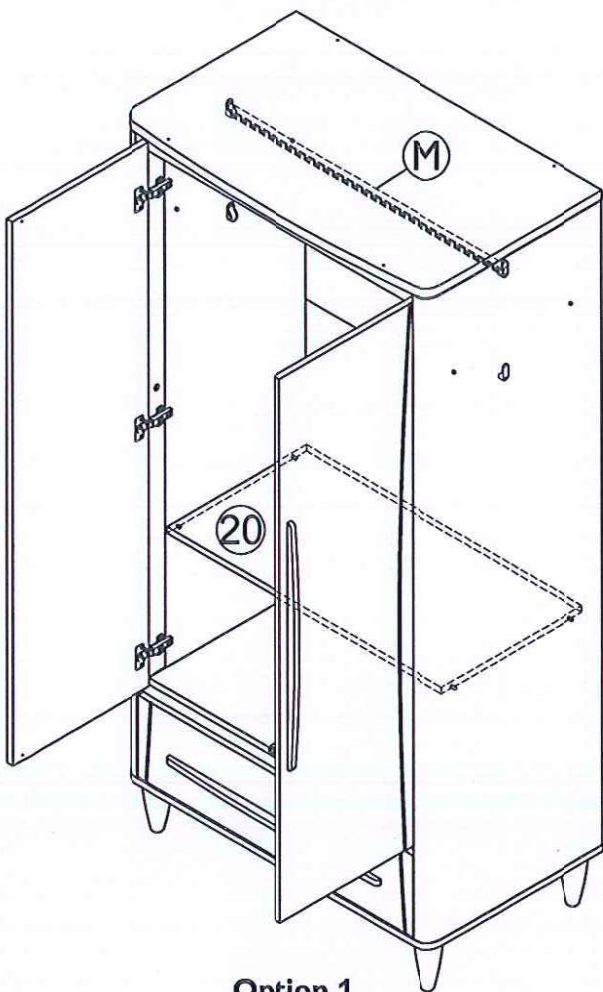


M x 1

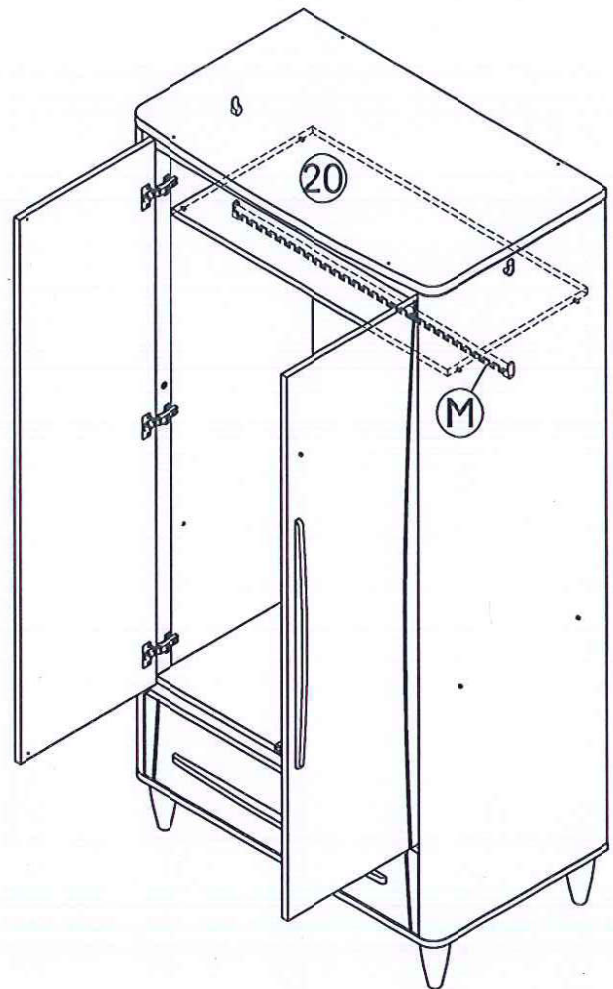


Step by step assembly instructions

Note : The clothes rail (M) and removable shelf (20) can be installed into the wardrobe in 2 ways as shown.



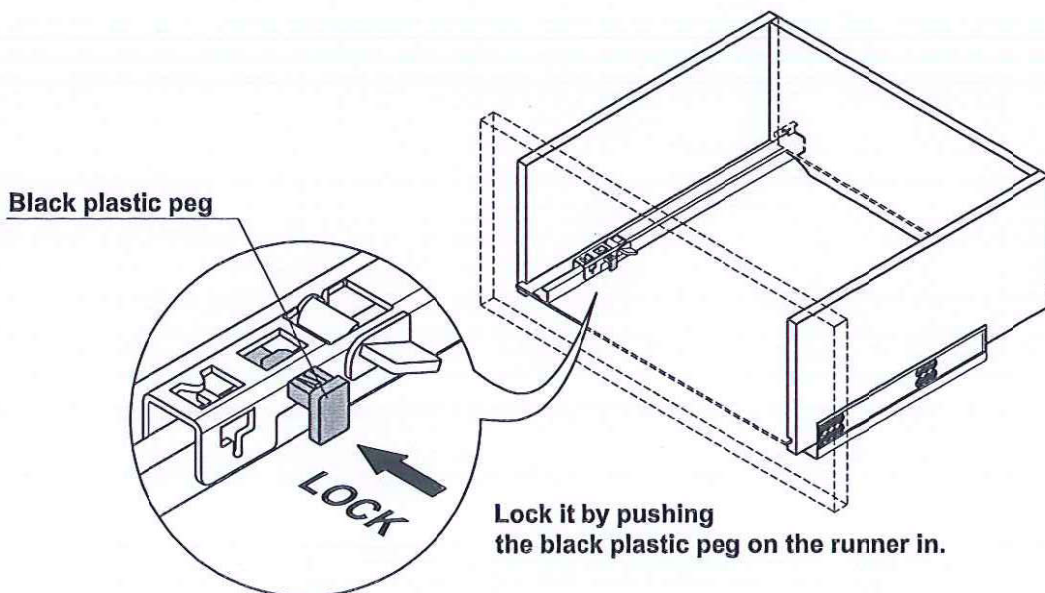
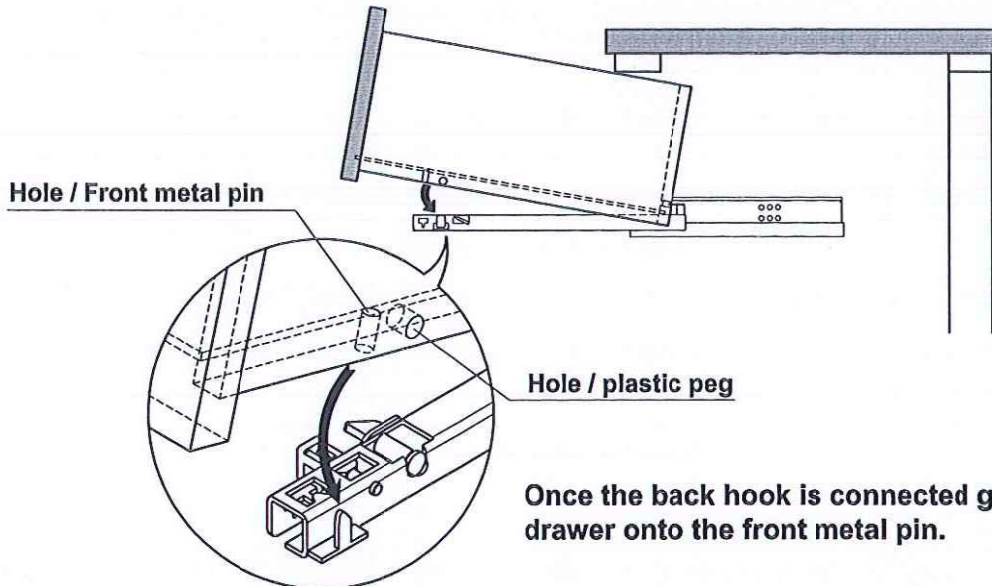
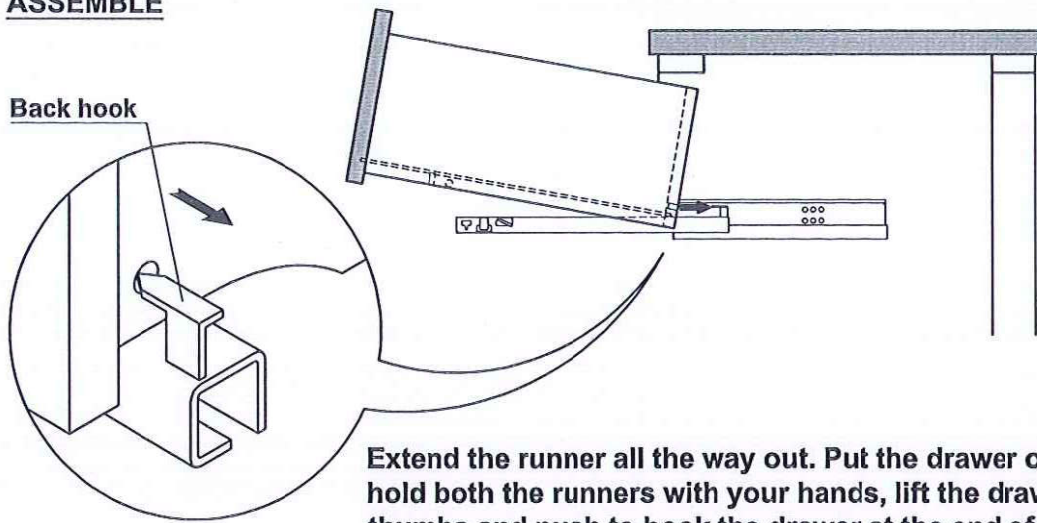
Option 1



Option 2

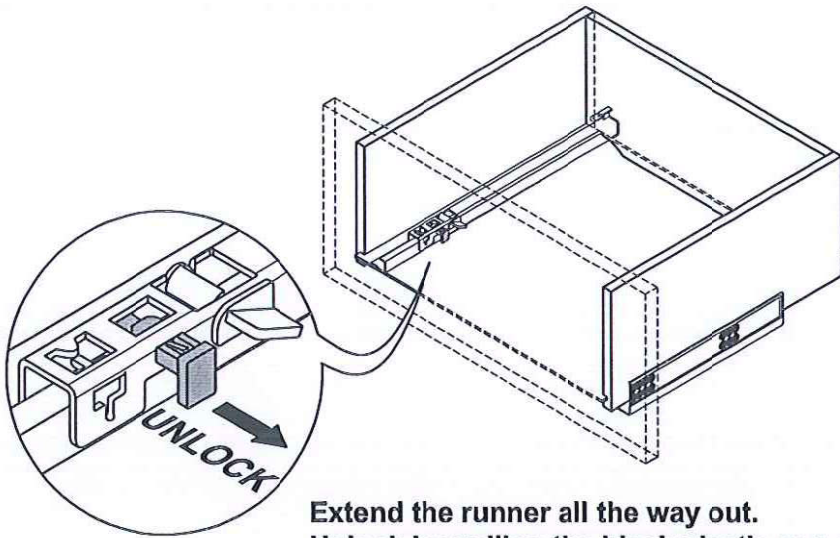
TANDEM RUNNER ADJUSTMENT INSTRUCTION

ASSEMBLE

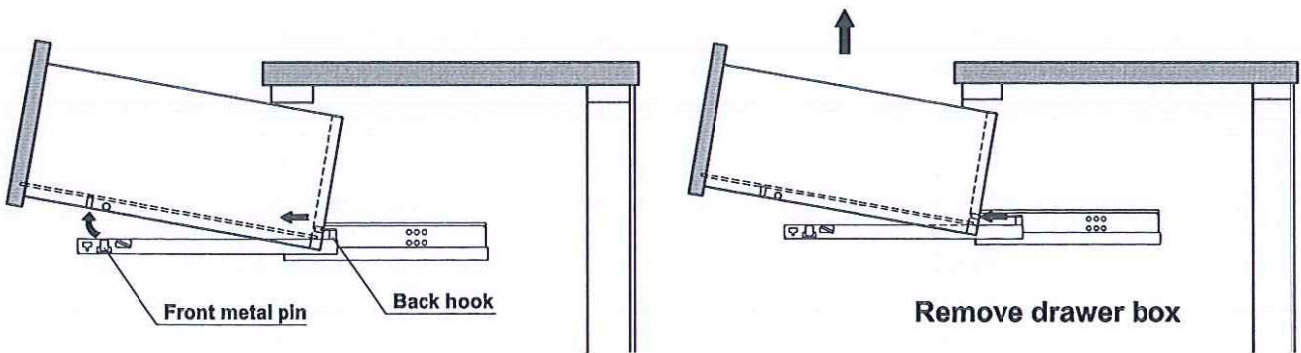


TANDEM RUNNER ADJUSTMENT INSTRUCTION

REMOVE

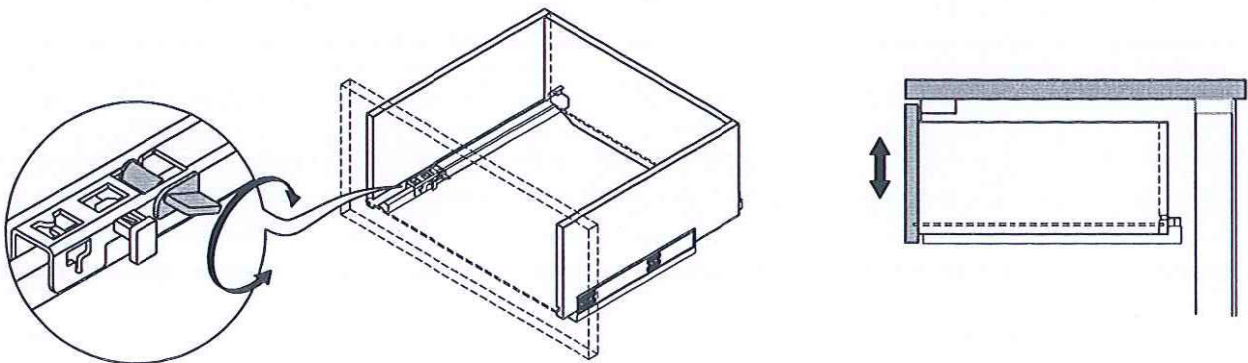


Extend the runner all the way out.
Unlock by pulling the black plastic peg on the runner out.



Hold runners with both of your hands.
Carefully lift the drawer front up from the front metal pin, then slide forward to remove from back hooks.

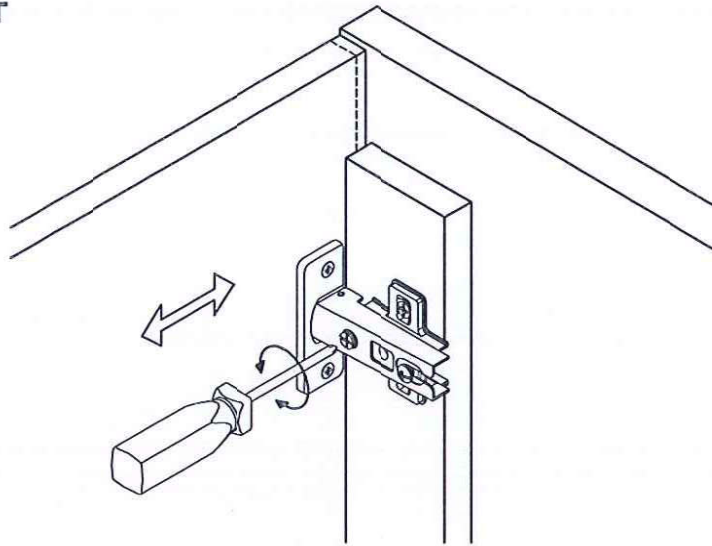
VERTICAL ADJUSTMENT (± 2.5 mm)



HINGE ADJUSTMENT INSTRUCTIONS

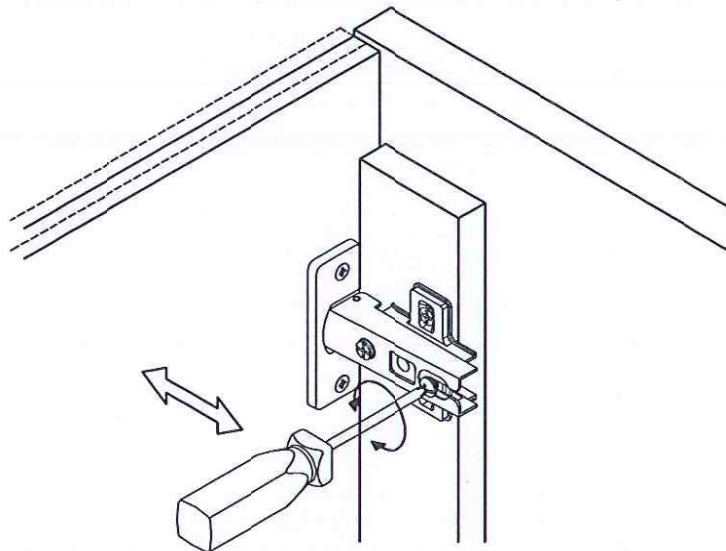
LATERAL ADJUSTMENT

by screw adjustment.



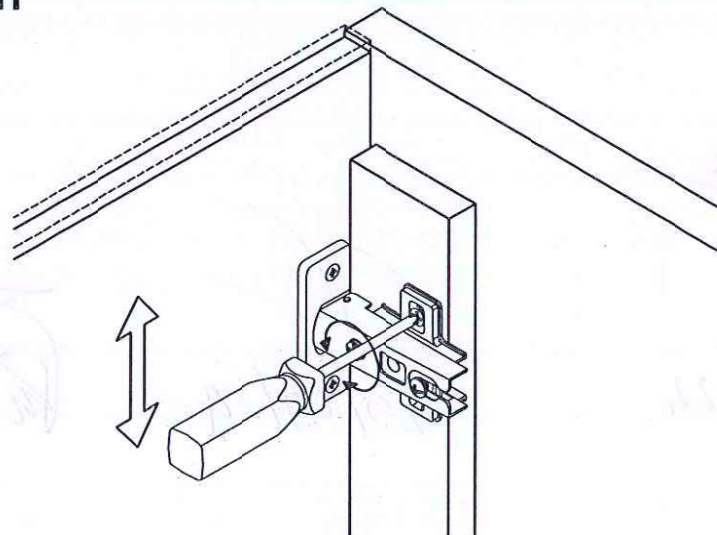
FRONT-TO-BACK

by slackening and retightening the hinge-arm mounting screw.

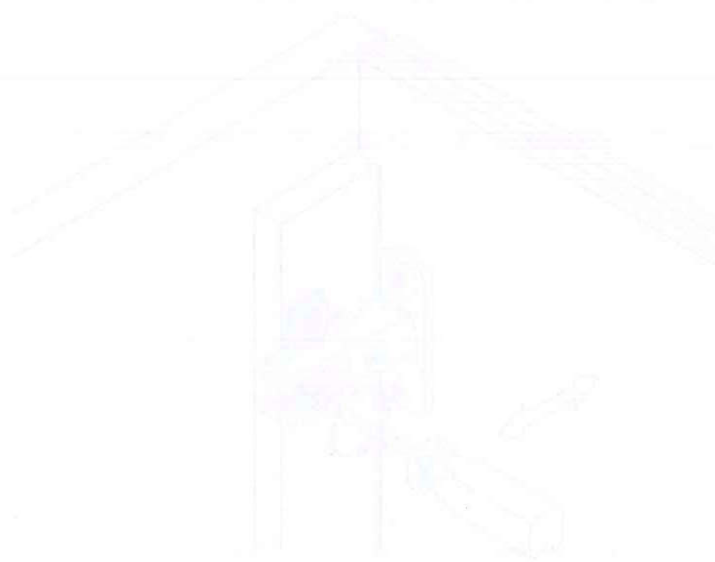
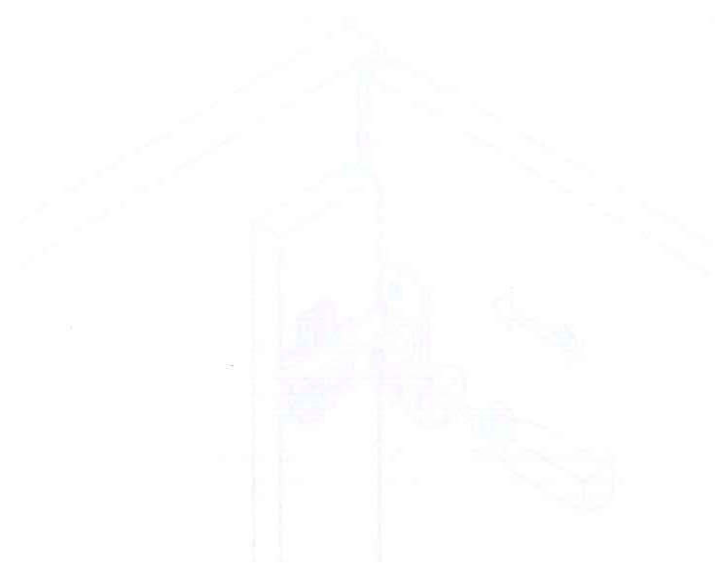


VERTICAL ADJUSTMENT

via slots on mounting plate by slackening and retightening the screws on mounting plate



Handwritten title at the top of the page, possibly "Handwritten Title".



update

Am
23.09.24


23/09/24


23/09/24