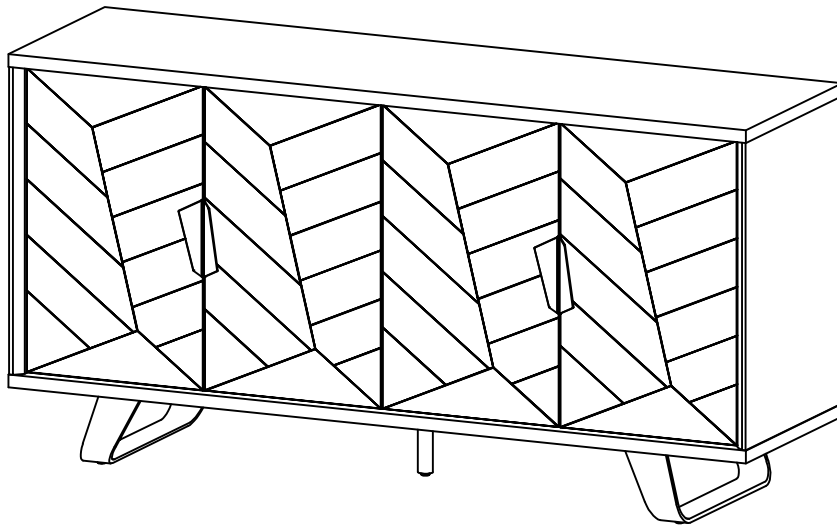


WIDE SIDEBOARD

Stock number: 280X-15

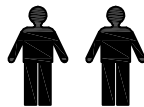
Thank you for purchasing this product. Please read the instructions carefully before use to ensure safe and satisfactory operation of this product.



Pre-assembly preparation

Please ensure instructions are read in full before attempting to assemble this product.

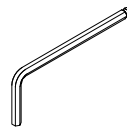
Necessary Tools : Phillips screwdriver



Ph 2



(Included)



Please check the pack contents before attempting to assemble this product. A full checklist of components is given in this leaflet. If any components are missing, please contact the retailer from whom you bought this product.

This product takes approximately **20 MINUTES** to assemble with **2 PEOPLE**.

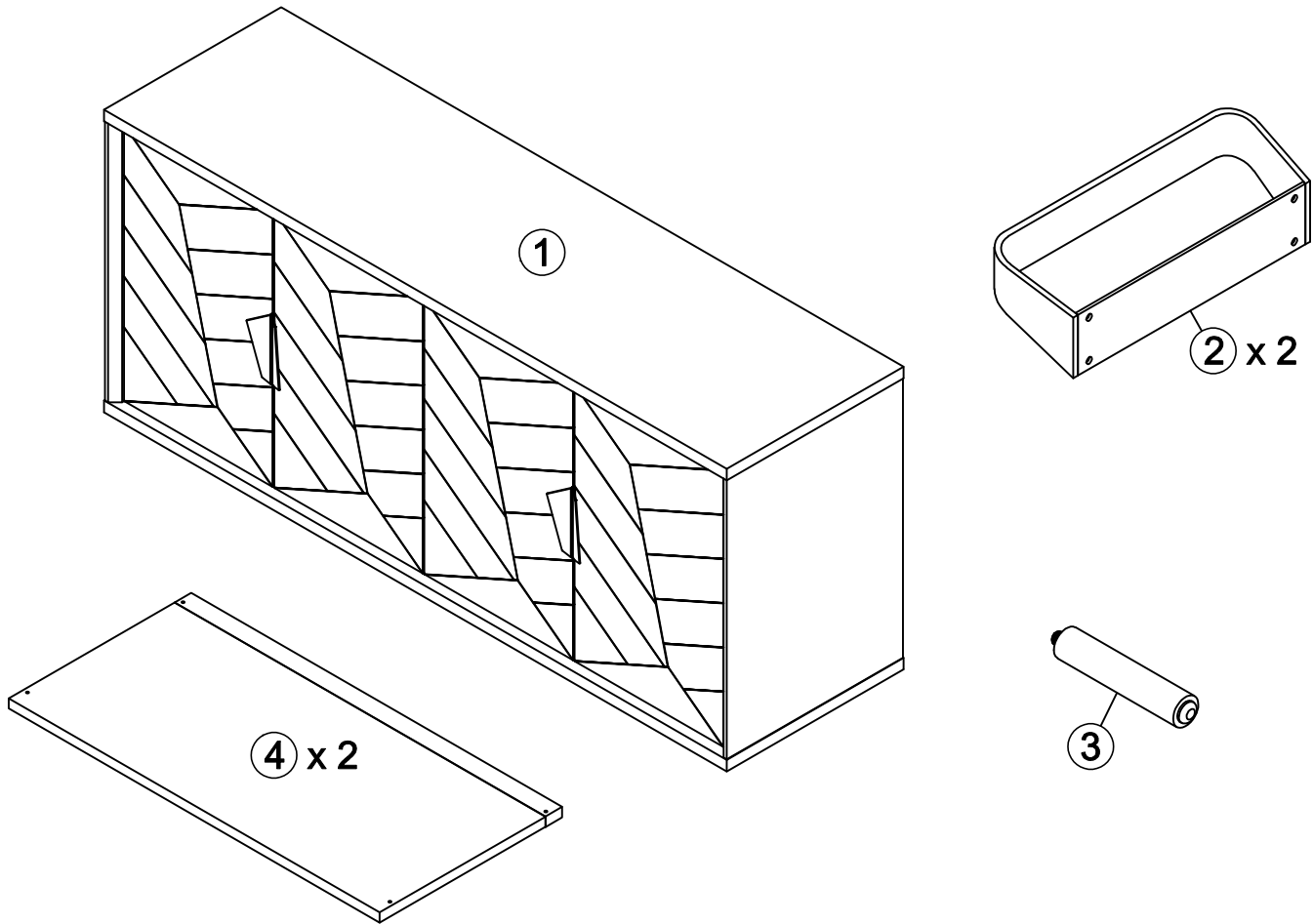
All assembly should be performed on a flat, stable, clean and soft surface.

This product is **HEAVY**, it should be assembled as near as possible to the point of use. **TAKE CARE WHEN LIFTING** to avoid personal injury and (or) damage to the product.

The fitting pack contains **SMALL ITEMS** which should be **KEPT AWAY FROM YOUNG CHILDREN**.

IMPORTANT: Retain these instructions for future reference.

Page : 1



Fittings and parts checklist

| Item | Description | Qty. | Item | Description | Qty. |
|------|--|------|------|----------------------------|------|
| 1 | Top unit | x 1 | 3 | Center leg | x 1 |
| 2 | Metal Leg | x 2 | 4 | Adjustable Shelf Frame | x 2 |
| A | Hex head bolt M8x20mm | x 8 | D | Flat head screw Ø4x15mm | x 5 |
| B | Wood shelf support | x 8 | E | Allen key M4x30x110mm | x 1 |
| C | Mounting plate leg M8x18(5)xØ63x2.2mm | x 1 | | | |

Step by step assembly instructions

Step 1

- 1.1 : Lay all parts on flat, stable, clean, and soft surface.
- 1.2 : Attach 2x metal legs (2) onto top unit (1) as shown. Ensure the pre-drilled holes on metal legs (2) are aligned correctly to the holes on top unit (1) before attaching.
- 1.3 : Secure parts (2) to part (1) using 8x hex head bolts (A) as shown. Use an allen key (E) to turn fittings (A) clockwise to fix.
- 1.4 : Attached 1x mounting plate leg (C) into top unit (1) by screwing 5x flat head screws (D) as shown. Use a phillips screwdriver to turn fittings (D) clockwise to fix.
- 1.5 : Screw each center leg (3) into metal mounting plate on top unit (1) as shown. Continue to re-tighten until it is securely fastened.
- 1.6 : With help of assistant, carefully turn the unit upright.

Fitting



A x 8



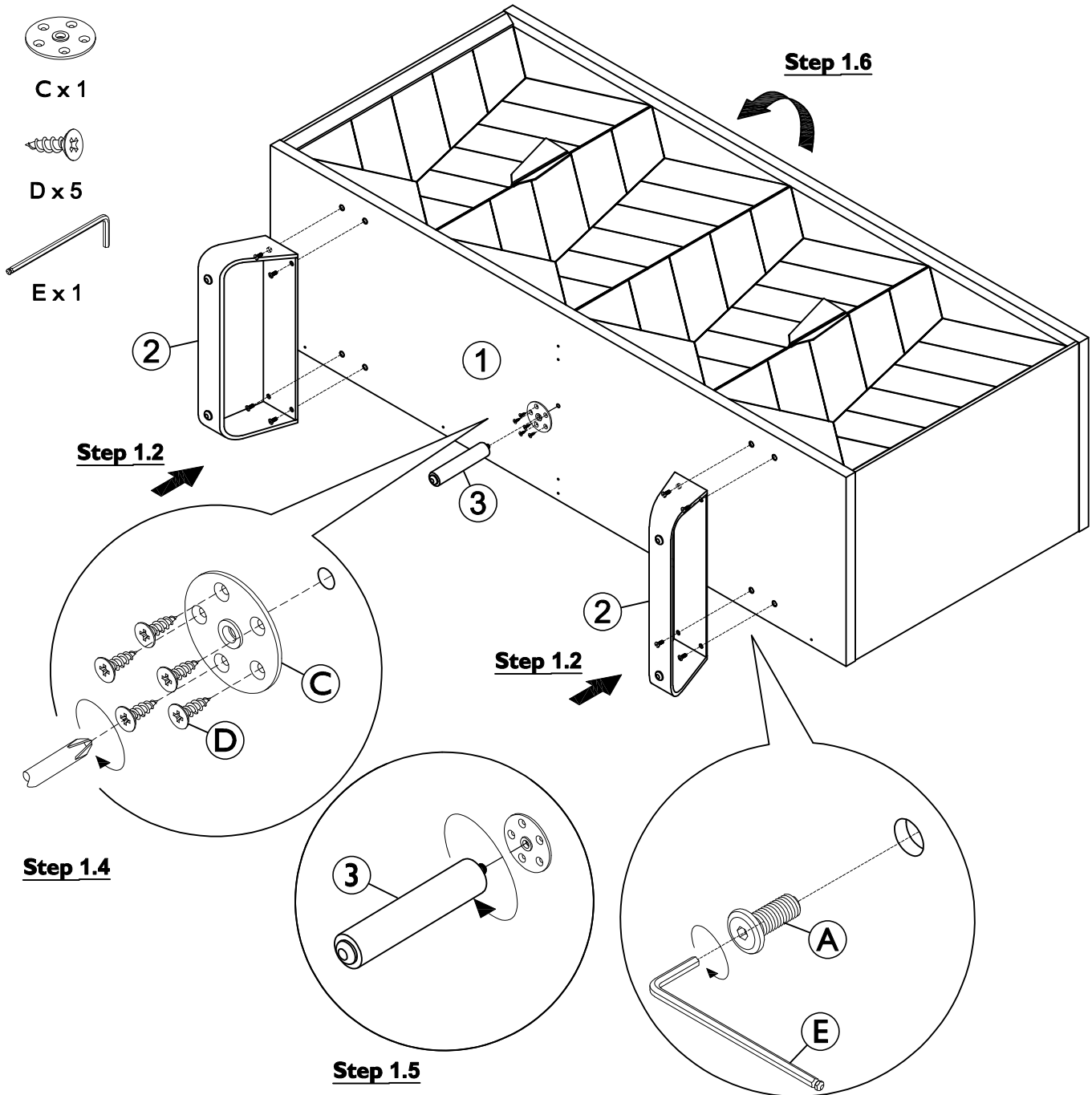
C x 1



D x 5



E x 1



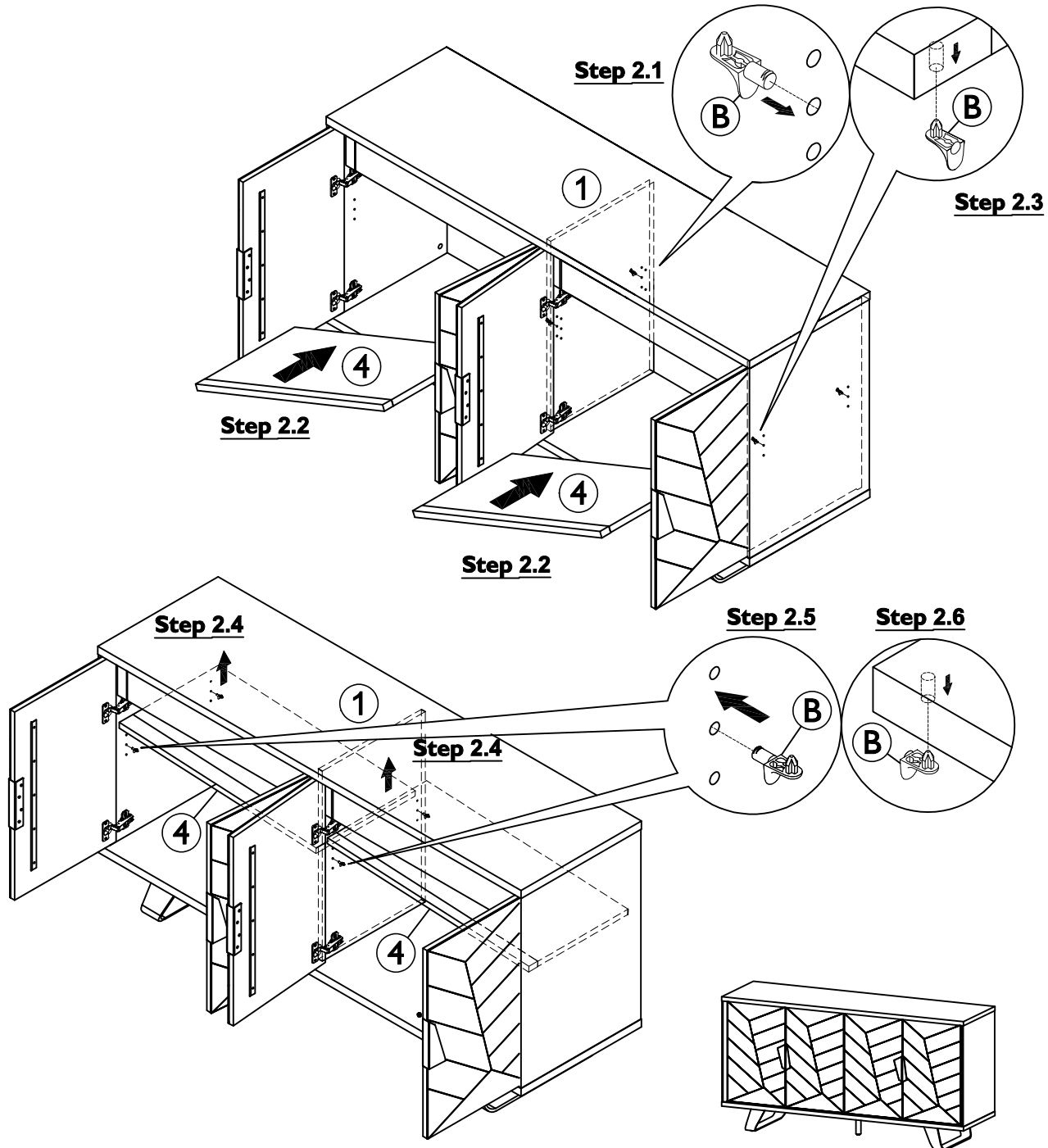
Step by step assembly instructions

- Step 2**
- 2.1 : Insert 4x wood shelf supports (B) into the pre-drilled holes in right side panel and right partition of the top unit (1) as shown.
- 2.2 : Tilt adjustable shelf frames (4) to a suitable angle as shown in the picture so as to slide them in.
- 2.3 : Slide adjustable shelf frames (4) into the unit. Ensure the holes on adjustable shelf frames (4) are facing down, then lower the right side of adjustable shelf frames (4) onto the pins of wood shelf supports (B) as shown.
- 2.4 : Lift up left side of adjustable shelf frames (4).
- 2.5 : Insert 4x wood shelf supports (B) into the pre-drilled holes in left side panel and left partition of the unit (1) as shown.
- 2.6 : Lower adjustable shelf frames (4) onto the pins of wood shelf supports (B) as shown.

Fitting



B x 8



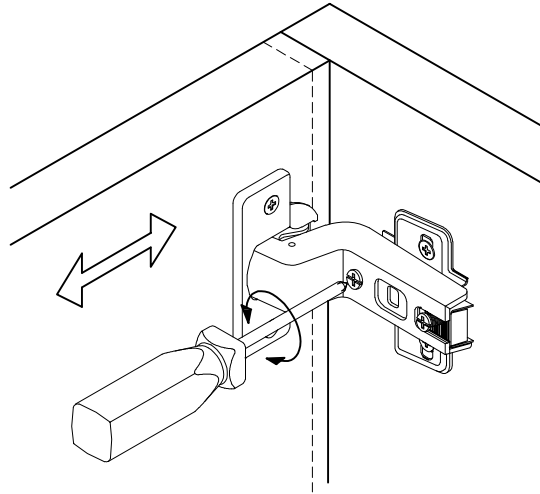
Assembly is complete

Page : 4

HINGE ADJUSTMENT INSTRUCTIONS

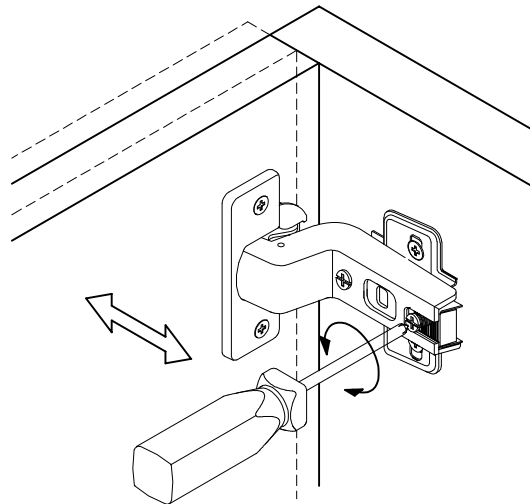
LATERAL ADJUSTMENT

by screw adjustment.



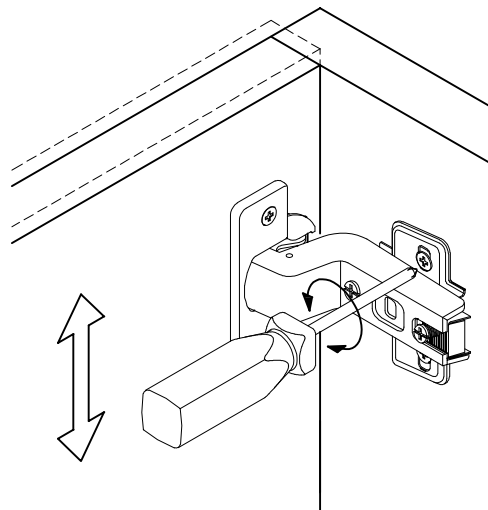
FRONT-TO-BACK

by slackening and retightening the hinge-arm mounting screw.



VERTICAL ADJUSTMENT

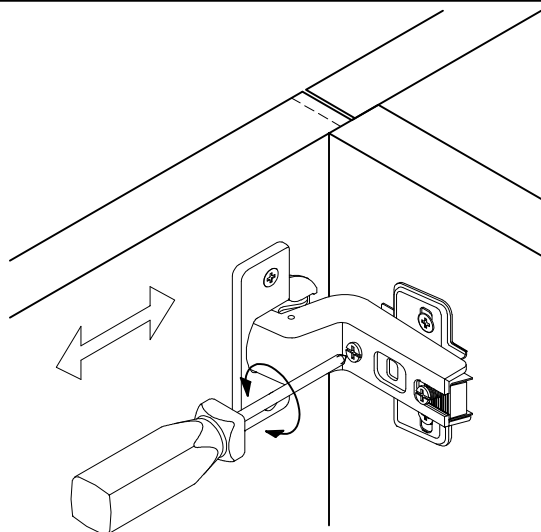
via slots on mounting plate by slackening and retightening the screws on mounting plate



HINGE ADJUSTMENT INSTRUCTIONS

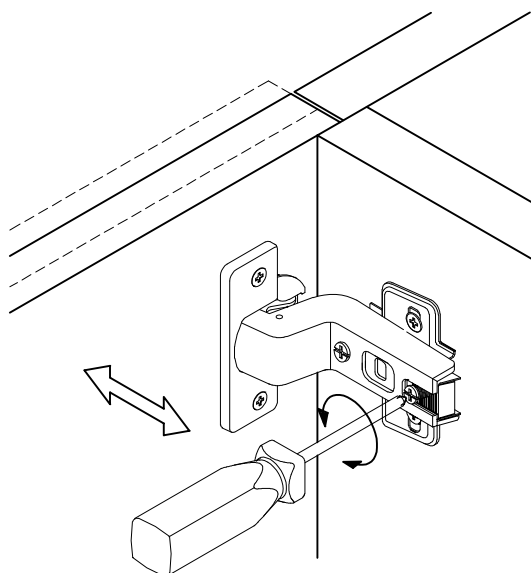
LATERAL ADJUSTMENT

by screw adjustment.



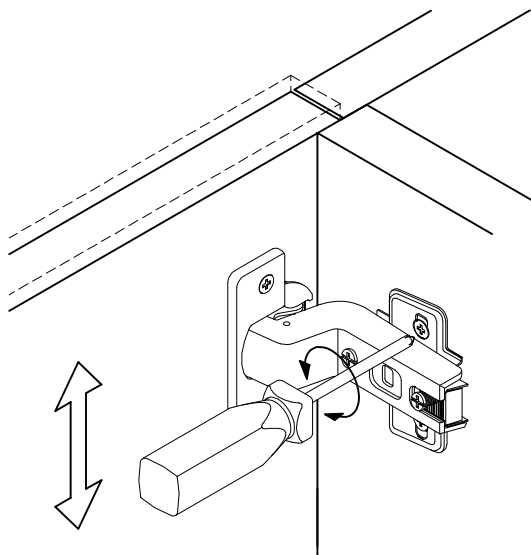
FRONT-TO-BACK

by slackening and retightening the hinge-arm mounting screw.



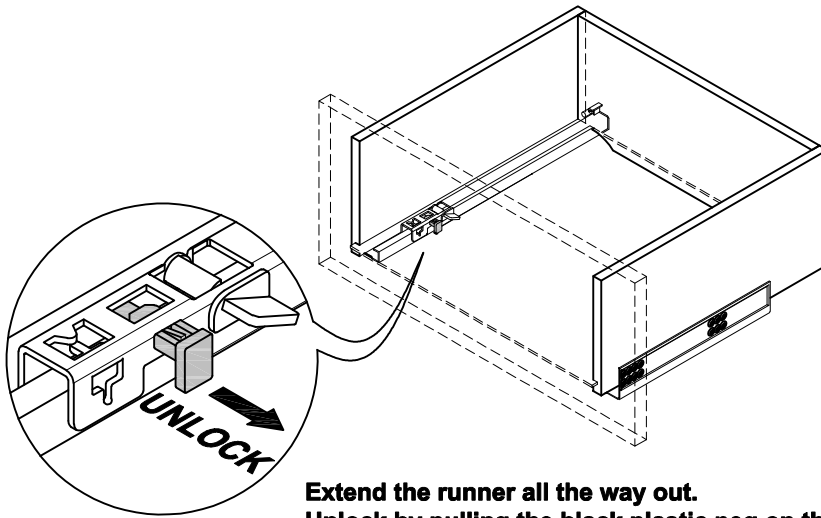
VERTICAL ADJUSTMENT

via slots on mounting plate by slackening and retightening the screws on mounting plate

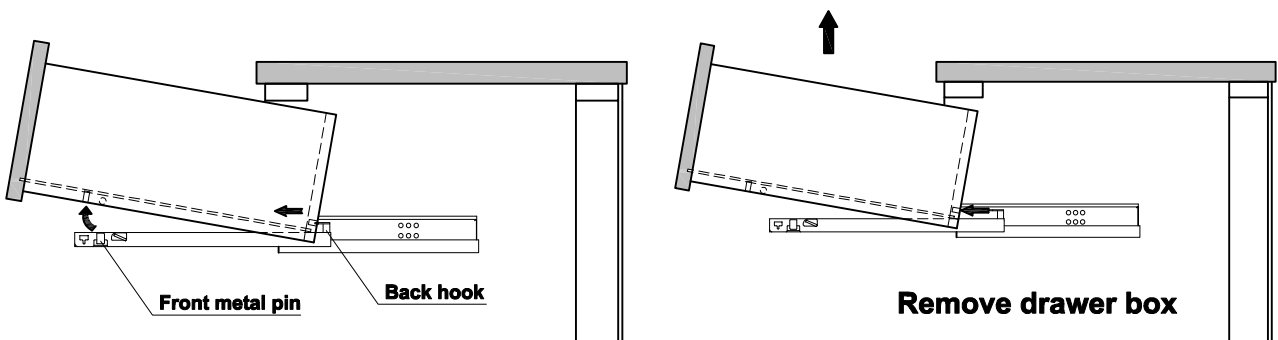


TANDEM RUNNER ADJUSTMENT INSTRUCTION

REMOVE

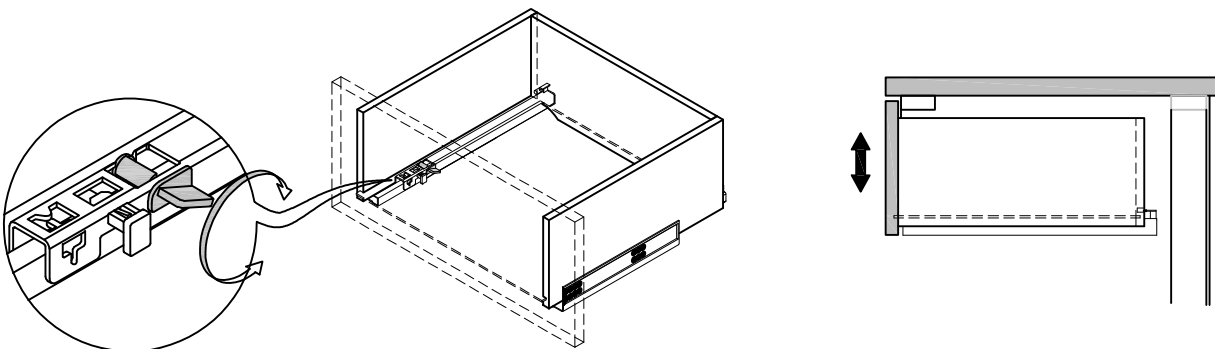


Extend the runner all the way out.
Unlock by pulling the black plastic peg on the runner out.



Hold runners with both of your hands.
Carefully lift the drawer front up from the front metal pin, then slide forward to remove from back hooks.

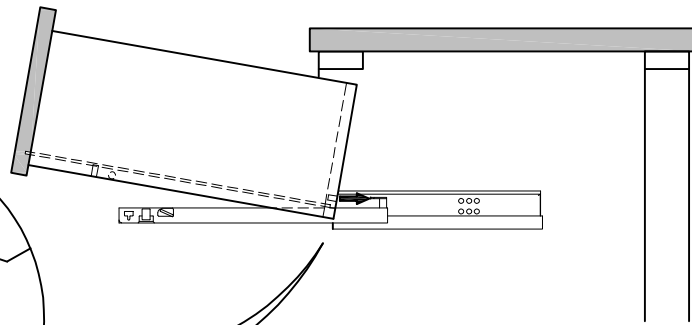
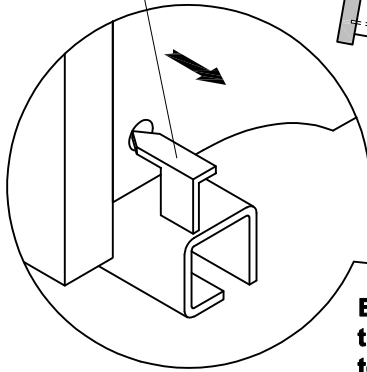
VERTICAL ADJUSTMENT (± 2.5 mm)



TANDEM RUNNER ADJUSTMENT INSTRUCTION

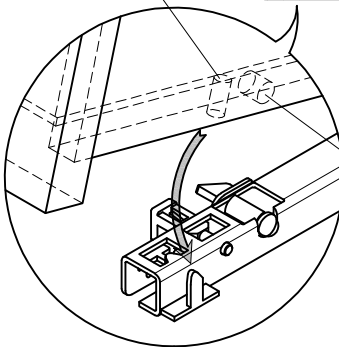
ASSEMBLE

Back hook

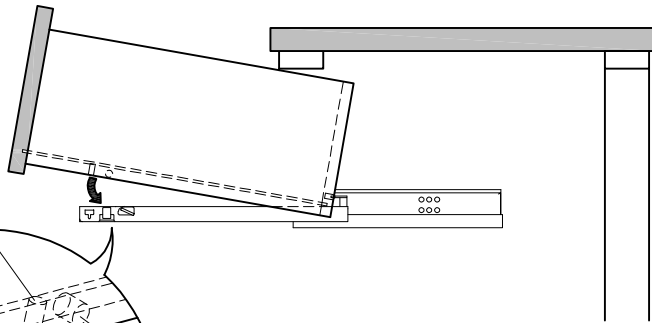


Extend the runner all the way out. Put the drawer onto them then hold both the runners with your hands, lift the drawer up with your thumbs and push to hook the drawer at the end of the runner.

Hole / Front metal pin

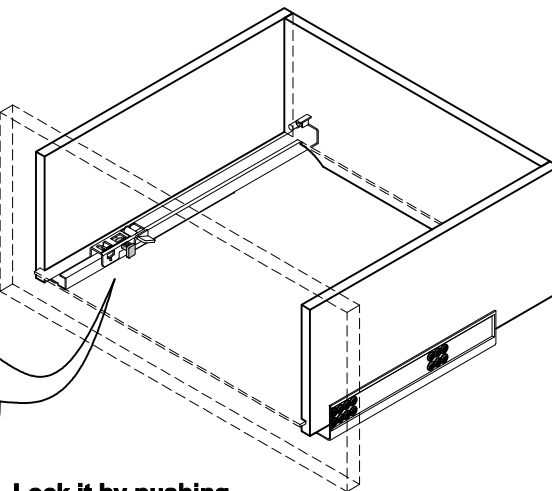
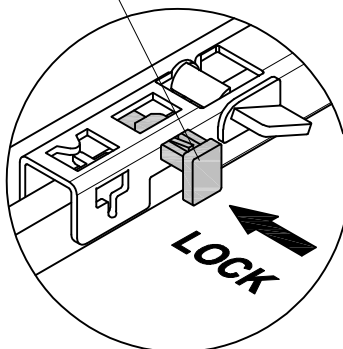


Hole / plastic peg



Once the back hook is connected gently lower the drawer onto the front metal pin.

Black plastic peg



Lock it by pushing the black plastic peg on the runner in.