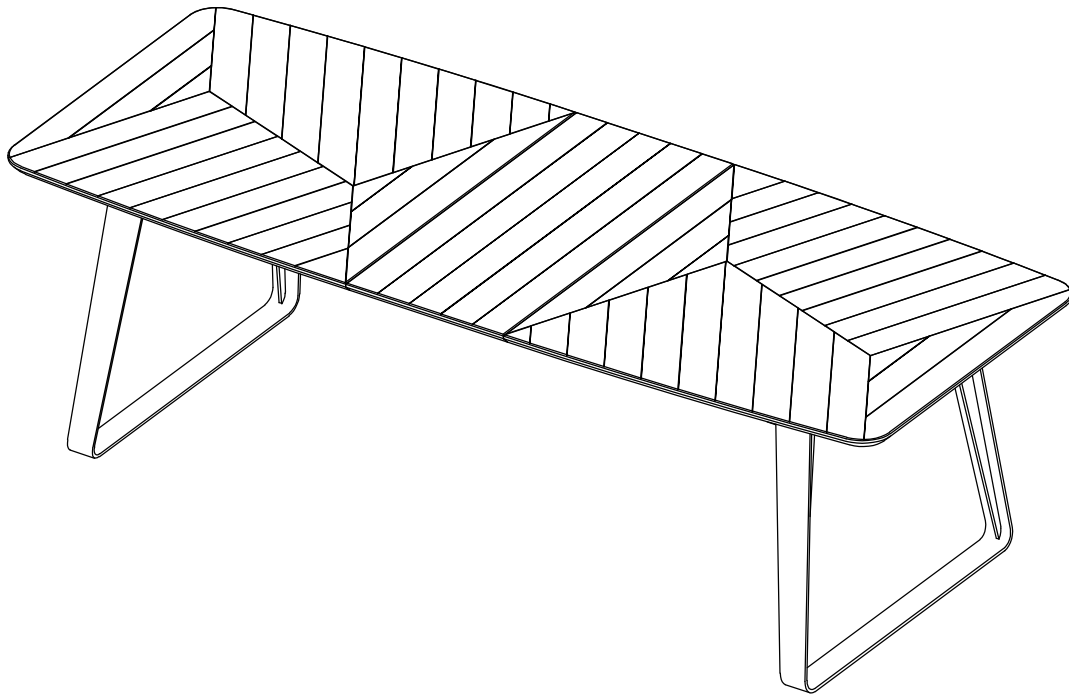


# 6-8 EXTENSION DINING TABLE

Stock number: 280X-3

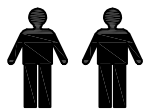
Thank you for purchasing this product. Please read the instructions carefully before use to ensure safe and satisfactory operation of this product.



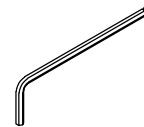
## Pre-assembly preparation

Please ensure instructions are read in full before attempting to assemble this product.

## Necessary Tools :



(Included )



Please check the pack contents before attempting to assemble this product. A full checklist of components is given in this leaflet. If any components are missing, please contact the retailer from whom you bought this product.

This product takes approximately **30 MINUTES** to assemble with **2 PEOPLE**.

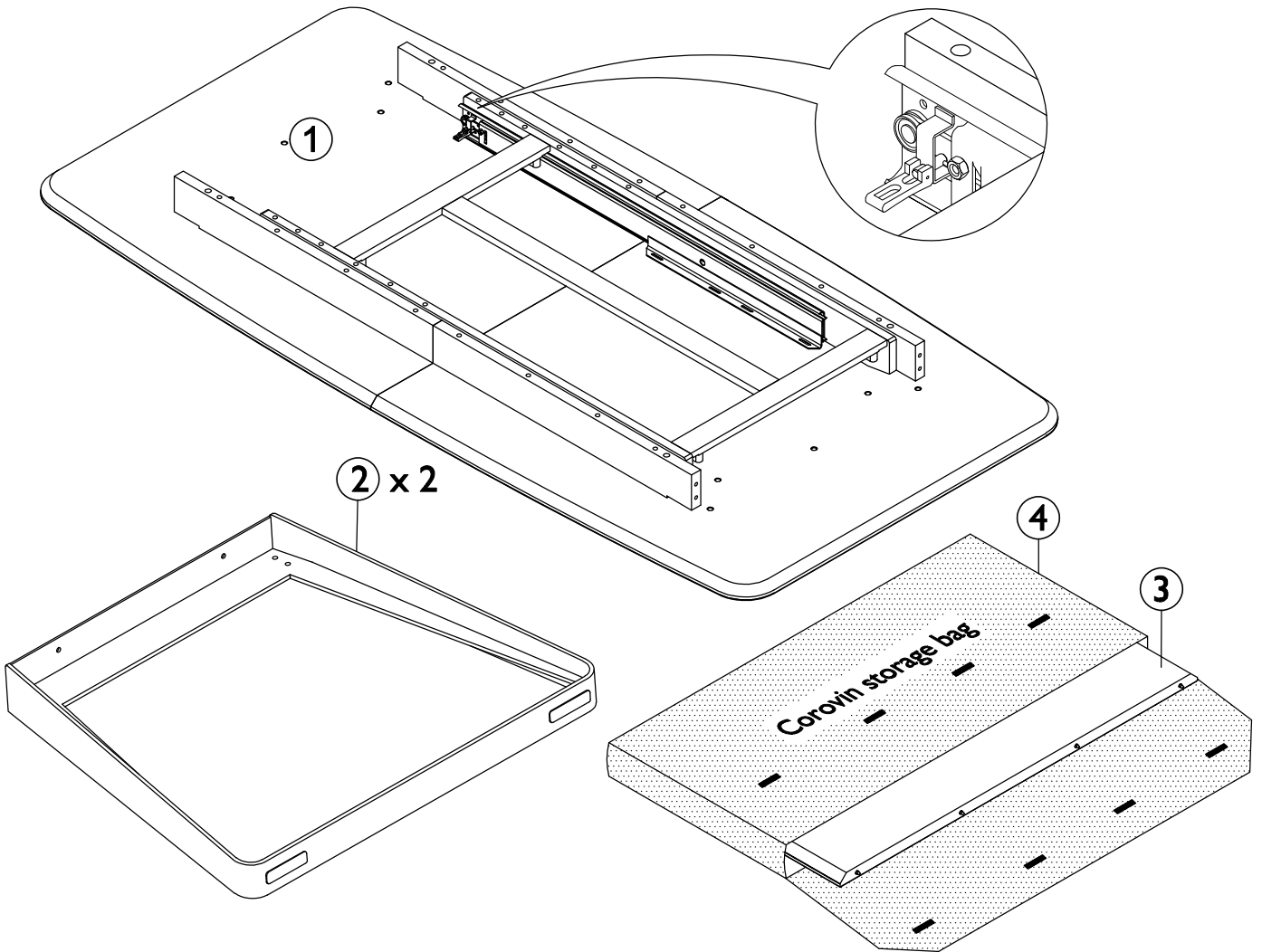
All assembly should be performed on a flat, stable, clean and soft surface.

This product is **HEAVY**, it should be assembled as near as possible to the point of use. **TAKE CARE WHEN LIFTING** to avoid personal injury and (or) damage to the product

The fitting pack contains **SMALL ITEMS** which should be **KEPT AWAY FROM YOUNG CHILDREN**.

**IMPORTANT:** Retain these instructions for future reference.

**UNLOCK : Always unlock position**



## Fittings and parts checklist

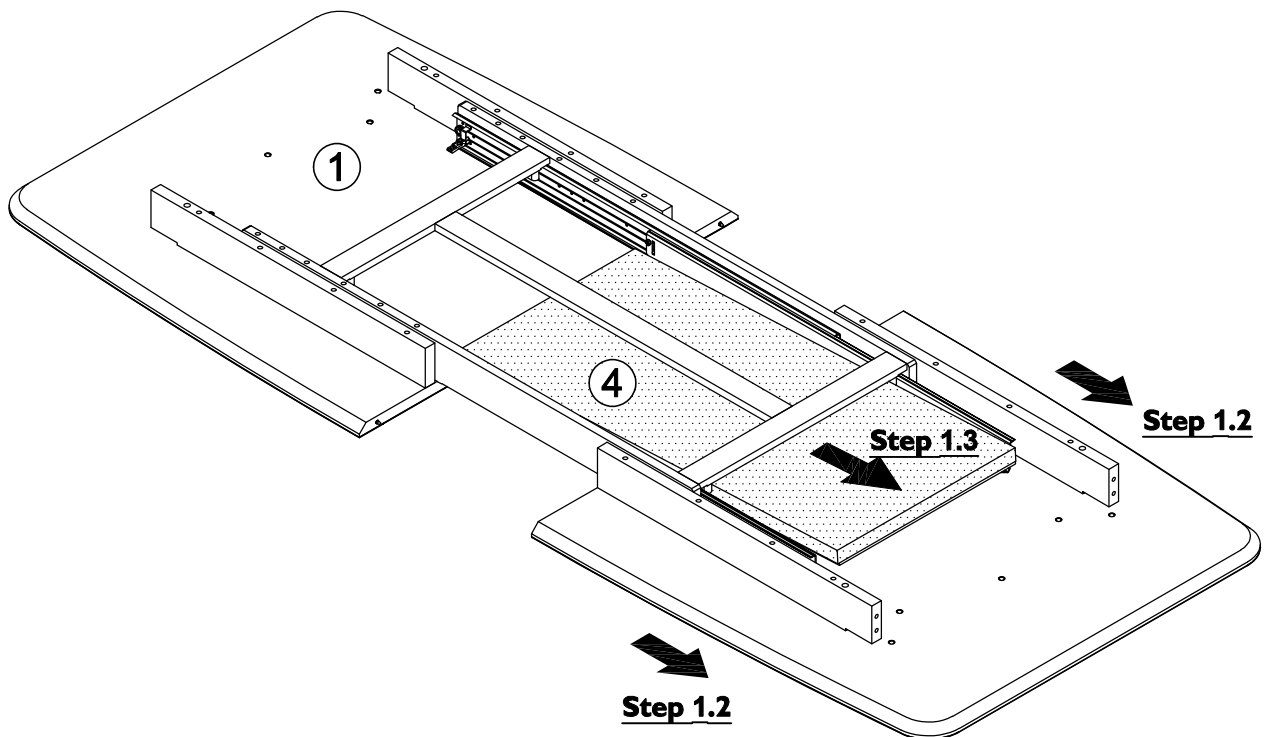
Item	Description	Qty.	Item	Description	Qty.
1	Table top	x 1	3	Leaf	x 1
2	Metal leg	x 2	4	Corovin storage bag	x 1
A	Cross dowel Ø12x60mm	x 4	D	Small allen key M4x30x110mm	x 1
B	Long hex head bolt M8x100mm	x 8	E	Large allen key M5x30x110mm	x 1
C	Short hex head bolt M8x20mm	x 10			

---

## Step By Step Assembly Instructions

---

- Step 1**
- 1.1 : Lay all parts on a flat, stable, clean and soft surface.
  - 1.2 : Extend the table top (1) as shown.
  - 1.3 : Remove the corovin storage bag (4) as shown.



\* **ALERT**: MAKE SURE LEAF IS REMOVED BEFORE ASSEMBLY.

# Step By Step Assembly Instructions

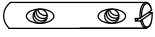
## Step 2

2.1 : Close table top and lock the slides as shown.

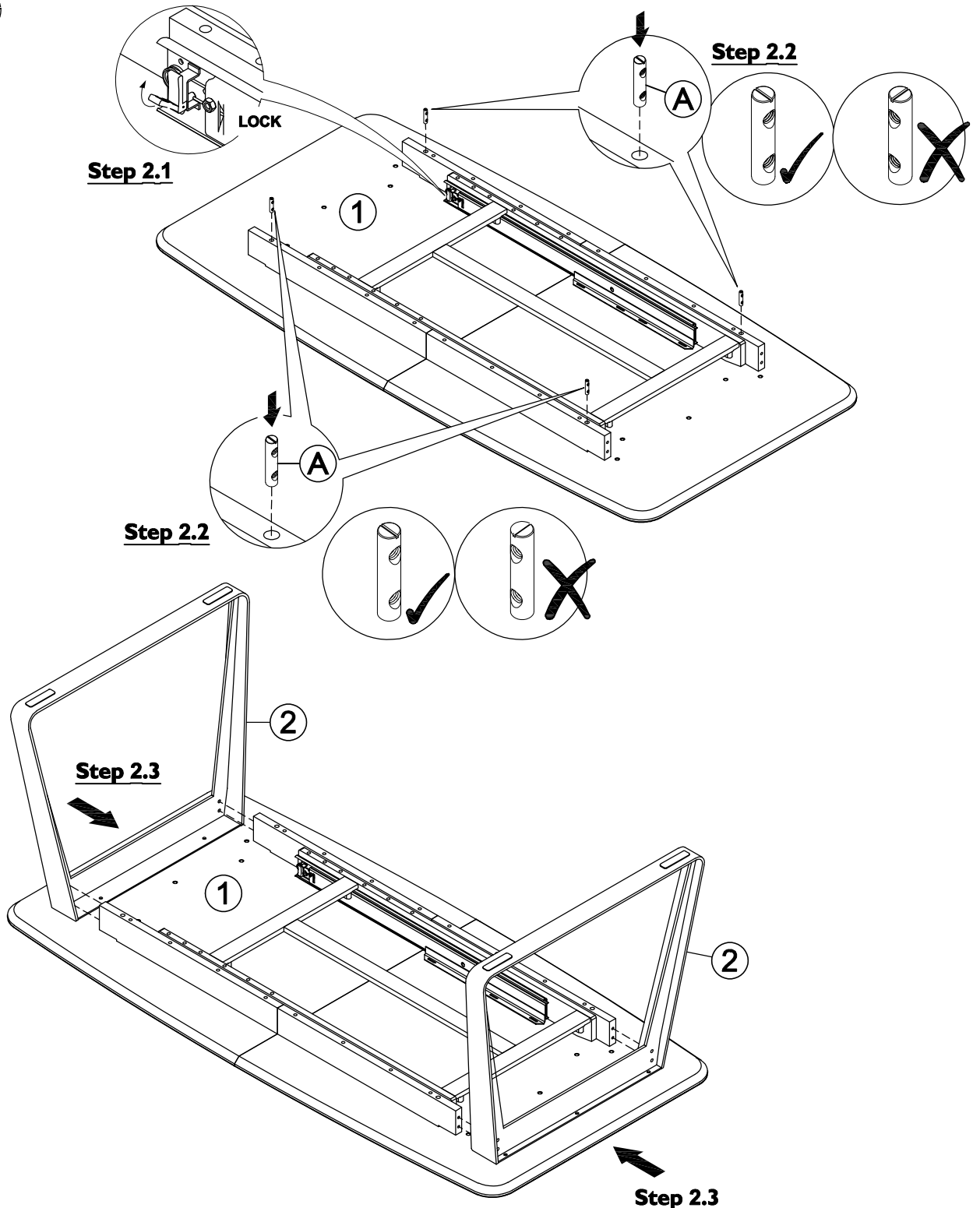
2.2 : Insert 4x cross dowels (A) into the table top (1) by placing each fitting (A) into the holes on top of each side apron as shown.

2.3 : Place metal legs (2) onto table top (1). Ensure the pre-drilled holes on metal legs (2) are aligned correctly with the pre-drilled holes on table top (1) before attaching.

Fitting



A x 4

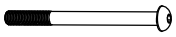


# Step By Step Assembly Instructions

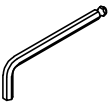
## Step 3

- 3.1 : Secure metal legs (2) to table top (1) by screwing 8x long hex head bolts (B) into the cross dowels (A) that are located on table top (1) as shown. Use large allen key (E) to turn bolts clockwise to fix. **Do not fully tightening.**
- 3.2 : Secure metal legs (2) to table top (1) by screwing 10x short hex head bolts (C) into the insert fitting that are located table top (1) as shown. Use small allen key (D) to turn bolts clockwise to fix.
- 3.3 : **Re-tightening**

Fitting



B x 8



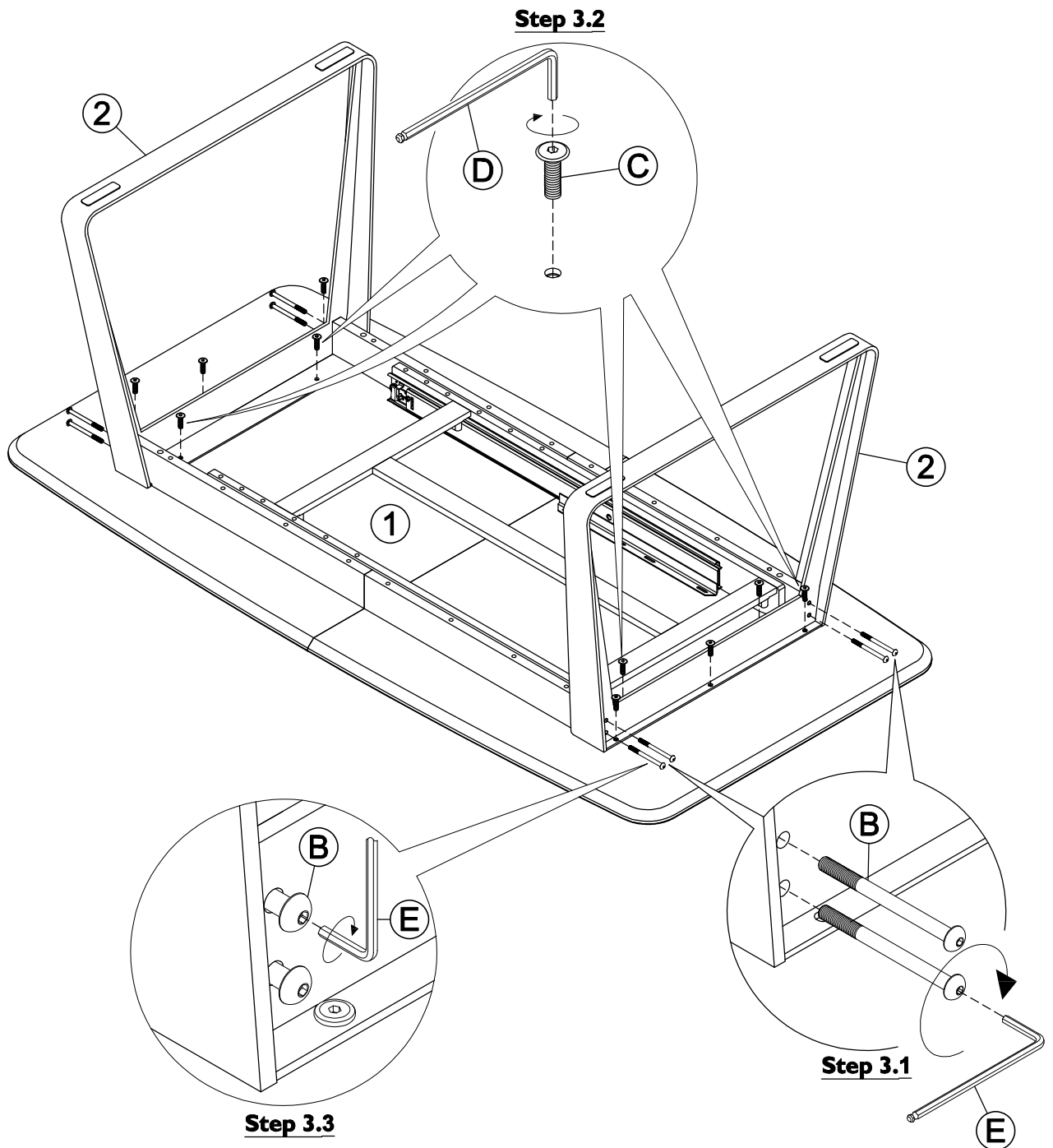
E x 1



C x 10

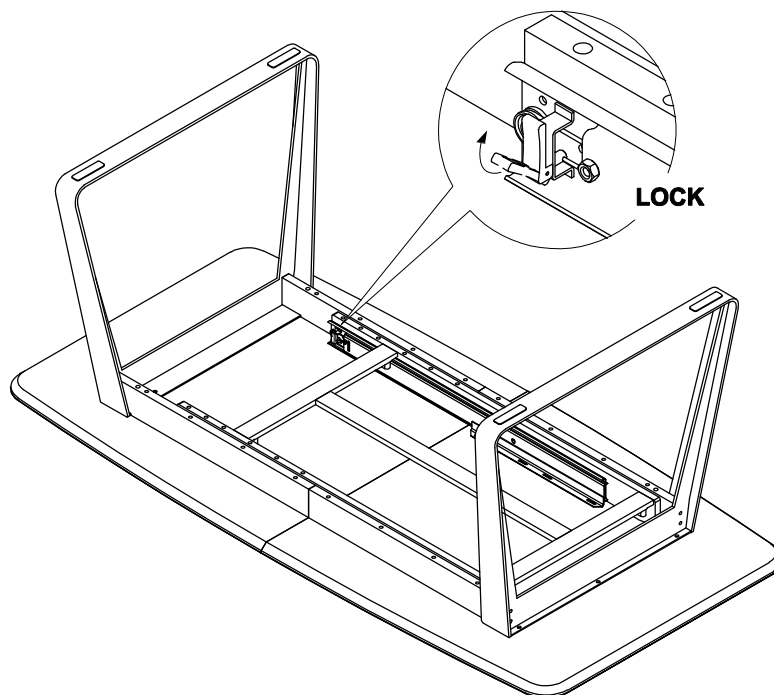


D x 1

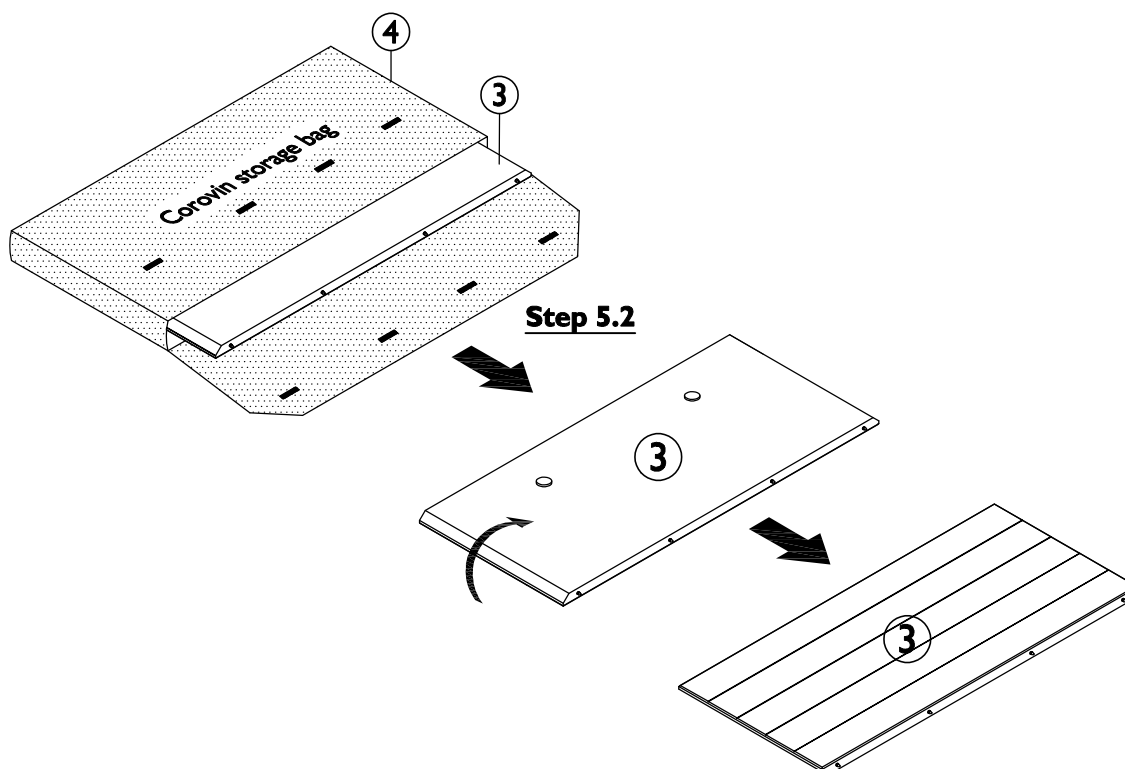


## Step By Step Assembly Instructions

- Step 4** **Important :** Ensure you have already locked the slides in **Step 2** before righting the table.  
**Note :** When moving the table, remove leaf, close table top and lock the slides, then move by gripping or lifting the legs or underframe.  
**Caution :** This product is heavy, with help of assistant stand the table upright.



- Step 5** 5.1 : Place storage bag (4) and leaf (3) onto a flat, stable, clean and soft surface.  
5.2 : Remove leaf (3) from storage bag (4) as shown .



# Step By Step Assembly Instructions

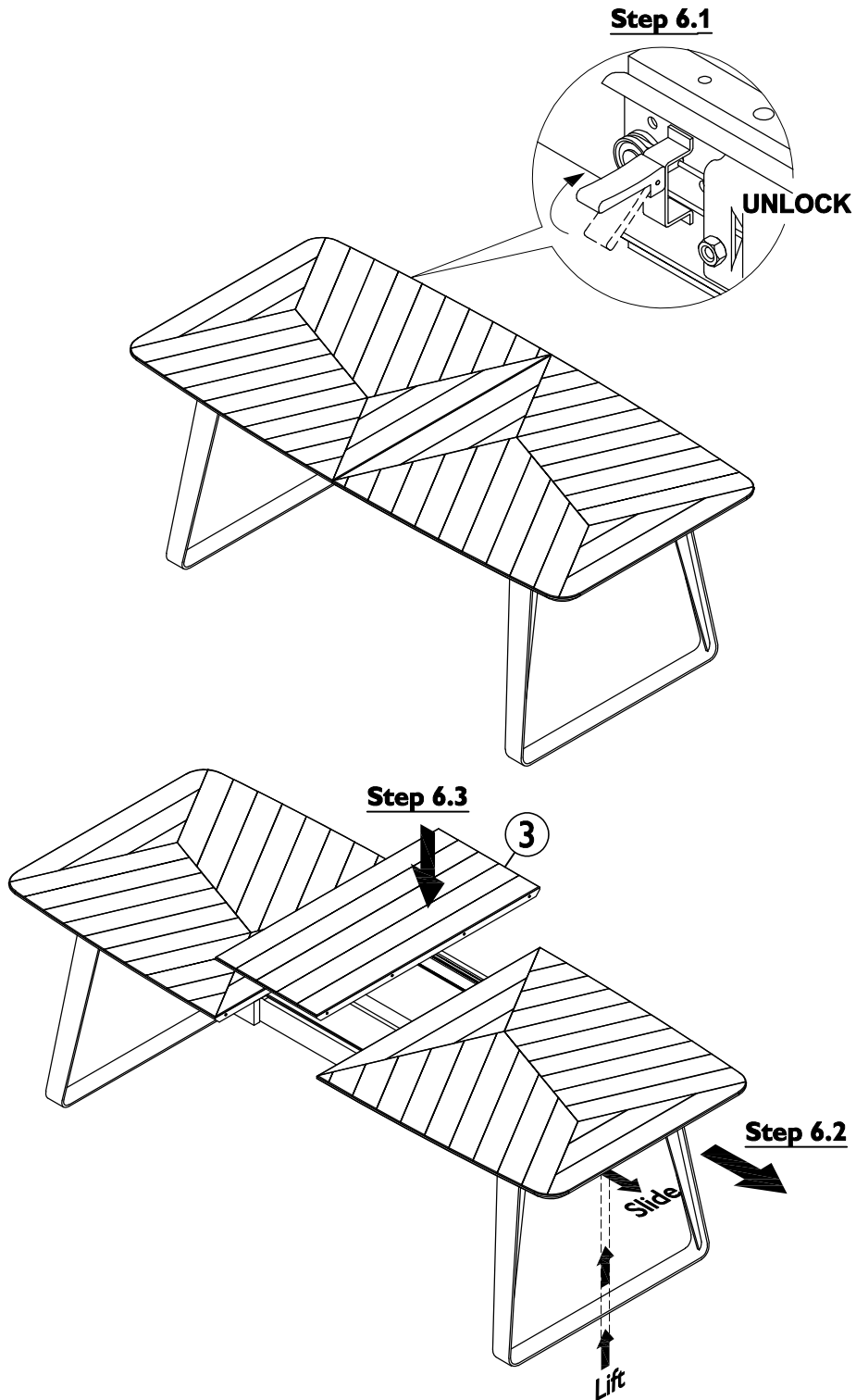
## Step 6

6.1 : Unlock the slides that were locked in **Step 2**.

6.2 : Extend the table by lifting up the metal leg, then slide the structure all the way out as shown.

6.3 : Place leaf (3) over the side aprons as shown.

**Warning: Be careful of leg injuries when lifting up the metal leg.**



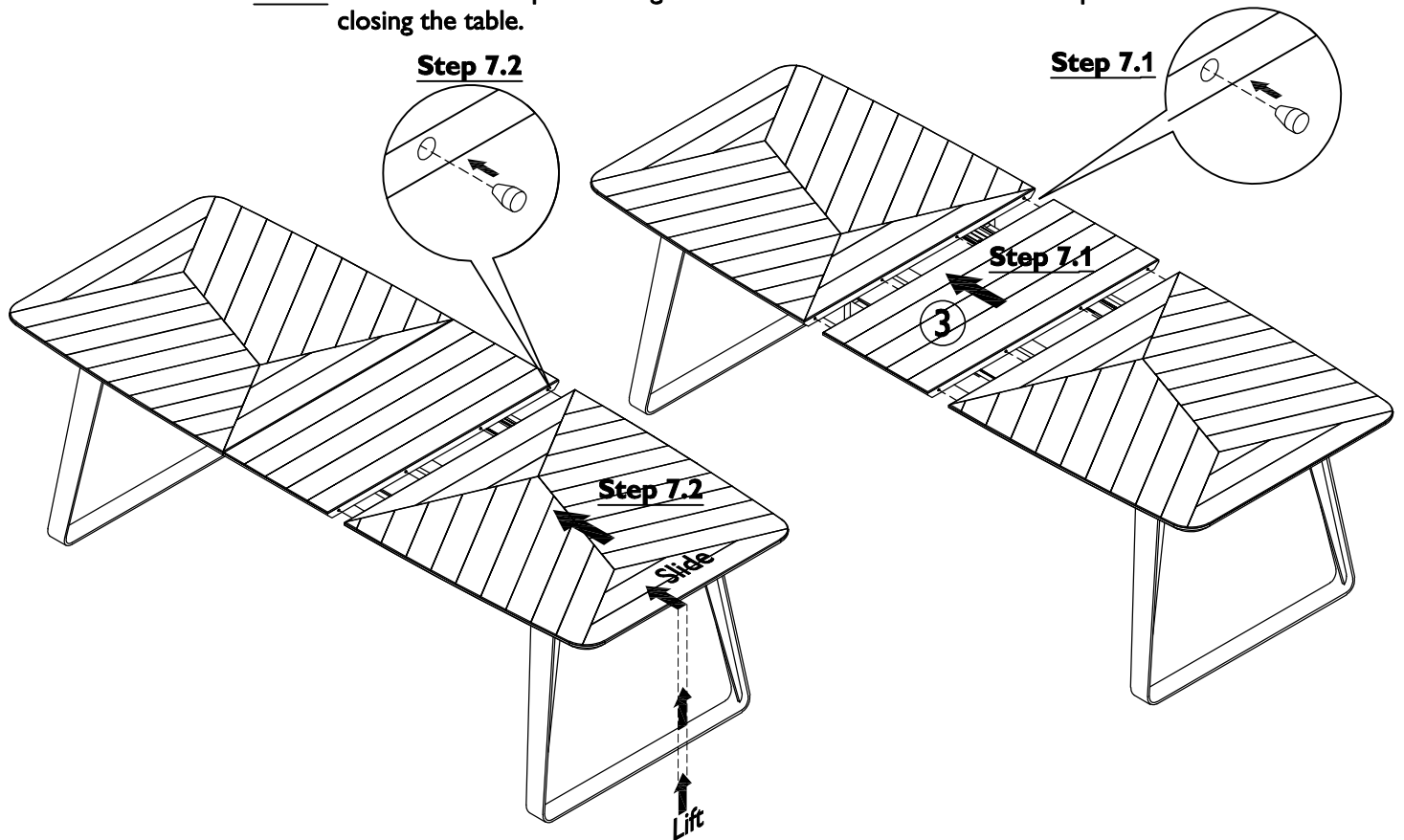
## Step by step assembly instructions

### Step 7

7.1: Slide leaf (3) to main table top until no gap is visible.

7.2: Lift the table structure up then slide the table inwards the leaf until no gap is visible.

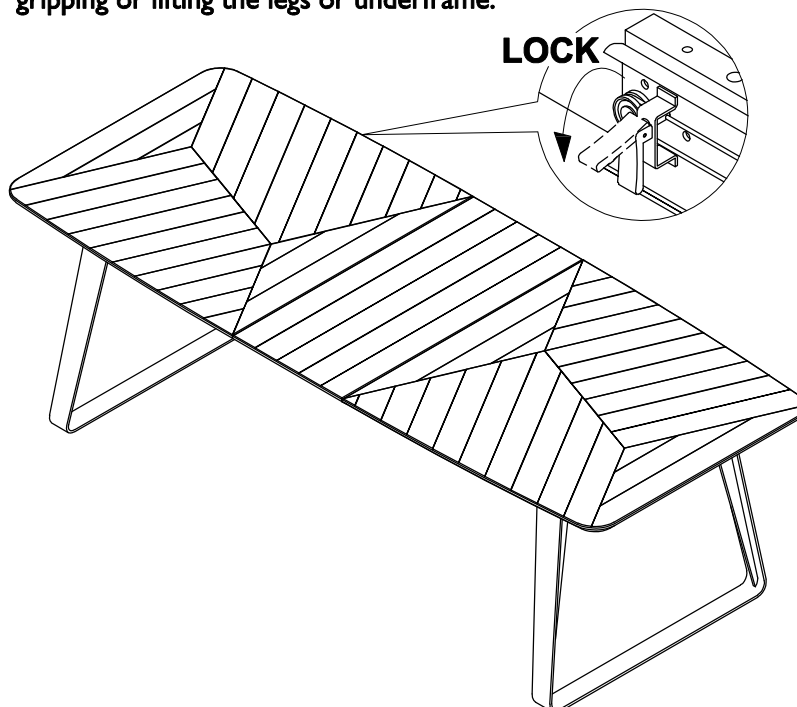
**Note:** Ensure the metal pins are aligned to the holes on the main table tops and the leaf before closing the table.



### Step 8

Ensure that you have locked the slides after closing the table as shown.

**Note:** When moving the table, remove leaf, close table top and lock the slides, then move by gripping or lifting the legs or underframe.





# Step By Step Assembly Instructions

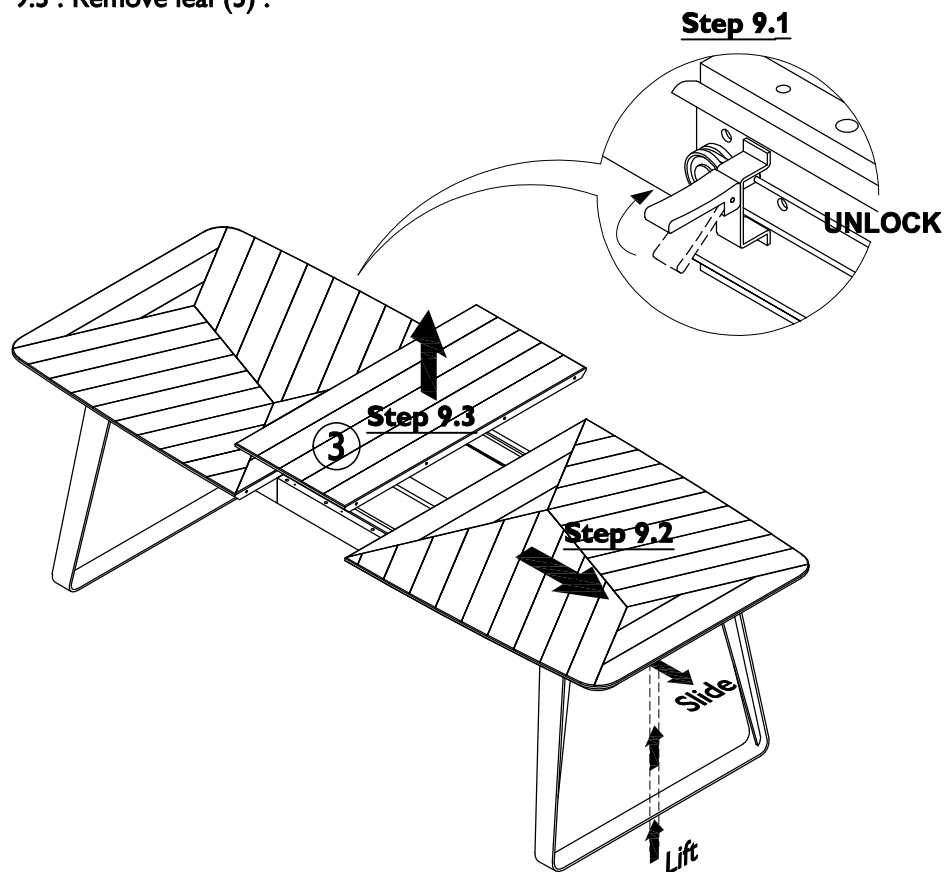
## Step 9

### Remove the leaf

9.1 : Unlock the slides that were locked in **Step 8**.

9.2 : Extend the table by lifting up the metal leg, then slide the structure all the way out as shown.

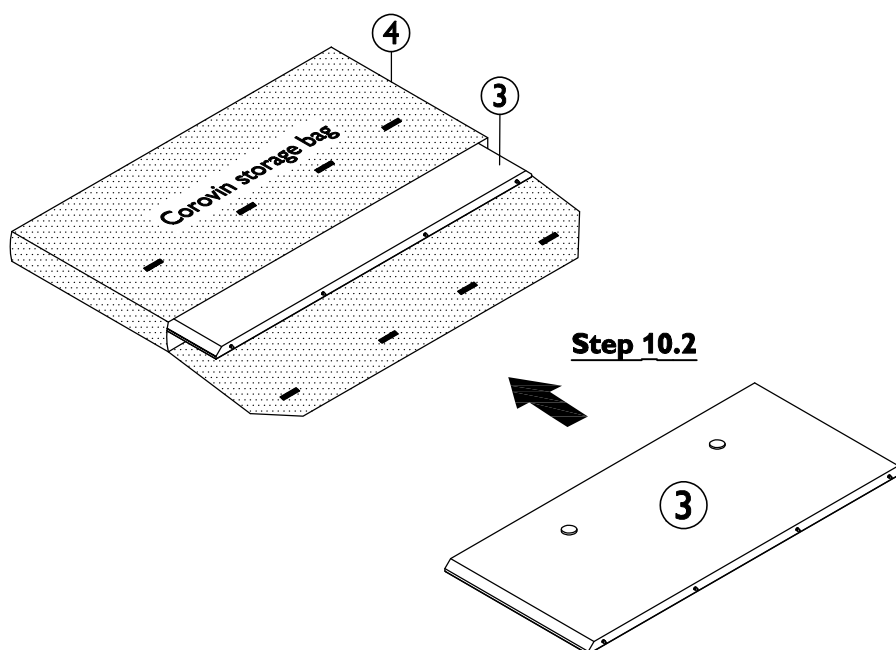
9.3 : Remove leaf (3) .



## Step 10

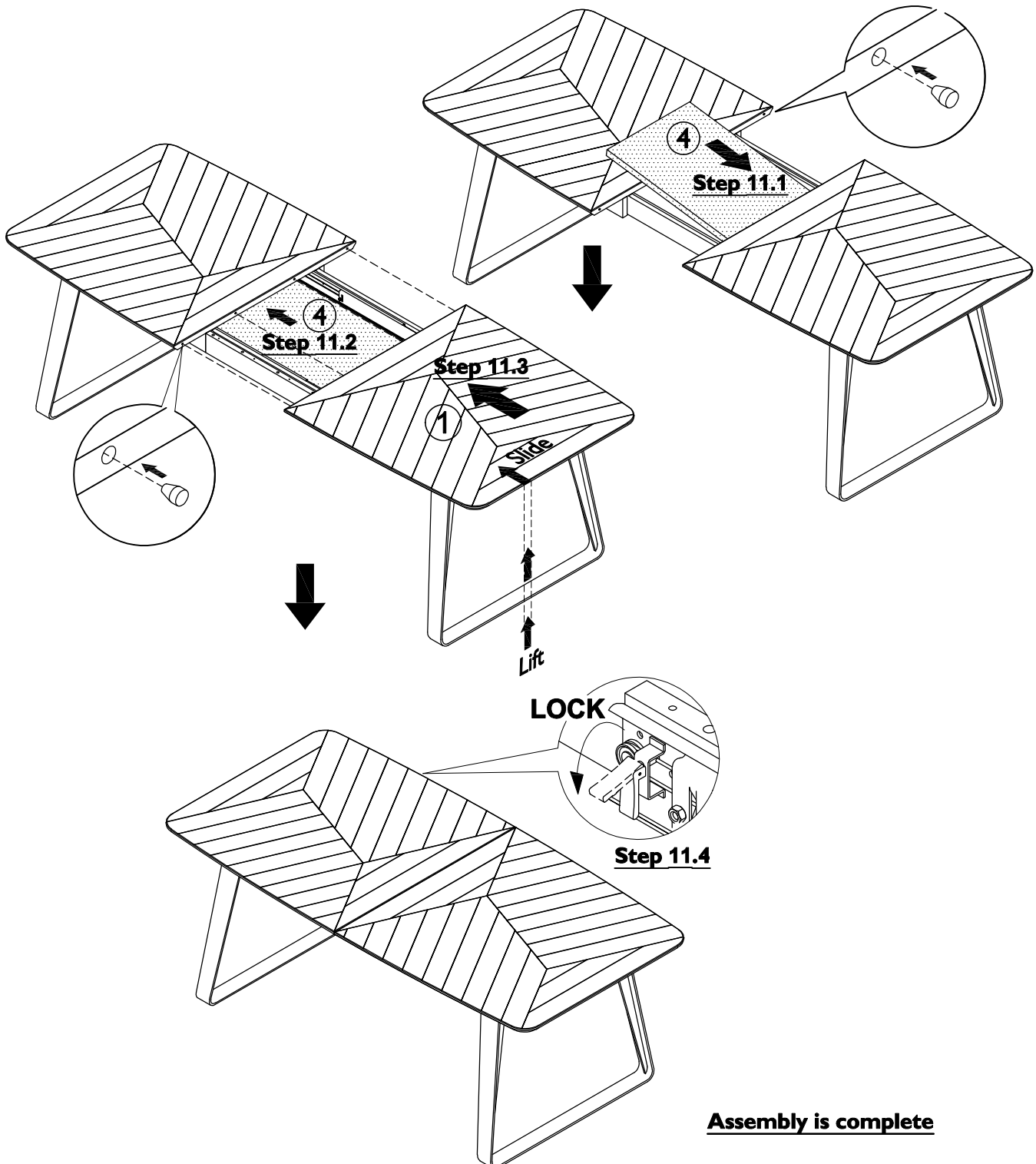
10.1 : Place leaf (3) and corovin storage bag (4) onto a flat, stable, clean and soft surface.

10.2 : Place the leaf (3) into corovin storage bag (4) as shown.



# Step By Step Assembly Instructions

- Step 11**
- 11.1 : Carefully place corovin storage bag (4) with leaf (3) onto wood support storage under table top as shown.
  - 11.2 : Slide parts (3) & (4) onto the left side to the end of table top (1) as shown.
  - 11.3 : Close the table by lifting up the metal leg, then slide the structure all the way in as shown. Ensure the metal pins on table top (1) are aligned correctly with the mating holes before closing.
  - 11.4 : Ensure that you have locked the slides after closing the table.



**Assembly is complete**