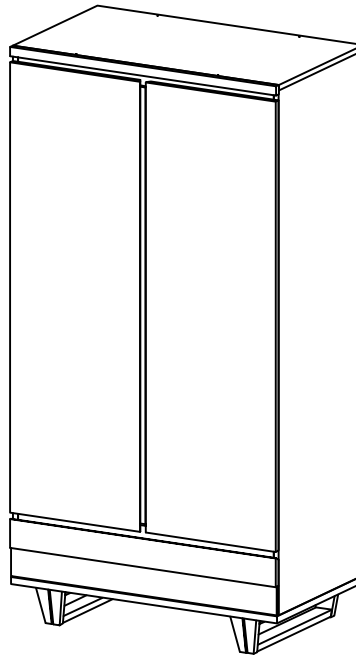


DOUBLE WARDROBE

Stock number: 4207-82

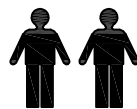
Thank you for purchasing this product. Please read the instructions carefully before use to ensure safe and satisfactory operation of this product.



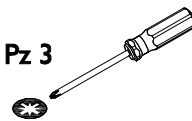
Pre-assembly preparation

Please ensure instructions are read in full before attempting to assemble this product.

Necessary Tools : Pozi screwdriver and Phillips screwdriver



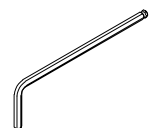
Pz 2 or Pz 3



Ph 2



(Included)



Please check the pack contents before attempting to assemble this product. A full checklist of components is given in this leaflet. If any components are missing, please contact the retailer from whom you bought this product.

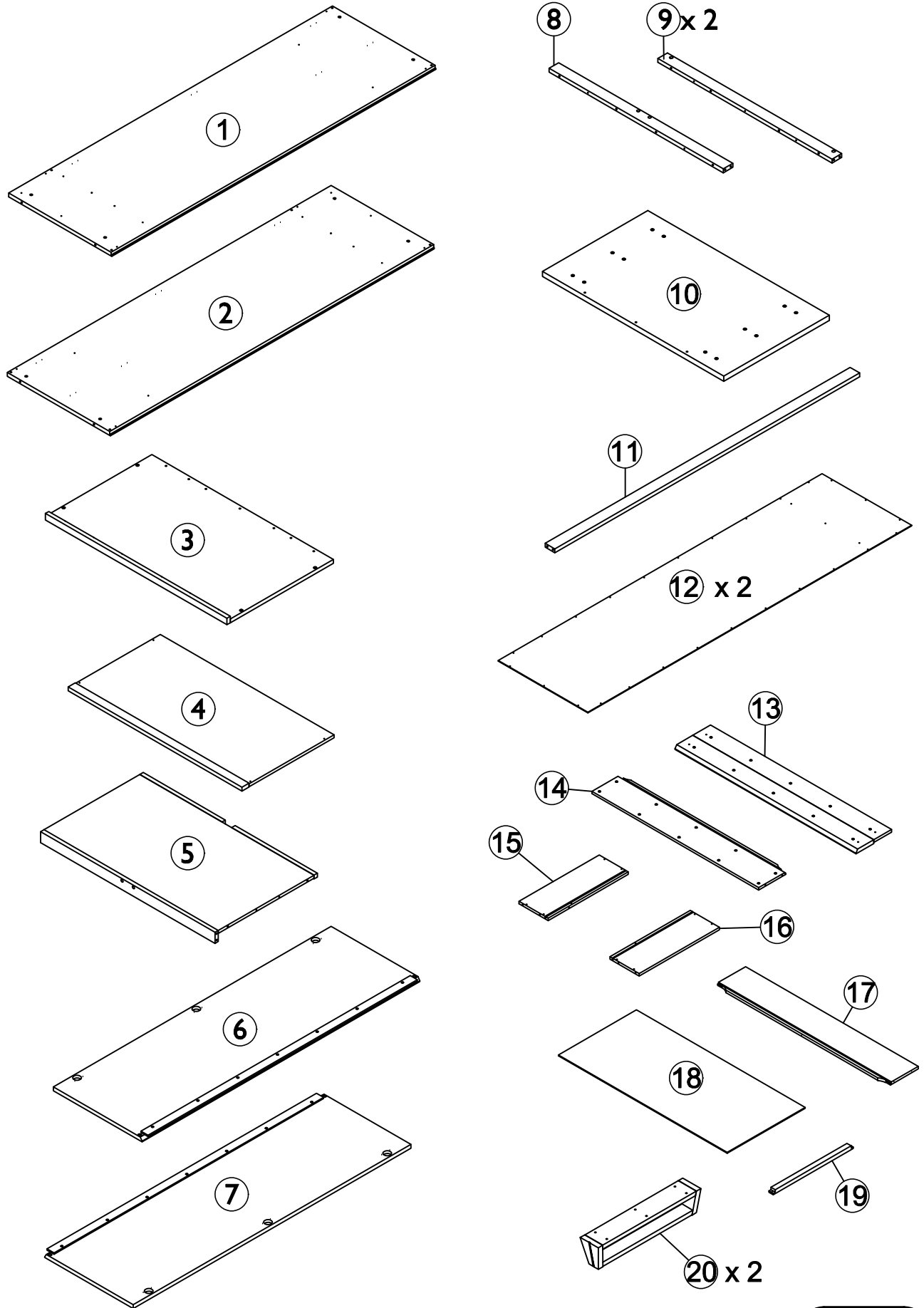
This product takes approximately **60 MINUTES** to assemble with **2 PEOPLE**.

All assembly should be performed on a flat, stable, clean and soft surface.

This product is **HEAVY**, it should be assembled as near as possible to the point of use. **TAKE CARE WHEN LIFTING** to avoid personal injury and (or) damage to the product

The fitting pack contains **SMALL ITEMS** which should be **KEPT AWAY FROM YOUNG CHILDREN**.



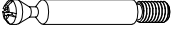






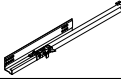

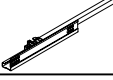
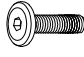
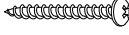





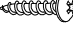







IMPORTANT: Retain these instructions for future reference.



Parts checklist

Item	Description	Qty.	Item	Description	Qty.
1	Side panel left	x 1	11	Vertical back rail	x 1
2	Side panel right	x 1	12	Back panel	x 2
3	Top frame	x 1	13	Drawer front	x 1
4	Removable shelf frame	x 1	14	Drawer front inner	x 1
5	Fixed shelf frame	x 1	15	Drawer side left	x 1
6	Left door	x 1	16	Drawer side right	x 1
7	Right door	x 1	17	Drawer back	x 1
8	Inner front rail	x 1	18	Drawer bottom	x 1
9	Back rail	x 2	19	Support drawer	x 1
10	Bottom panel	x 1	20	Leg frame	x 2

Fittings checklist

Item	Description	Qty.	Item	Description	Qty.
A	Steel dowel Ø7 x 72.5mm 	x 4	Q	Hinge arm 	x 6
B	Steel dowel Ø7 x 52mm 	x 4	R	Metric bolt M4 x 15mm 	x 10
C	Grub screw Ø8 x 8mm 	x 8	S	Confirmat screw Ø7 x 50mm 	x 8
D	Cam lock (18/19mm panel) 	x 6	T	Round head screw Ø3.5 x 18mm 	x 58
E	Cam lock (15/16mm panel) 	x 4	U	Left runner 	x 1
F	Cam screw Ø7 x 44.5mm 	x 12	V	Right runner 	x 1
G	Hex head bolt M6 x 30mm 	x 12	W	Round head screw Ø4 x 30mm 	x 4
H	Wooden dowel Ø6 x 30mm 	x 12	X	Wood shelf support 	x 4
J	Wooden dowel Ø8 x 30mm 	x 24	Y	Flat head screw Ø4 x 15mm 	x 2
K	Hanger rail support 	x 4	Z	Round head screw Ø4 x 18mm 	x 2
L	Hanger rail 	x 1	dd	Allen key M4 x 30 x 110mm 	x 1
M	Varianta screw Ø4.2 x 10.5mm 	x 32	ee	Felt Ø20 x 6 	x 4
N	Varianta screw Ø6 x 13.5mm 	x 4	ff	Cam lock (18/19mm panel) 	x 2
P	Hinge mounting plate 	x 6			

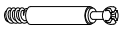
Step by step assembly instructions

Step 1

- 1.1 : Lay all parts onto a flat, stable, clean and soft surface.
- 1.2 : Attach 12x cam screws (F) into the pre-drilled holes on side panels (1) & (2) as shown. Use a pozi screwdriver to turn fittings (F) clockwise to fix.
- 1.3 : Attach 4x hanger rails support (K) onto the pre-drilled holes on side panels (1) and (2) using 8x varianta screws (M) as shown. Use a screwdriver to turn fittings (M) clockwise to fix.
- 1.4 : Attach left runner (U) and right runner (V) onto the pre-drilled holes on side panels (1) & (2) using 4x varianta screws (N) and 2x flat head screws (Y) as shown. Use a screwdriver to turn fittings (N) & (Y) clockwise to fix as shown.
- 1.5 : Attach 6x hinge mounting plates (P) onto side panels (1), (2) using 12x varianta screws (M) as shown. Use a screwdriver to turn fittings (M) clockwise to fix.

Note : The metal edges may be sharp, please use care when attaching to the panels.

Fitting



F x 12



K x 4



M x 20



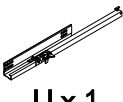
N x 4



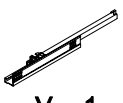
Y x 2



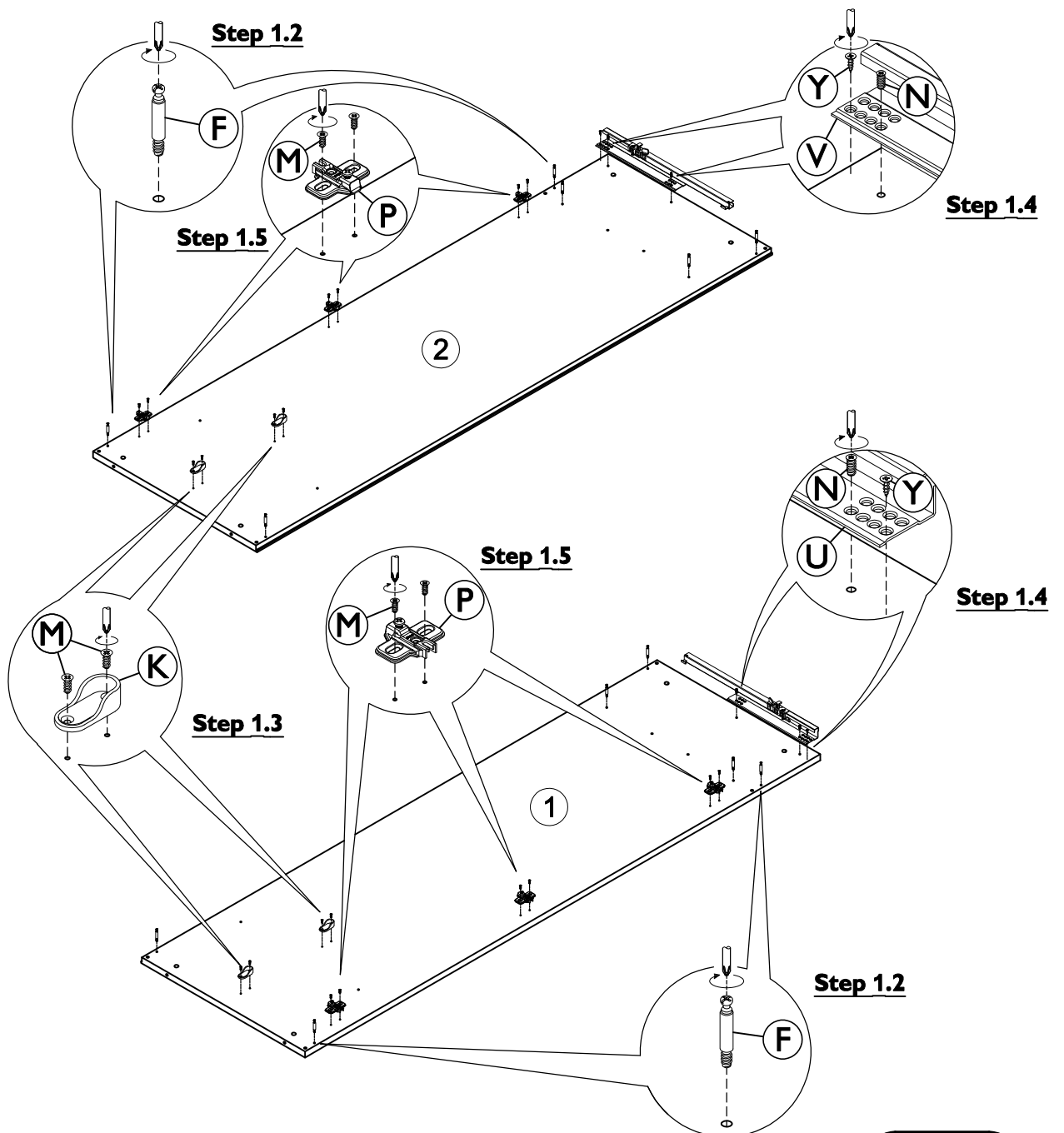
P x 6



U x 1

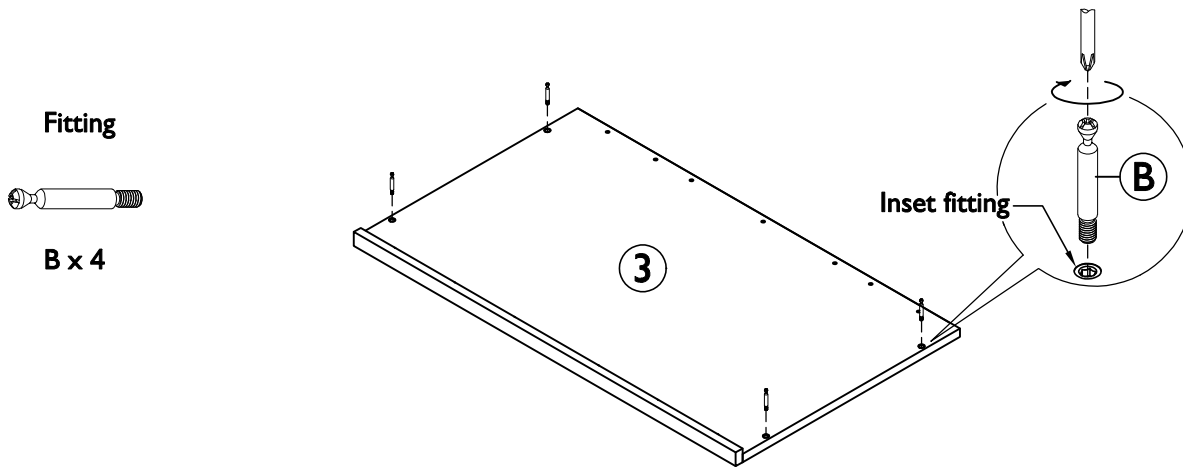


V x 1

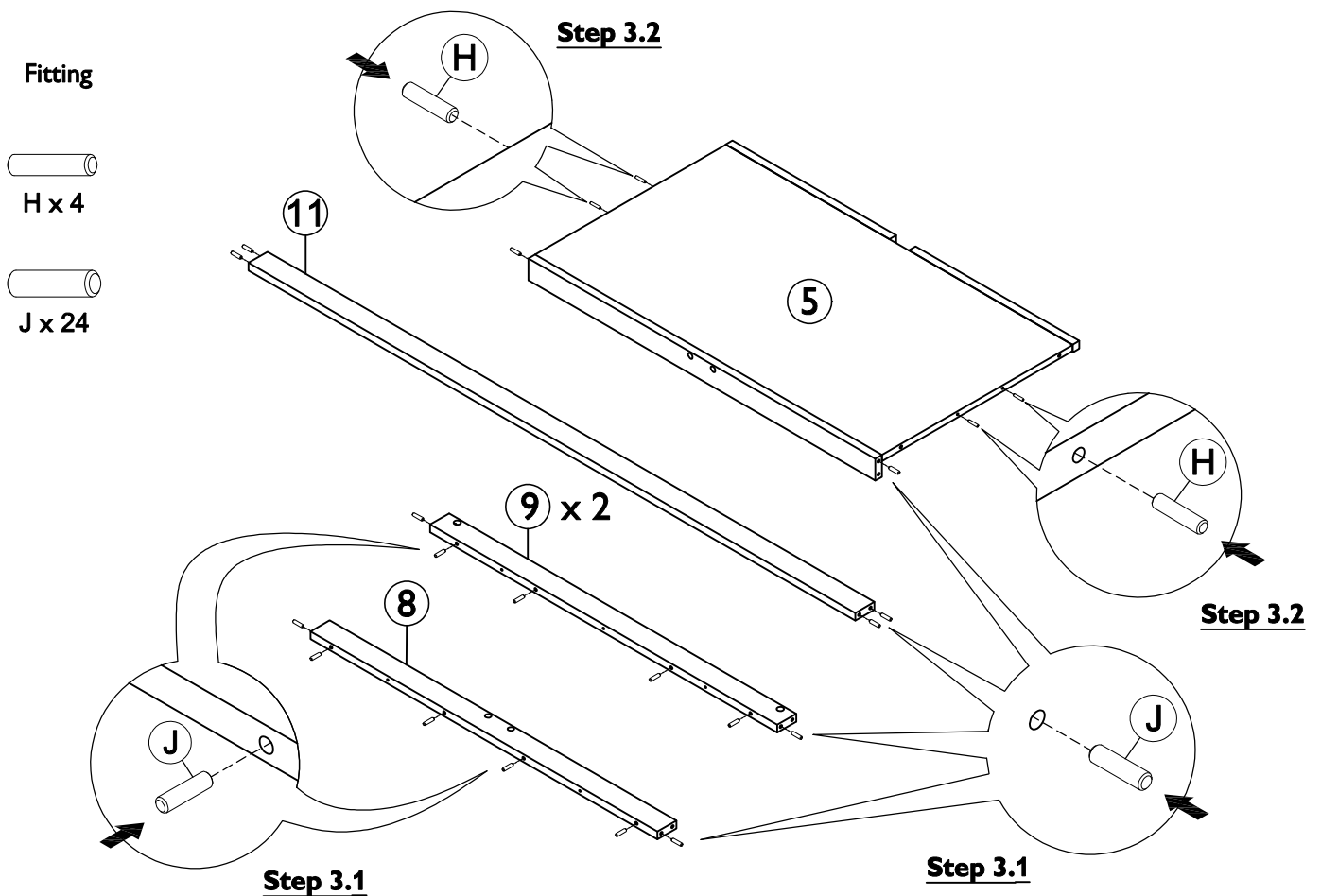


Step by step assembly instructions

Step 2 : Attach 4x steel dowels (B) by screwing fittings (B) into the insert fitting onto that are located on top frame (3) as shown. Use a pozi screwdriver to turn fittings (B) clockwise to fix.

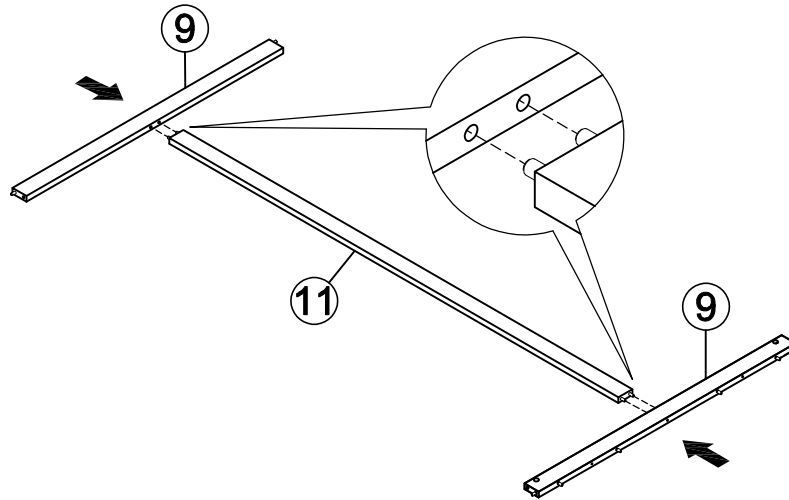


Step 3 3.1 : Insert 24x wooden dowels (J) into the pre-drilled holes on fixed shelf frame (5), inner front rail (8), back rails (9) and vertical back rail (11) as shown.
3.2 : Insert 4x wooden dowels (H) into the pre-drilled holes on fixed shelf frame (5) as shown.



Step by step assembly instructions

Step 4 : Attach back rails (9) onto vertical rail (11) as shown. Ensure wooden dowels (J) are aligned correctly with the holes of mating parts before attaching.



Step 5

5.1 : Attach the structure assembled in **Step 4**, fixed shelf (5) and inner front rail (8) onto right side panel (2) as shown. Ensure cam screws (F) and dowels (J), (H) are aligned correctly with the holes of mating parts before attaching.

5.2 : Secure all parts (8), (9) to part (2) using 3x cam locks (D) as shown. Use a pozi screwdriver to turn fittings (D) clockwise to fix.

5.3 : Secure part (5) to part (2) using 2x cam locks (E) and 1x cam lock (ff) as shown. Use a pozi screwdriver to turn fittings (E), (ff) clockwise to fix.

Fitting



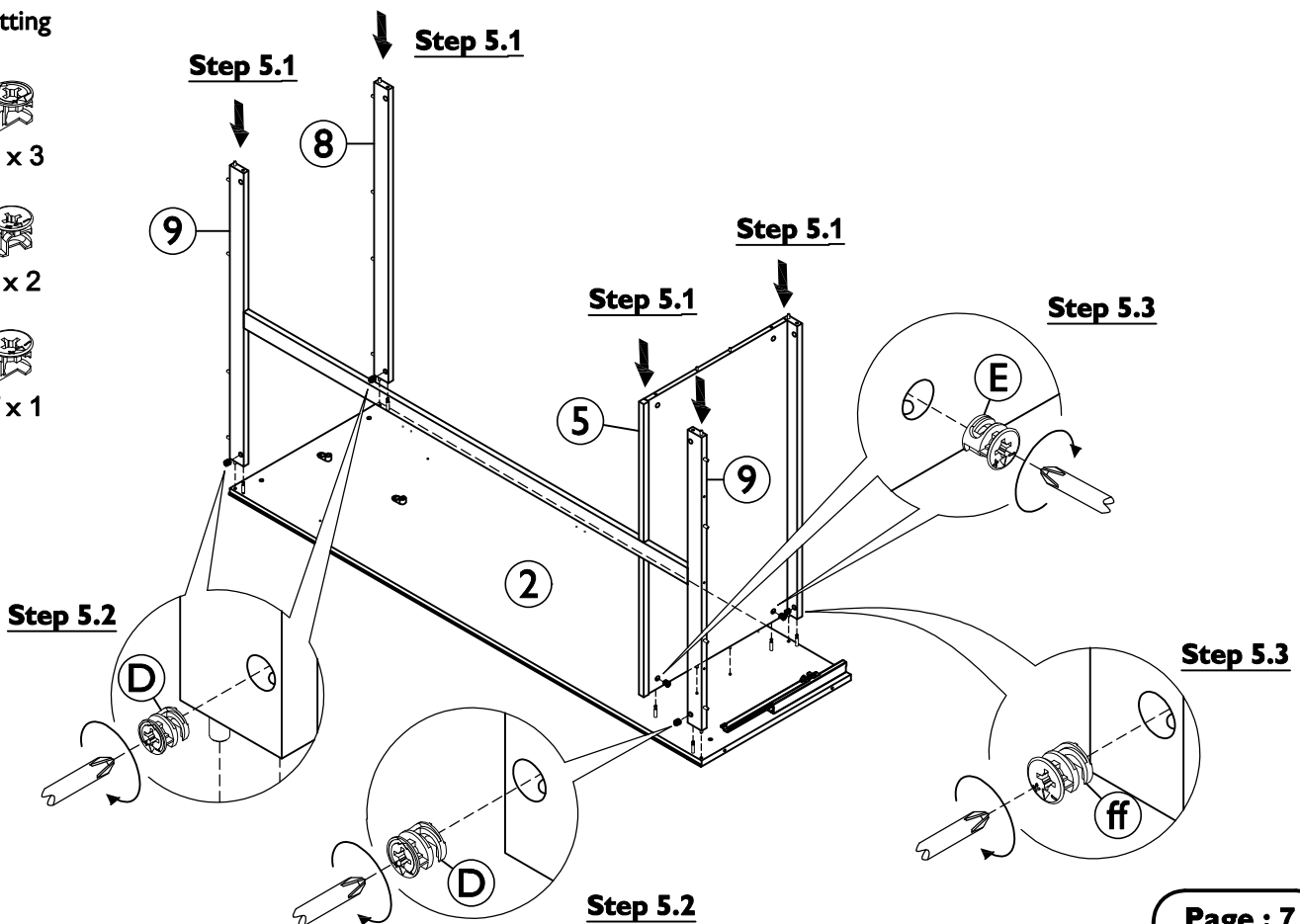
D x 3



E x 2



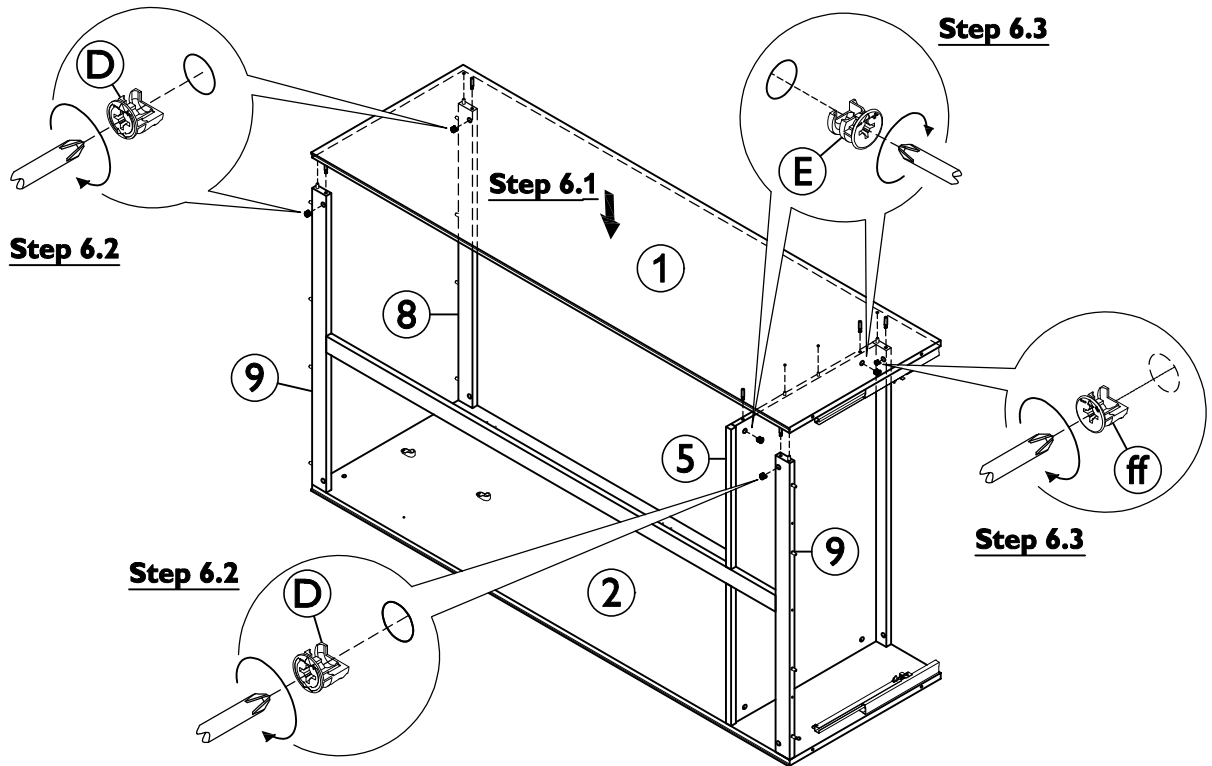
ff x 1



Step by step assembly instructions

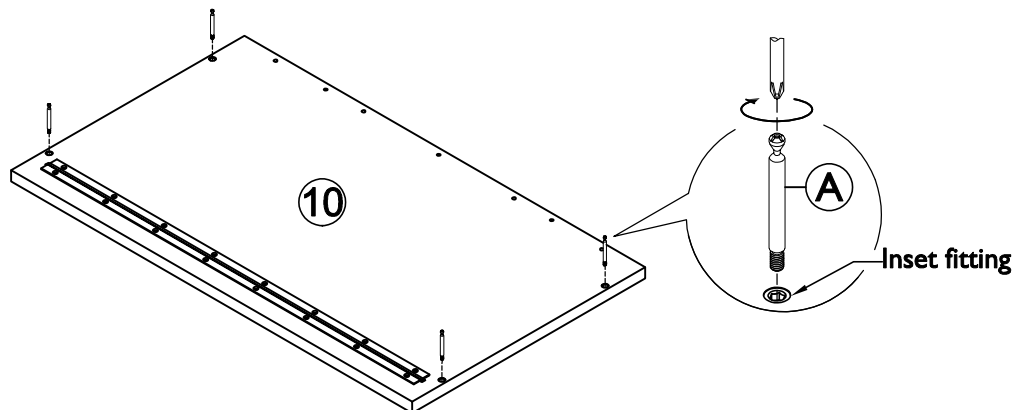
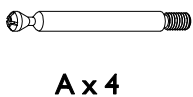
- Step 6**
- 6.1 : Attach left side panel (1) onto the structure assembled in **Step 5** as shown. Ensure cam screws (F) and dowels (J), (H) are aligned correctly with the holes of mating parts before attaching.
 - 6.2 : Secure part (1) to part (2) using 3x cam locks (D) as shown. Use a pozi screwdriver to turn fittings (D) clockwise to fix.
 - 6.3 : Secure part (1) to part (5) using 2x cam locks (E) and 1x cam lock (ff) as shown. Use a pozi screwdriver to turn fittings (E), (ff) clockwise to fix.

Fitting



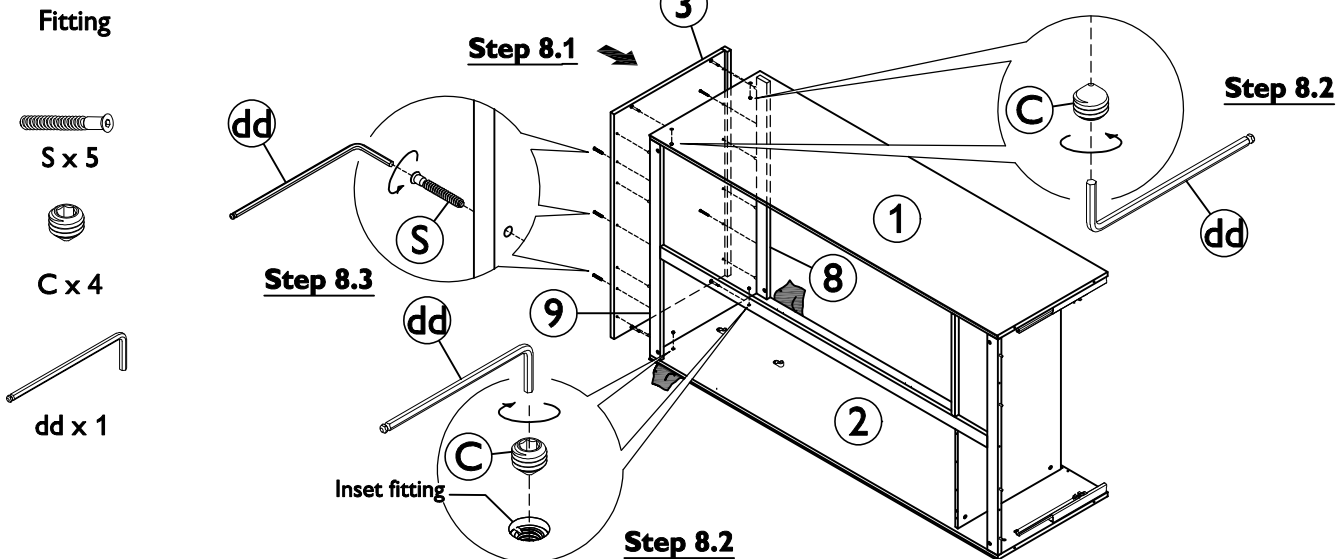
- Step 7** : Attach 4x steel dowels (A) by screwing fittings (A) into the insert fitting onto that are located on part (10) as shown. Use a pozi screwdriver to turn fittings (A) clockwise to fix.

Fitting

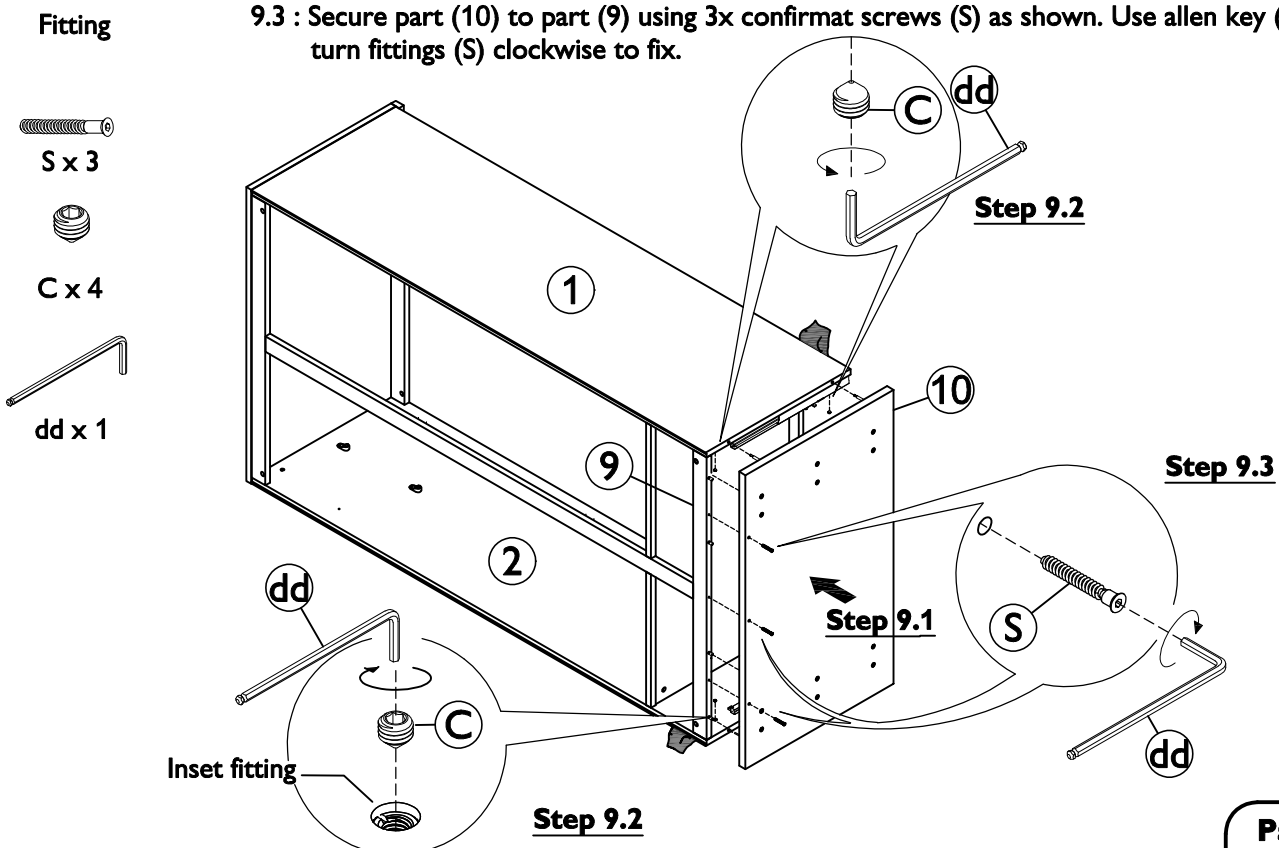


Step by step assembly instructions

- Step 8**
- 8.1 : Attach top frame (3) onto the structure assembled in **Step 6** as shown. Ensure steel dowels (B) and wooden dowels (J) are aligned correctly with the holes of mating parts before attaching.
- 8.2 : Secure part (3) to parts (1) & (2) using 4x grub screws (C) as shown. Use allen key (dd) to turn fittings (C) clockwise to fix.
- 8.3 : Secure part (3) to parts (8) & (9) using 5x confirmat screws (S) as shown. Use allen key (dd) to turn fittings (S) clockwise to fix.



- Step 9**
- 9.1 : Attach bottom panel (10) onto the structure assembled in **Step 7** as shown. Ensure steel dowels (A) and wooden dowels (J) are aligned correctly with the holes of mating parts before attaching.
- 9.2 : Secure part (10) to parts (1) & (2) using 4x grub screws (C) as shown. Use allen key (dd) to turn fittings (C) clockwise to fix.
- 9.3 : Secure part (10) to part (9) using 3x confirmat screws (S) as shown. Use allen key (dd) to turn fittings (S) clockwise to fix.



Step by step assembly instructions

Step 10 10.1: Attach back panels (12) onto back side of the unit using 58x round head screws (T) as shown. Use a screwdriver to turn fittings (T) clockwise to fix.

10.2 : Attach leg frames (20) onto bottom panel (10) as shown.

10.3 : Secure leg frames (20) to bottom panel (10) using 12x hex head bolts (G) as shown. Use allen key (dd) to turn fittings (G) clockwise to fix.

10.4 : Remove the plastic from 4x felts (ee) and stick felts (ee) onto under legs as shown.

10.5 : Stand the unit upright.

Fitting



G x 12

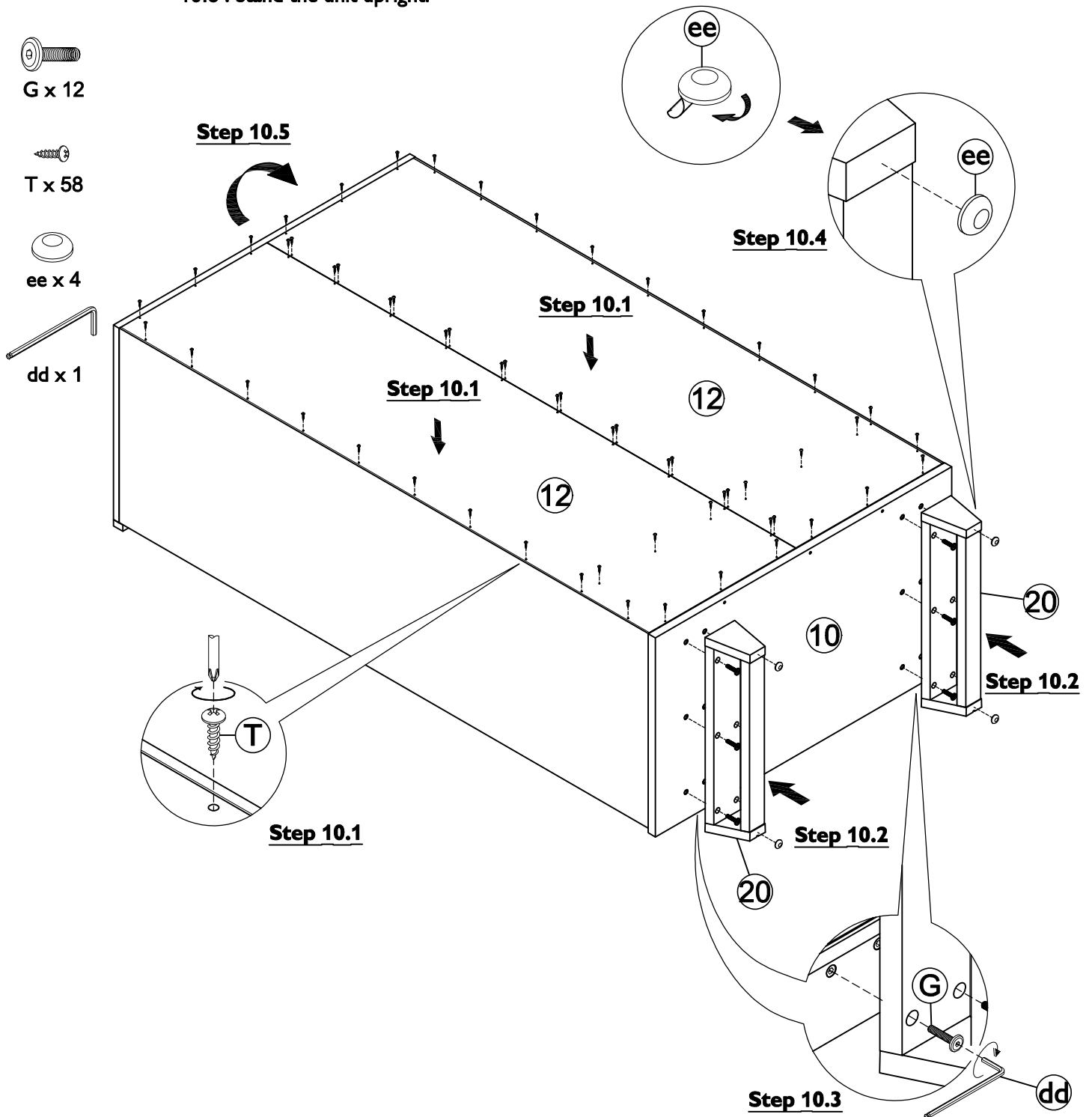


T x 58



ee x 4

dd x 1



Step by step assembly instructions

Step 11 : Attach 6x hinge arms (Q) onto the pre-drilled holes on door panel left (6) & door panel right (7) using 12x varianta screws as shown. Use a screwdriver to turn fittings (M) clockwise to fix.

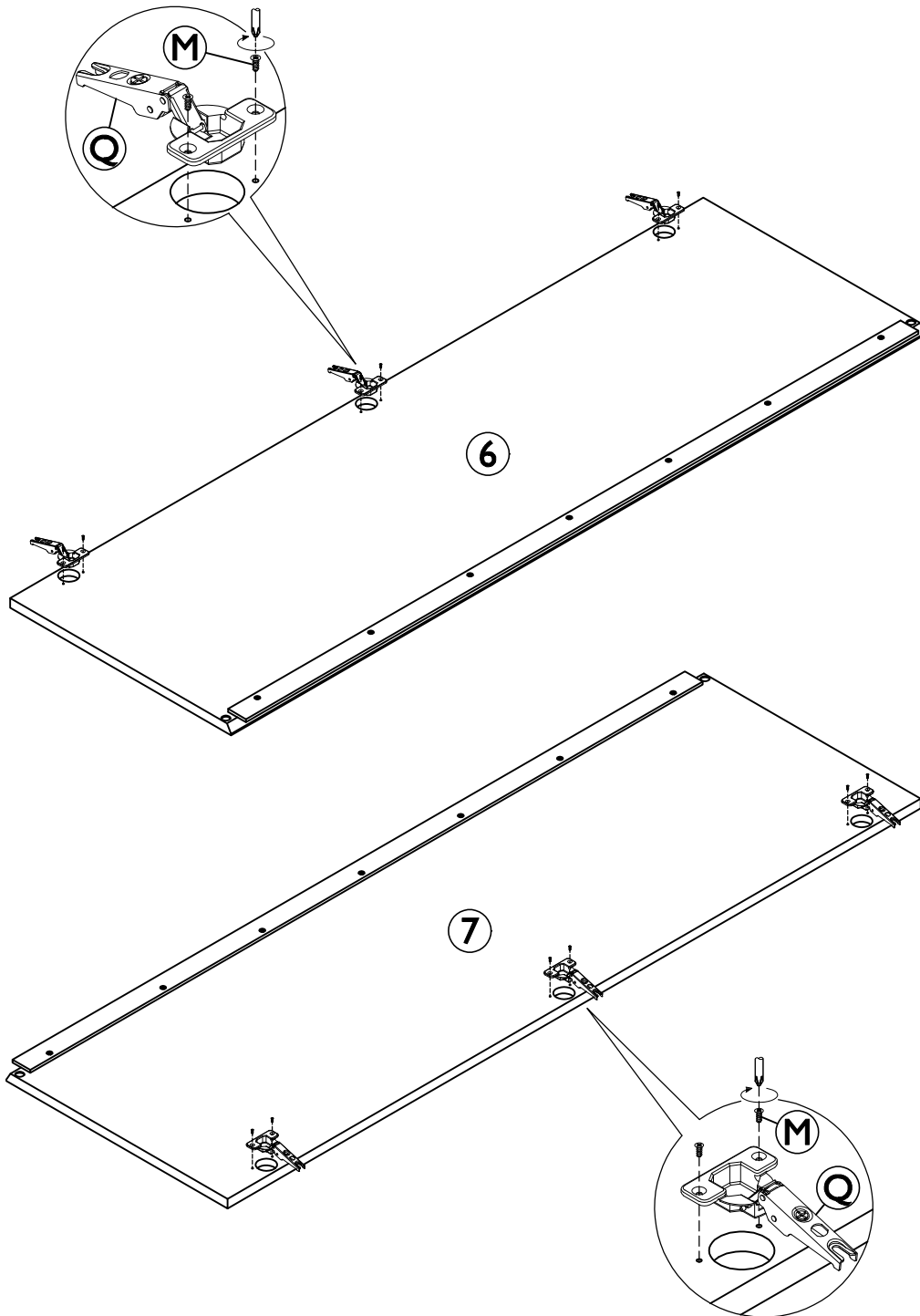
Fitting



Q x 6

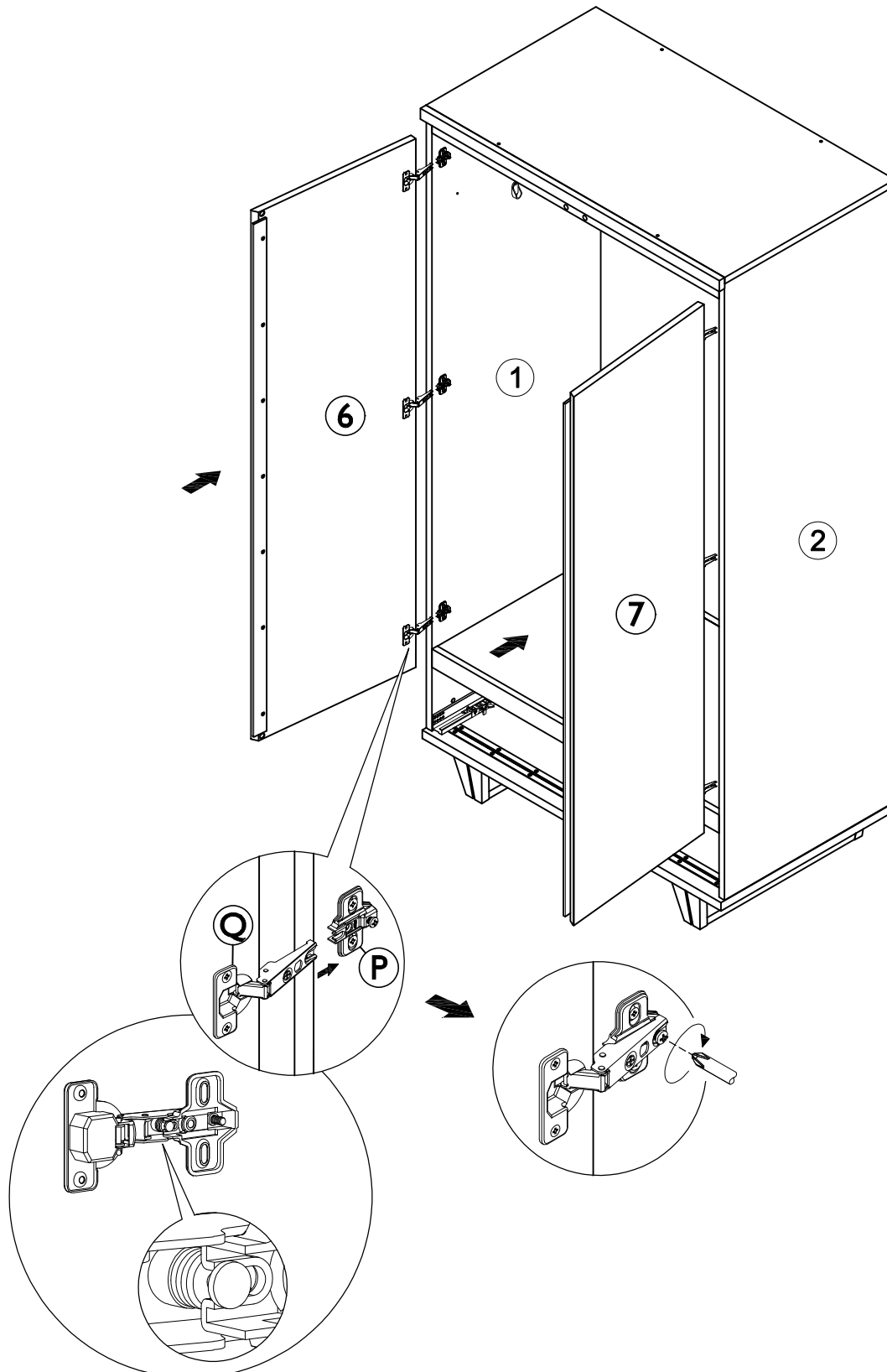


M x 12



Step by step assembly instructions

- Step 12** : Attach 2x door panels (6), (7) to side panels (1), (2) by sliding hinge arms (Q) on door panels (6), (7) onto hinge mounting plates (P) on parts (1), (2) as shown. Ensure the hinge arms and hinge mounting plates are aligned correctly before attaching. Use a screwdriver to turn screws on hinge mounting plates clockwise to fix.



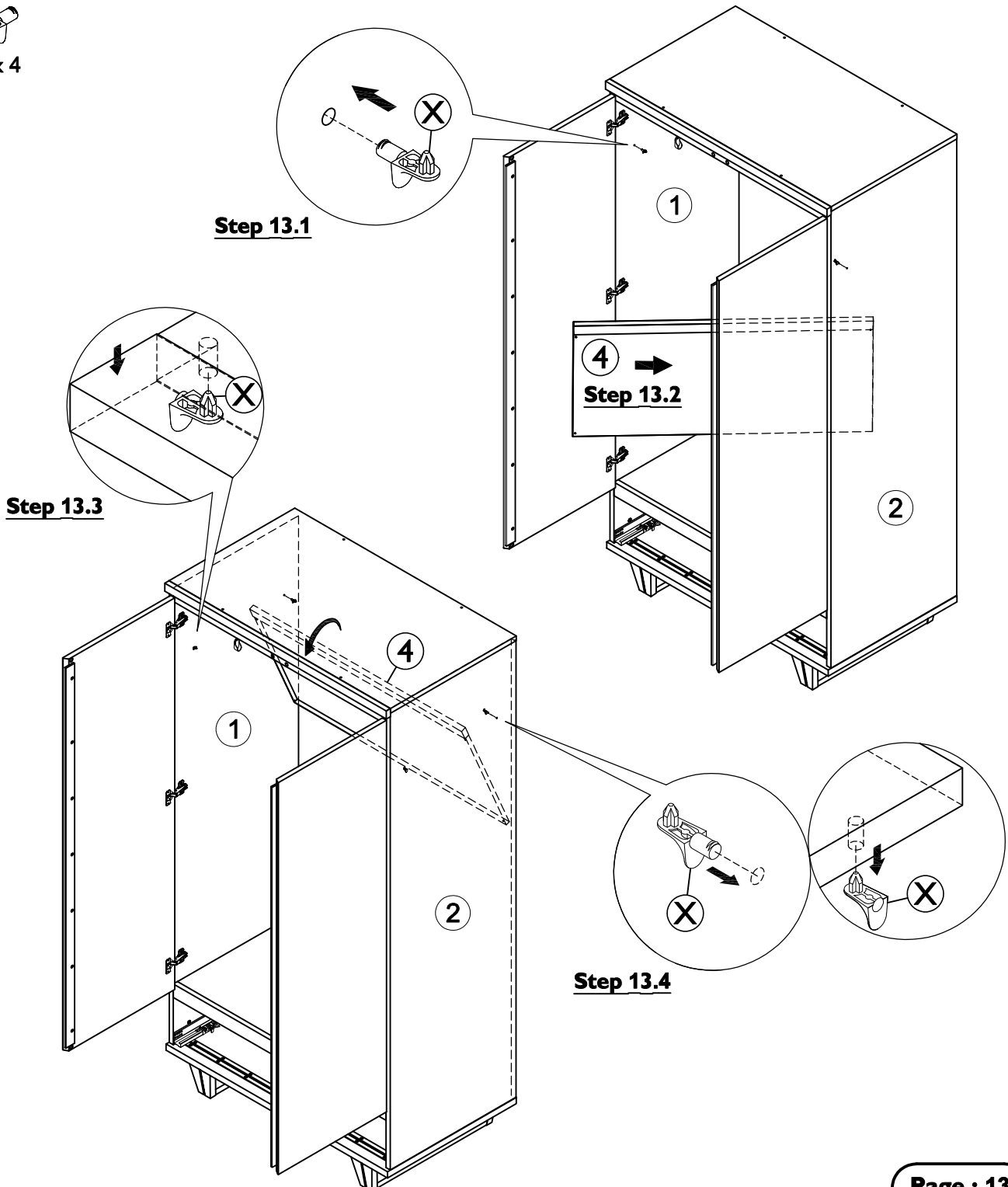
Step by step assembly instructions

- Step 13** 13.1 : Insert 2x wood shelf supports (X) into the pre-drilled holes on left and right side panels (1) & (2) as shown.
- 13.2 : Tilt removable shelf frame (4) to a suitable angle as shown in the picture so as to slide it in.
- 13.3 : Slide removable shelf frame (4) into the unit as shown. Ensure the holes on shelf are facing down, then place it onto the pins of wood shelf support (X) as shown.
- 13.4 : Insert 2x wood shelf supports (X) into the pre-drilled holes on left and right side panel (1) & (2) as shown. Lower removable shelf frame (4) onto the pins of wood shelf supports (X) as shown.

Fitting



X x 4



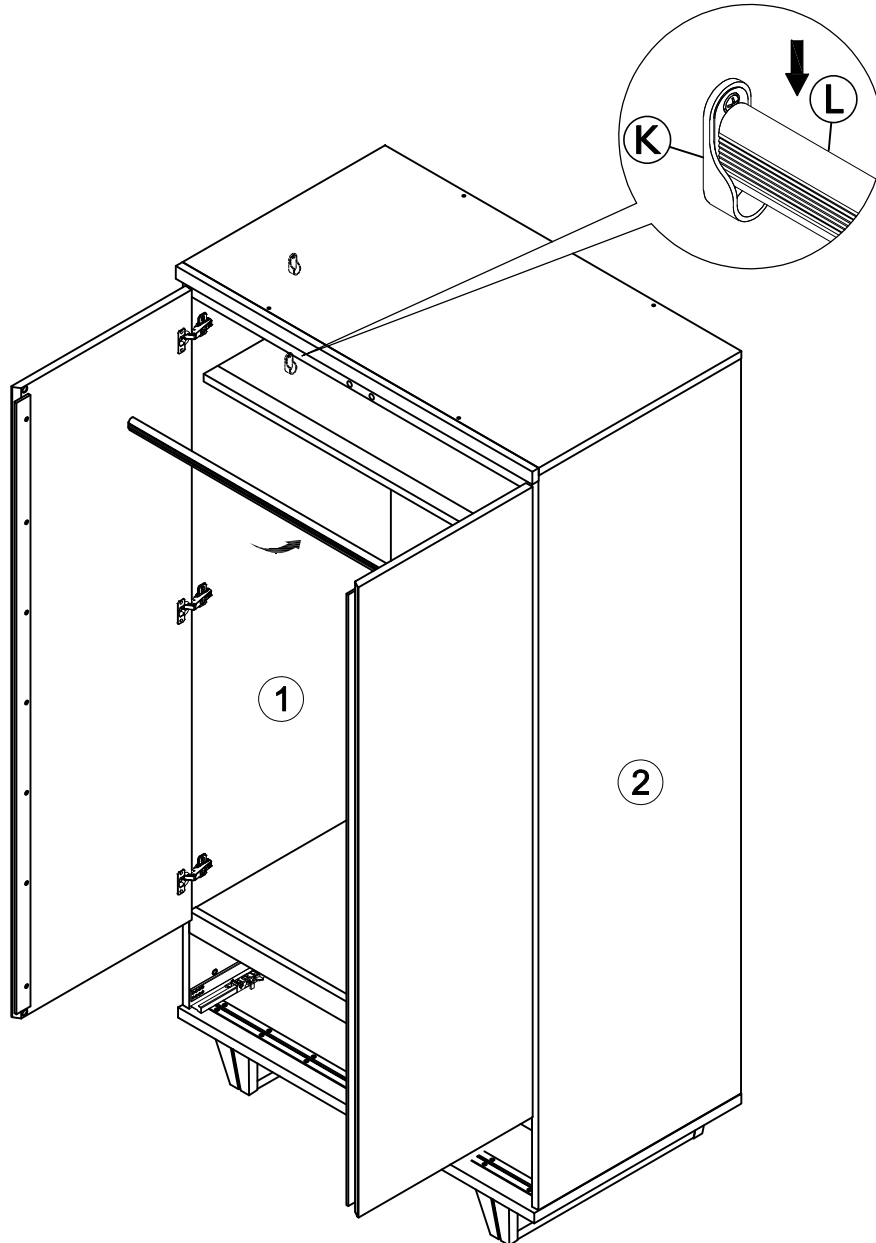
Step by step assembly instructions

Step 14 : Place 1x hanger rails (L) onto hanger rail supports (K) on side panels (2) & (3) as shown.
Note : Hanger rail (L) can be installed in both up and down of the cabinet.

Fitting



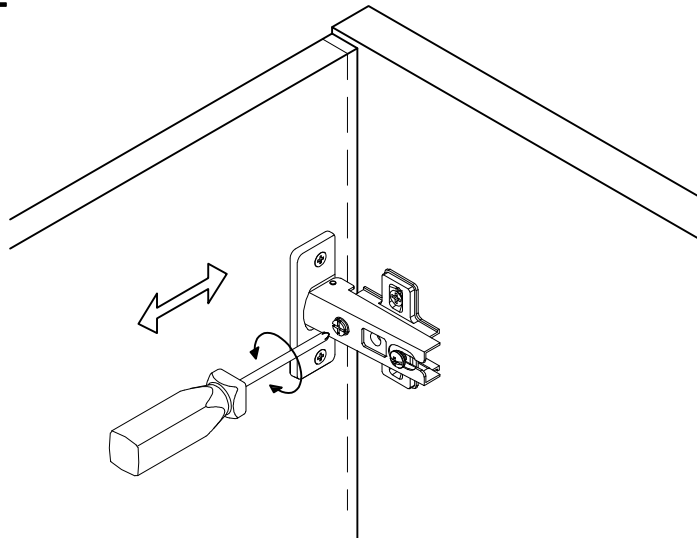
L x 1



Hinge adjustment instructions

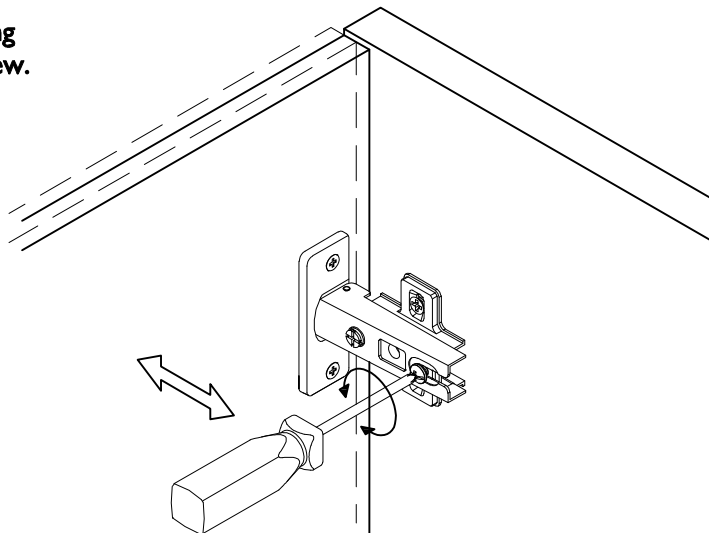
LATERAL ADJUSTMENT

by screw adjustment.



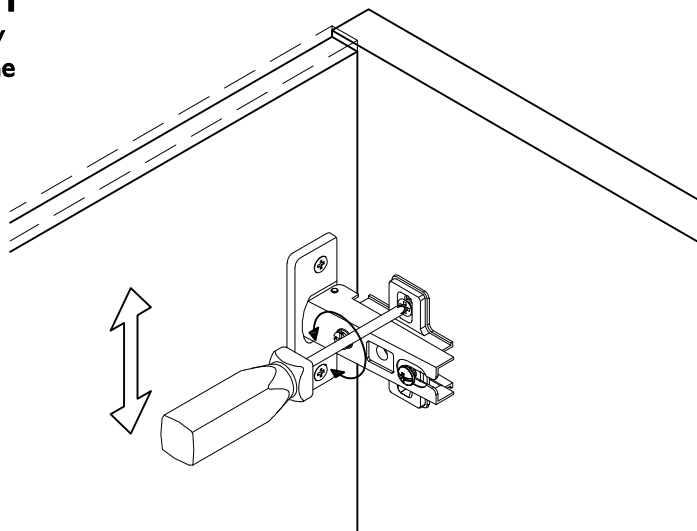
FRONT-TO-BACK

by slackening and retightening the hinge-arm mounting screw.



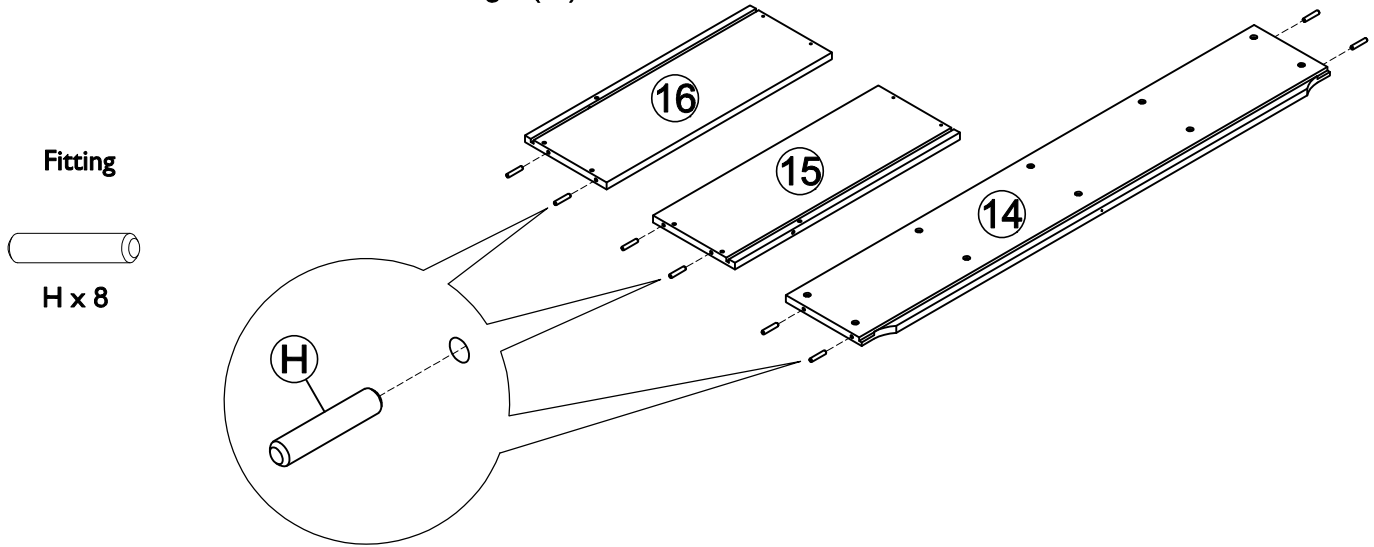
VERTICAL ADJUSTMENT

via slots on mounting plate by slackening and retightening the screws on mounting plate



Step by step assembly instructions

Step 15 : Attach 8x wooden dowels (H) onto drawer front inner (14), drawer side left (15) and drawer side right (16) as shown.

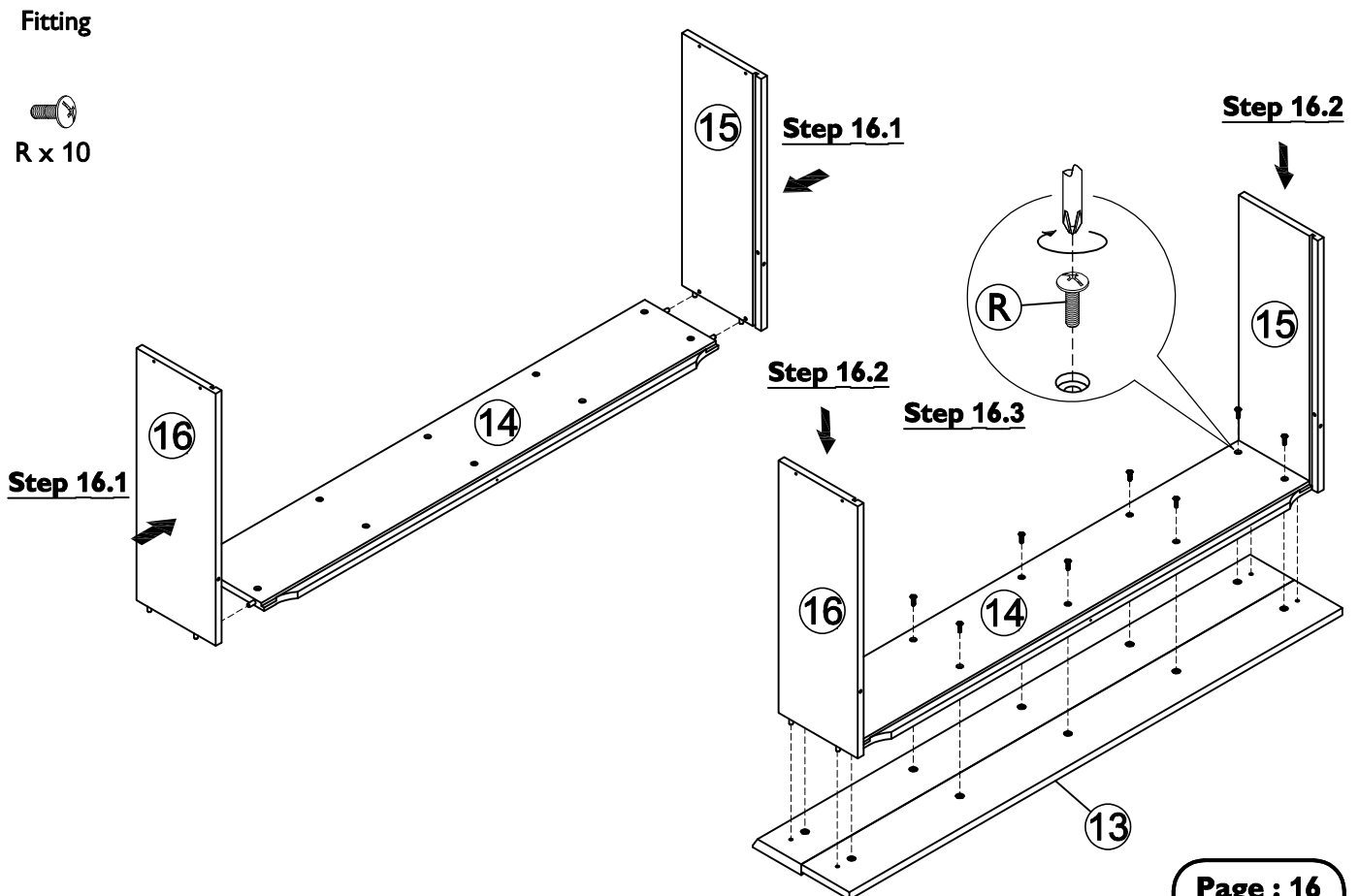


Step 16

16.1 : Attach drawer sides (15) & (16) onto drawer front inner (14). Ensure wooden dowels (H) are aligned correctly with the holes of mating parts before attaching.

16.2 : Attach the structure assembled in **Step 16.1** onto drawer front (13). Ensure wooden dowels (H) are aligned correctly with the holes of mating parts before attaching.

16.3 : Secure drawer front inner (14), sides drawer (15) & (16) to drawer front (13) using 10x metric bolt (R) as shown. Use a screwdriver to turn fittings (R) clockwise to fix.



Step by step assembly instructions

Step 17

17.1 : Slide drawer bottom (18) into the slots inside drawer sides (15) & (16) as shown. Ensure the drawer bottom (18) are placed completely in the slot of drawer inner front (14).

17.2 : Secure support drawer bottom (19) onto drawer front inner (14) using 1x round hex screw (Z) as shown. Use a pozi screwdriver to turn fittings (Z) clockwise to fix.

Fitting

17.3 : Place drawer back (17) onto the top of constructed drawer box. Ensure the slot under drawer back (17) are aligned correctly with drawer bottom (18) before attaching.

17.4 : Secure drawer back (17) to the drawer box using 4x round head screws (W) as shown. Use a screwdriver to turn fittings (W) clockwise to fix.

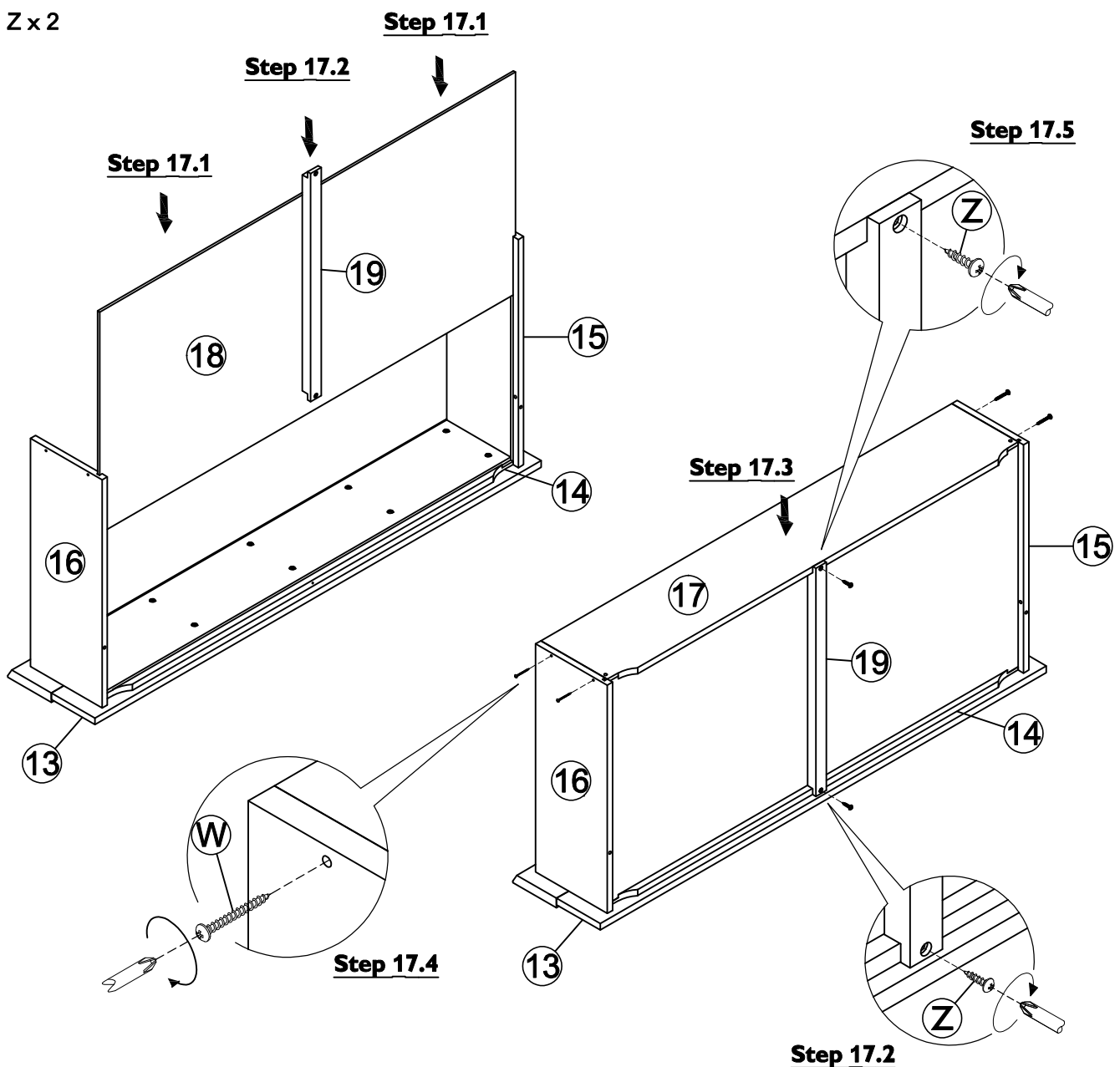
17.5 : Secure support drawer bottom (19) to drawer back (17) using 1x round head screw (Z) as shown. Use a screwdriver to turn fittings (Z) clockwise to fix.



W x 4

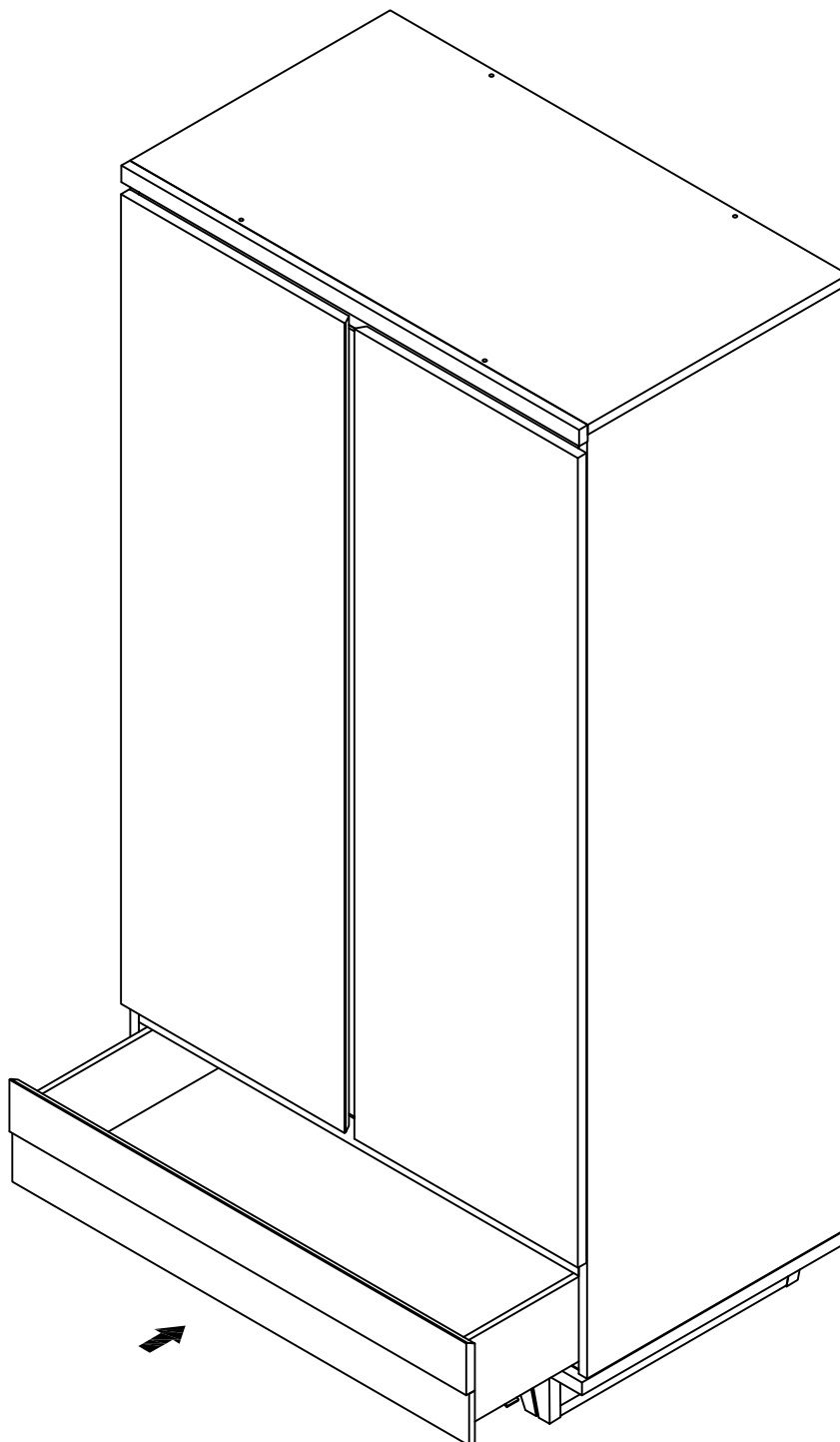


Z x 2



Step by step assembly instructions

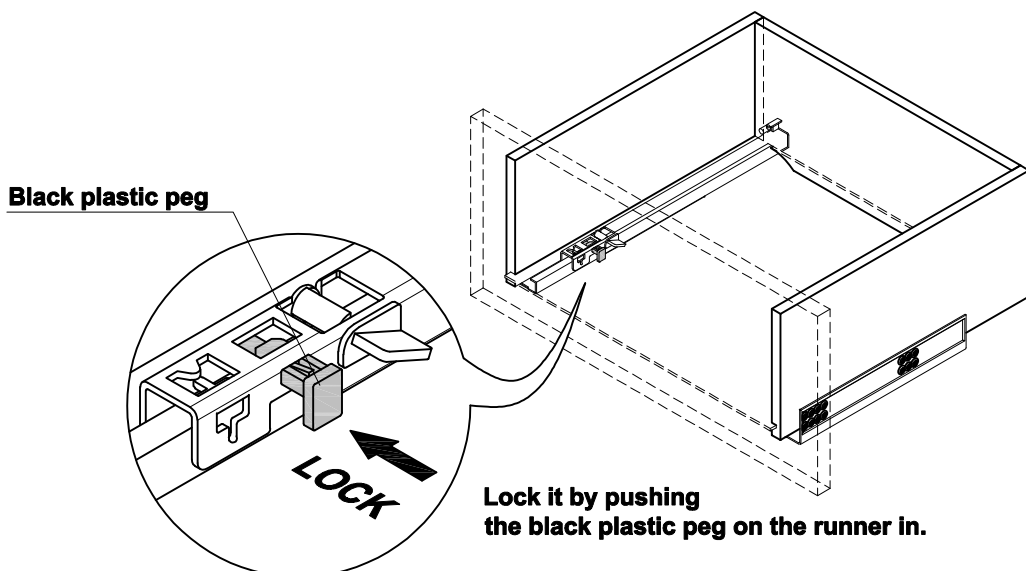
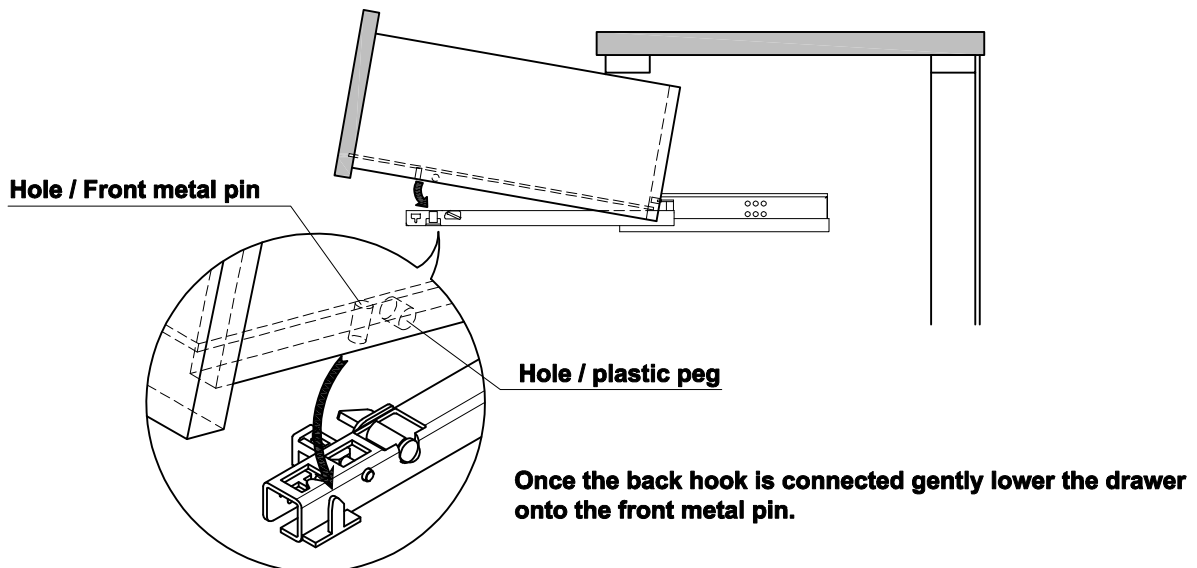
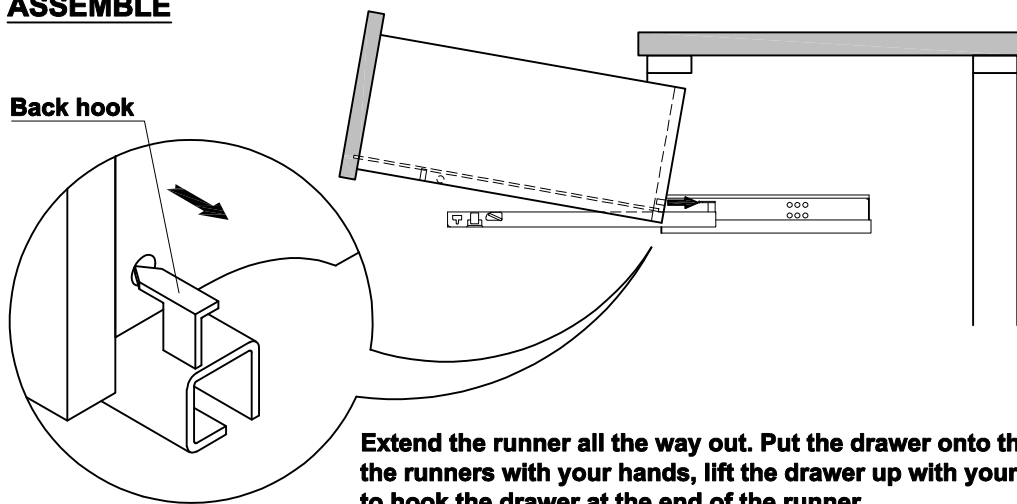
Step 15 : Insert the assembled drawer into the unit as shown.



Assembly is complete.

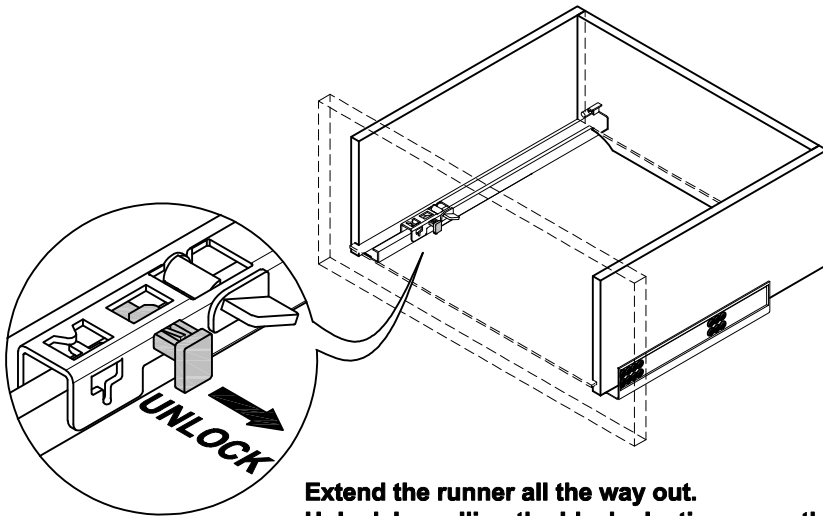
TANDEM RUNNER ADJUSTMENT INSTRUCTION

ASSEMBLE

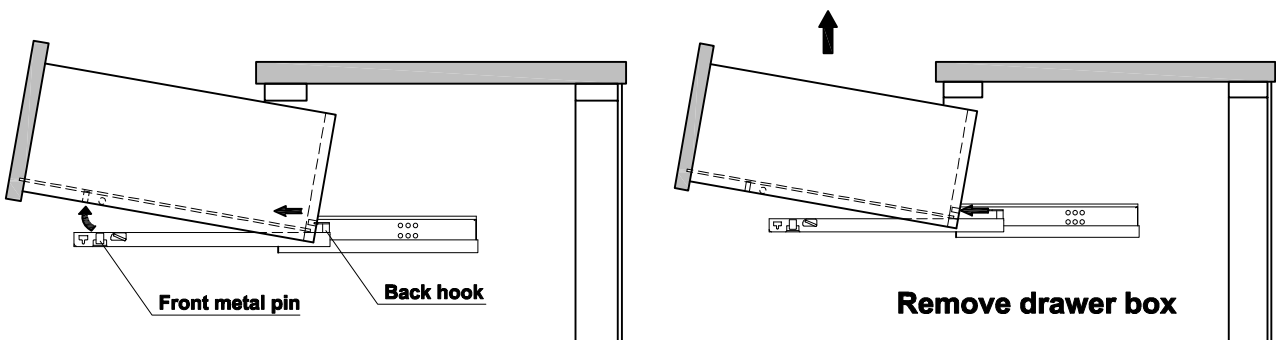


TANDEM RUNNER ADJUSTMENT INSTRUCTION

REMOVE

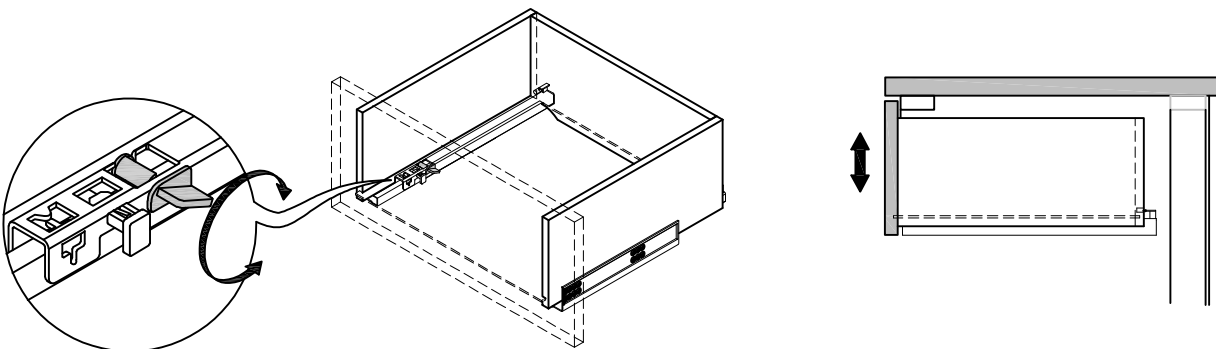


Extend the runner all the way out.
Unlock by pulling the black plastic peg on the runner out.



Hold runners with both of your hands.
Carefully lift the drawer front up from the front metal pin, then slide forward to remove from back hooks.

VERTICAL ADJUSTMENT (± 2.5 mm)



GENERAL CARE FOR FURNITURE

(Please keep these guidelines for future reference)

Furniture containing primarily wood:

Wood displays different grain patterns depending on which way they are cut - for example, the 'medullary ray' which can appear on oak furniture is a mark of good quality timber - these are just characteristics of the natural beauty of the wood. Some furniture is also deliberately aged and rustic. Wood veneers also allow distinctive patterns to be created on some surfaces, such as table tops and drawer fronts by the way slivers are arranged. All timber and veneer surfaces will change colour and mellow over time. New furniture will initially vary in shade from items that have been previously purchased.

1. Do not use abrasive cleaner or harsh detergent as this can damage the surface of the furniture

- Do not use abrasive detergents or powders. Dust with a clean, lint free cloth.
- To remove normal stains or dirt use a mild detergent or non-abrasive cleaner diluted with warm water. (Immediately dry completely with clean soft cloth).
- Frequent dusting will remove abrasive build up, which can damage a finish over time.
- Spray polishes are best avoided as they contain silicones which may spoil the furniture's surface when building up over time.

2. Do not expose your furniture to direct sunlight.

- Excessive exposure to sunlight can cause fading of your furniture.
- Ornaments placed on the furniture surface should be periodically moved to avoid shading.

Extendable table warning:

Extendable dining tables should be left extended for the first few months to avoid an uneven appearance.

3. Never place household heating appliances or hot objects directly on any furniture surface.

- Always place a heat resistant coaster between your furniture and a hot object to protect your furniture.

4. Do not place your furniture near a heater, heat, dampness or moisture generating appliance.

- Extreme temperature and humidity changes can cause cracking and splitting.
- Some movement may be expected depending on environmental conditions.
- If the air is dry, some cracks may appear due to shrinkage.
- Our furniture will endure most temperatures in the home but it is best to avoid placing furniture next to heat sources such as radiators or fires.

5. Do not place rubber, cork, vinyl or plastic materials on the wood finish as chemicals within may react with the finish if left in contact for an extended period of time.

6. Do not expose your furniture to any liquids.

- All liquids should be wiped up immediately with a soft, slightly damp cloth in the direction of the wood grain. If sticky liquid residues do occur, they may be removed with a dilute solution of warm soapy water followed by a clean, damp sponge. The area should then be wiped immediately with a clean, soft white cloth until completely dry.
- Nail polish remover, hairspray, perfume, potpourri & any other products that contains solvents can damage surface; wood & upholstery finishes.

7. Please do not strike, hit or stand on furniture.

- Furniture is designed and built for its intended purpose.
- When writing, use a mat to protect the table or desk surface.

8. When moving furniture, please lift, do not drag. Protect the surface and corners from knocks & scratches.

- Take care when handling. Obtain assistance as necessary.
- Once in place make sure it stands level to ensure smooth opening of the doors and running of the drawers.

Chair warning:

Never lean back and tilt the chair. Ensure the chair is always placed firmly on the ground.

9. Furniture containing metal.

- **NEVER** use an abrasive cleaner or scourer as this will scratch the finish - use a damp cloth with either washing up liquid or soft soap.
- For fingerprints and smears use soap and warm water. Carefully sponge with a solution of mild soap and water. Rinse thoroughly afterwards with warm water. Wipe dry with a clean soft cloth. **Cleaning with chloride-containing detergents must be avoided.**

10. Furniture containing glass.

- Do not use abrasive cleaners to clean glass surface, use a damp cloth with either washing up liquid or soft soap.
- Do not place a heavy object on the glass surface. Do not strike the glass with a sharp object.
- Do not place felt with glue, cork or plastic dots between glass & finished surface since these items can react with a finish.

11. Furniture containing High Pressure Laminate.

- This material is both durable and strong and therefore more resistant to scratches, impact, and abrasion. The surface is resistant to water.

12. Furniture containing upholstery

- The upholstery should not be exposed for long periods to direct sunlight as this may cause fading and deterioration of the cover material.
- Protect from exposure to sources of heat such as radiators or open flames.
- It is recommended to give upholstery a frequent vacuuming or light brushing.
- It is very important to rub very gently to avoid colour change. This proper cleaning will prevent build-up of dust, soil and oils which can be damaging to the cover material.
- In the event of spillage it is imperative to act quickly. Carefully soak up any excess liquid, ideally using the edge of a white paper towel, then dab gently with a fresh towel taking care to avoid soaking in or spreading of the remaining liquid.

13. Any assembly required should follow the sequence of steps in the Assembly Instruction Sheet.

- Please retain assembly instructions and hardware for future reference and use.
- Periodically check all fixings to ensure none have come loose. Re-tighten when necessary.
- Furniture can be dangerous if incorrectly assembled. Assembly should be carried out by a competent person(s). No liability will be accepted from damage or injury caused by incorrectly installed or assembled furniture.

14. If the furniture is dented or scratched at any time during use, this can usually be repaired by a qualified technician: Please contact your retailer.

WITH PROPER CARE, THIS FURNITURE WILL GIVE YOU MANY YEARS OF USE

Page : 21