

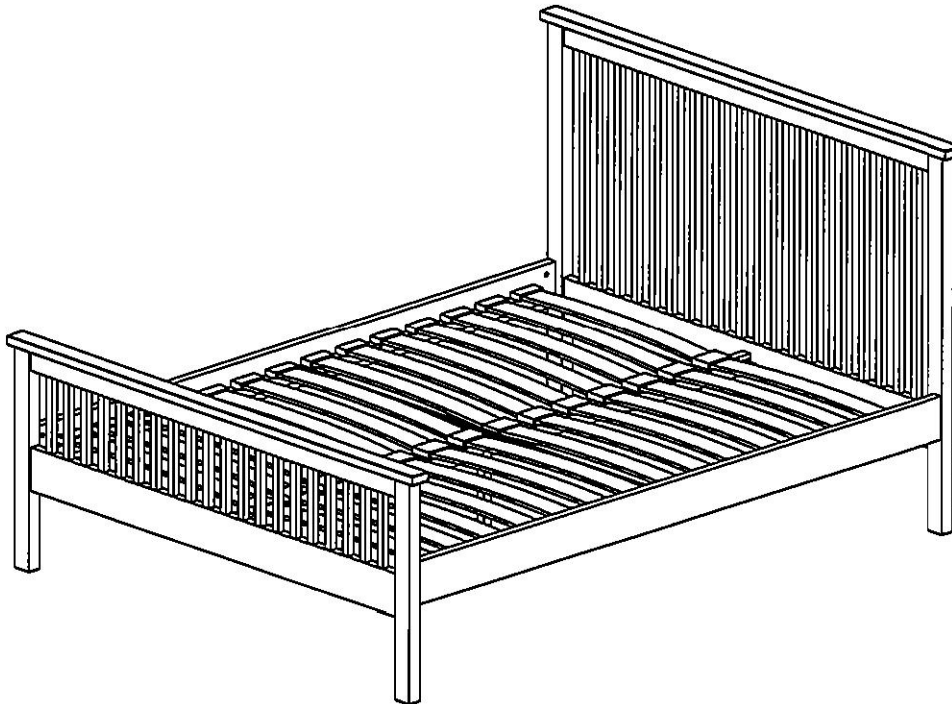
# 122CM, 135CM AND 150CM HIGH BEDSTEAD

Stock number: 480X-51/53/54

Thank you for purchasing this product. Please read the instructions carefully before use to ensure safe and satisfactory operation of this product.



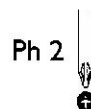
**REMARK : FOR THIS BED HAVE STRAPPING BAND (A) MUST ASSEMBLE STRAPPING BAND (A) BEFORE SPRUNG SLATS (6)**



## Pre-assembly preparation

Please ensure instructions are read in full before attempting to assemble this product.

**Necessary Tools** : Phillips screwdriver



Please check the pack contents before attempting to assemble this product. A full checklist of components is given in this leaflet. If any components are missing, please contact the retailer from whom you bought this product.

This product takes approximately **60 MINUTES** to assemble with **2 PEOPLE**.

All assembly should be performed on a flat, stable, clean and soft surface.

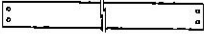

This product is **HEAVY**, it should be assembled as near as possible to the point of use. **TAKE CARE WHEN LIFTING** to avoid personal injury and (or) damage to the product

The fitting pack contains **SMALL ITEMS** which should be **KEPT AWAY FROM YOUNG CHILDREN**.

**IMPORTANT:** Retain these instructions for future reference.

Page : 1

## Fittings and parts checklist

|   |  |     |  |   |   |     |
|---|--|-----|--|---|---|-----|
| A | Strapping band  | x 1 |  | B | Round head screw<br>Ø4 x 25  | x 4 |
|---|--|-----|--|---|---|-----|

# Step By Step Assembly Instructions

- Step 1** Attach strapping band (A) onto the pre-drilled holes on side rail (3) using 4x round head screws (B) as shown. Use a screwdriver to turn fittings (B) clockwise to fix.

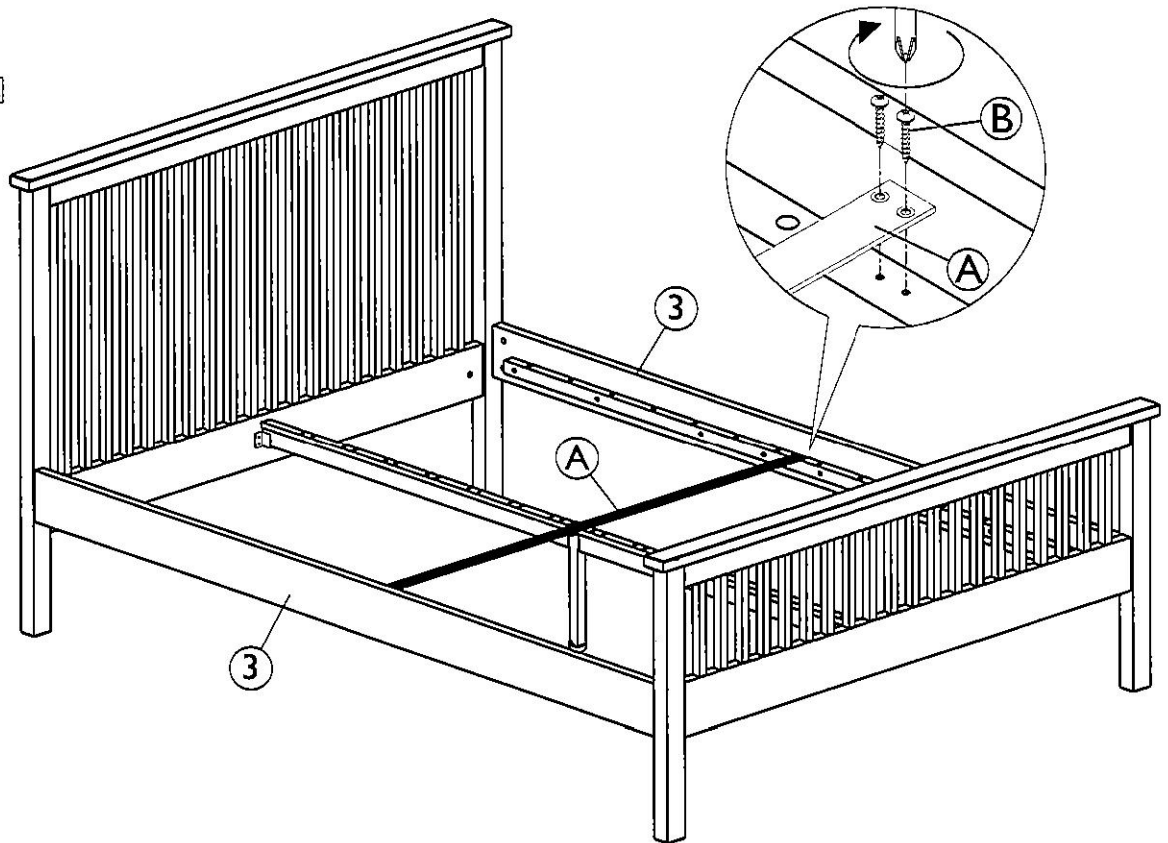
Fitting



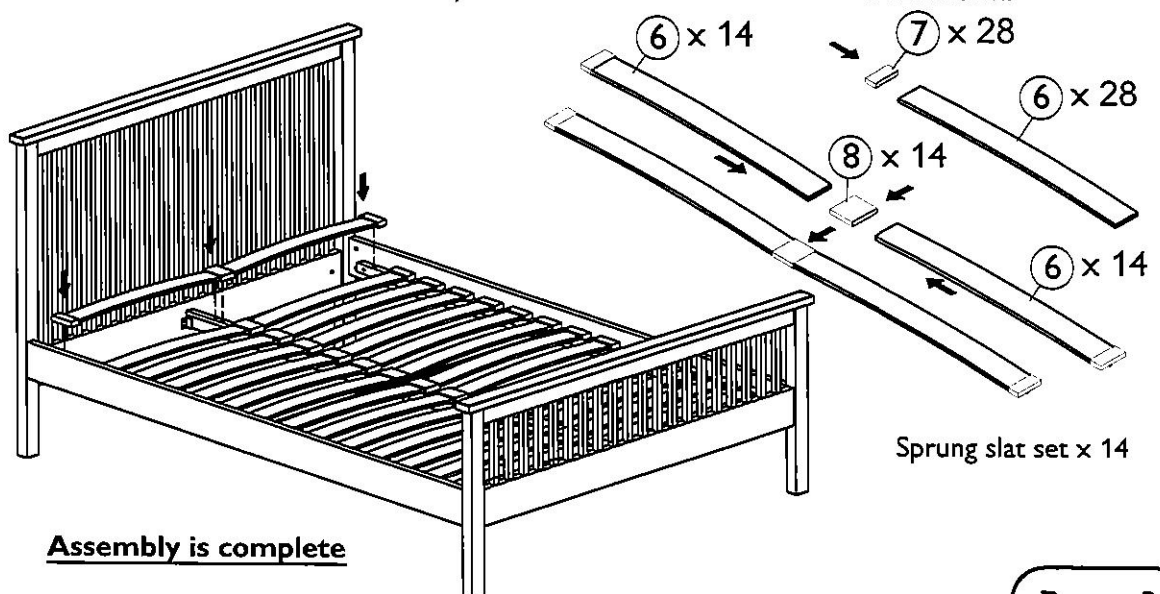
A x 1



B x 4



- Step 2**
- 2.1: Insert 28x end plastic sleeves (7) onto one end of 28x sprung slats (6) and thereafter insert the other ends of all parts (6) into both sides of 14x center plastic sleeves (8) as shown.
- 2.2: Attach the previously assembled 14x sprung slat sets into the pre-drilled holes on wood supports of both side rails and pre-drilled holes on metal center rail as shown.



MB  
21.04.16

EUR # 1871  
TMB  
21.04.16

CA  
22.04.16