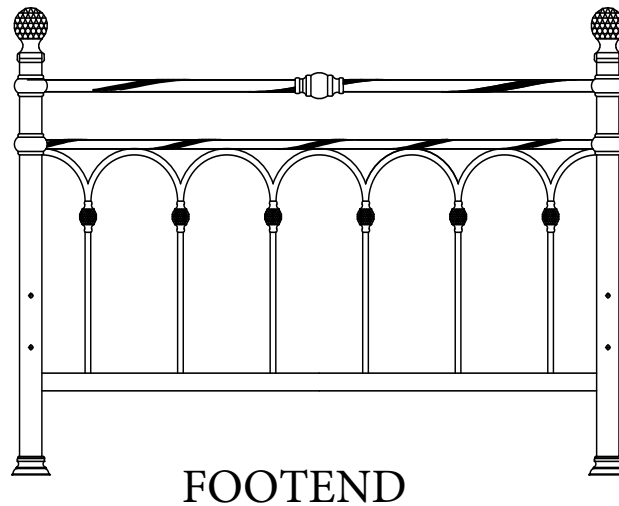
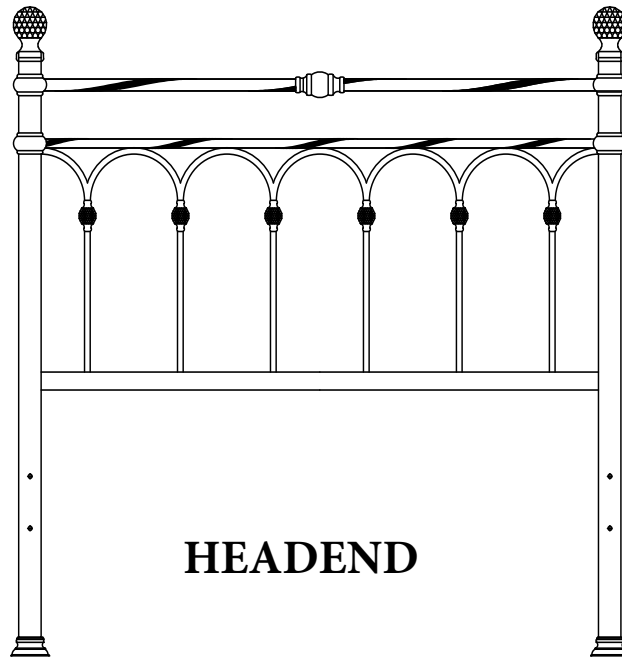


135CM HEADEND AND FOOTEND

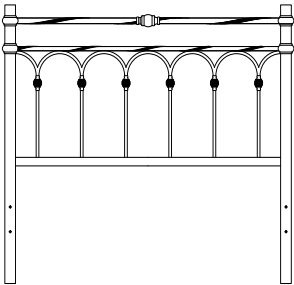
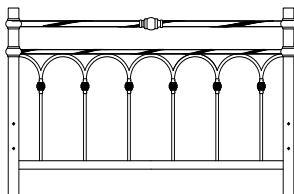
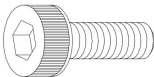



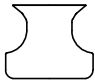
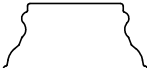
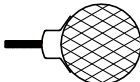
Stock number: 2450B, 2460B, M1970B-135, M1980B-135

Thank you for purchasing this product. Please read the instruction carefully before use to ensure safe and satisfactory operation of this product.



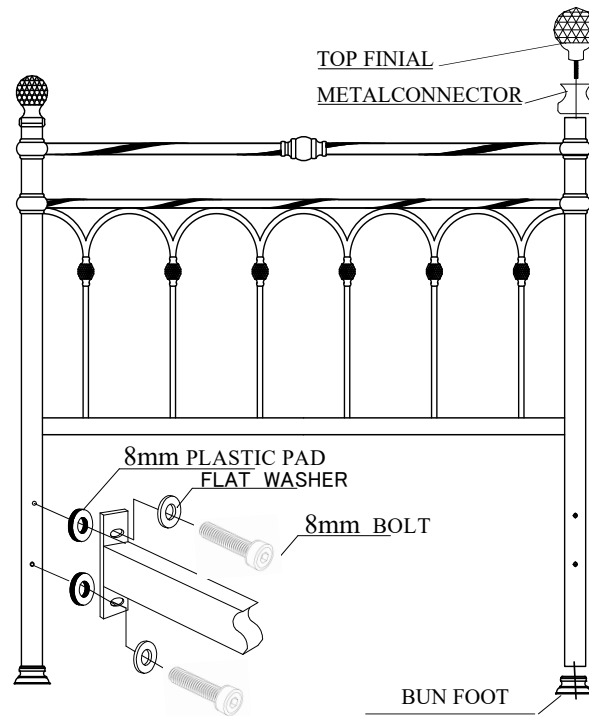
135CM HEADEND AND FOOTEND

Fittings and parts checklist

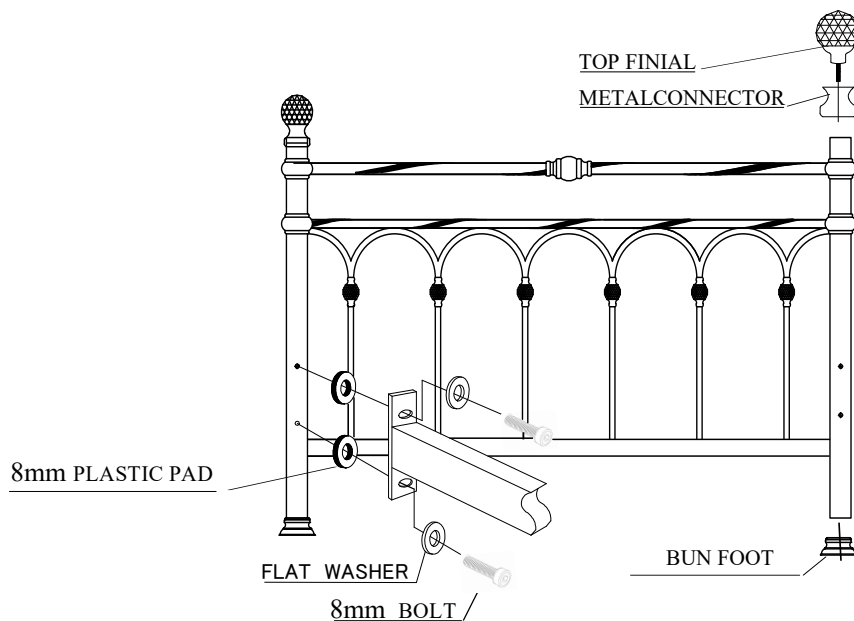
| Item | Description | Sketch | Qty |
|------|-----------------|---|------|
| 1 | HEADEND |  | 1pc |
| 2 | FOOTEND |  | 1pc |
| 3 | 8mm Allen Bolts |  | 8pcs |
| 4 | FLAT WASHER |  | 8pcs |
| 5 | 8mm PLASTIC PAD |  | 8pcs |
| 6 | Allen Wrench |  | 1pc |
| 7 | METAL CONNECTOR |  | 4pcs |
| 8 | BUN FOOT |  | 4pcs |
| 8 | TOP FINIAL |  | 4pcs |

135CM HEADEND AND FOOTEND

Step 1



Step 2



CARE OF YOUR BEDSTEAD

- Use a soft dry duster to clean your plated bedstead
- For stubborn stains, use a soft damp cloth and then revert to the soft dry duster
- PLEASE NOTE : Polishing materials and solvents should not be used, as they dissolve the protecting lacquer and allow oxidation of the genuine base material.
- Using fittings in the incorrect place when assembling the bedstead can cause fittings to become cross threaded. This can then lead to fittings becoming trapped; making disassembly of the product difficult and voiding the warranty. Please take care to ensure all fittings are used only where stipulated.

We cannot accept responsibility for damage caused due to misuse of this product.