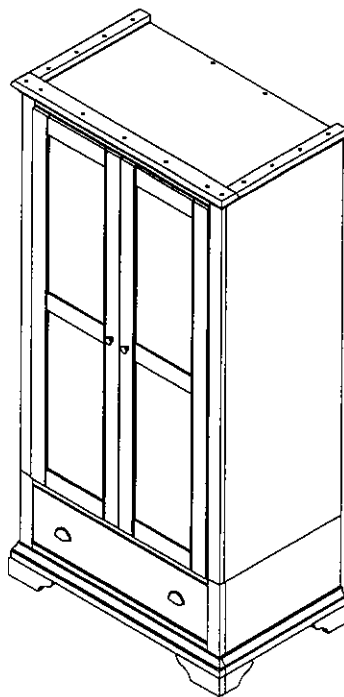


HAMPSTEAD DOUBLE WARDROBE

Stock Number: 8005-82

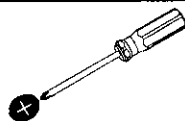
Thank you for purchasing this product. Please read the instructions carefully before use to ensure safe and satisfactory operation of this product.



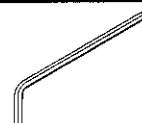
Pre-assembly preparation

Please ensure instructions are read in full before attempting to assemble this product.

Necessary Tools



(Included)



A cross head screwdriver only should be used to assemble this product, an electric drill may cause damage to the product and is not recommended.

Please check the pack contents before attempting to assemble this product. A full checklist of components is given in this leaflet. If any components are missing, please contact the retailer from whom you bought this product.

This product takes approximately **60 MINUTES** to assemble with **2 PEOPLE**.

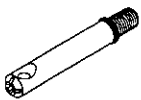



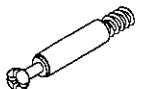


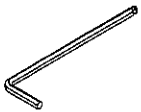
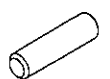






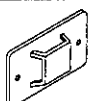
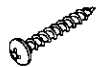



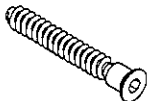

All assembly should be performed on a flat, stable, clean and soft surface.

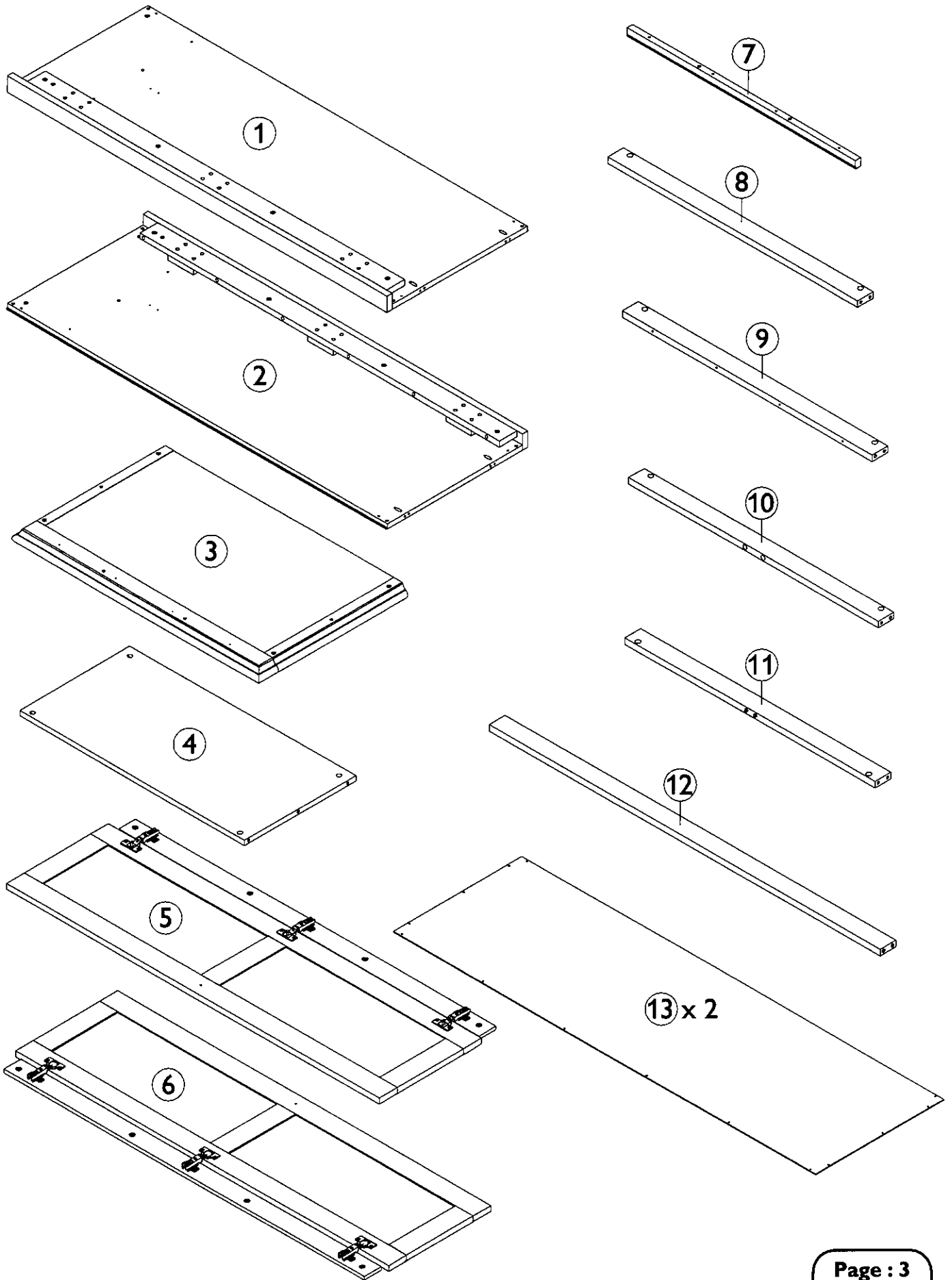
This product is **HEAVY**, it should be assembled as near as possible to the point of use. **TAKE CARE WHEN LIFTING** to avoid personal injury and (or) damage to the product

The fitting pack contains **SMALL ITEMS** which should be **KEPT AWAY FROM YOUNG CHILDREN**.

IMPORTANT: Retain these instructions for future reference.

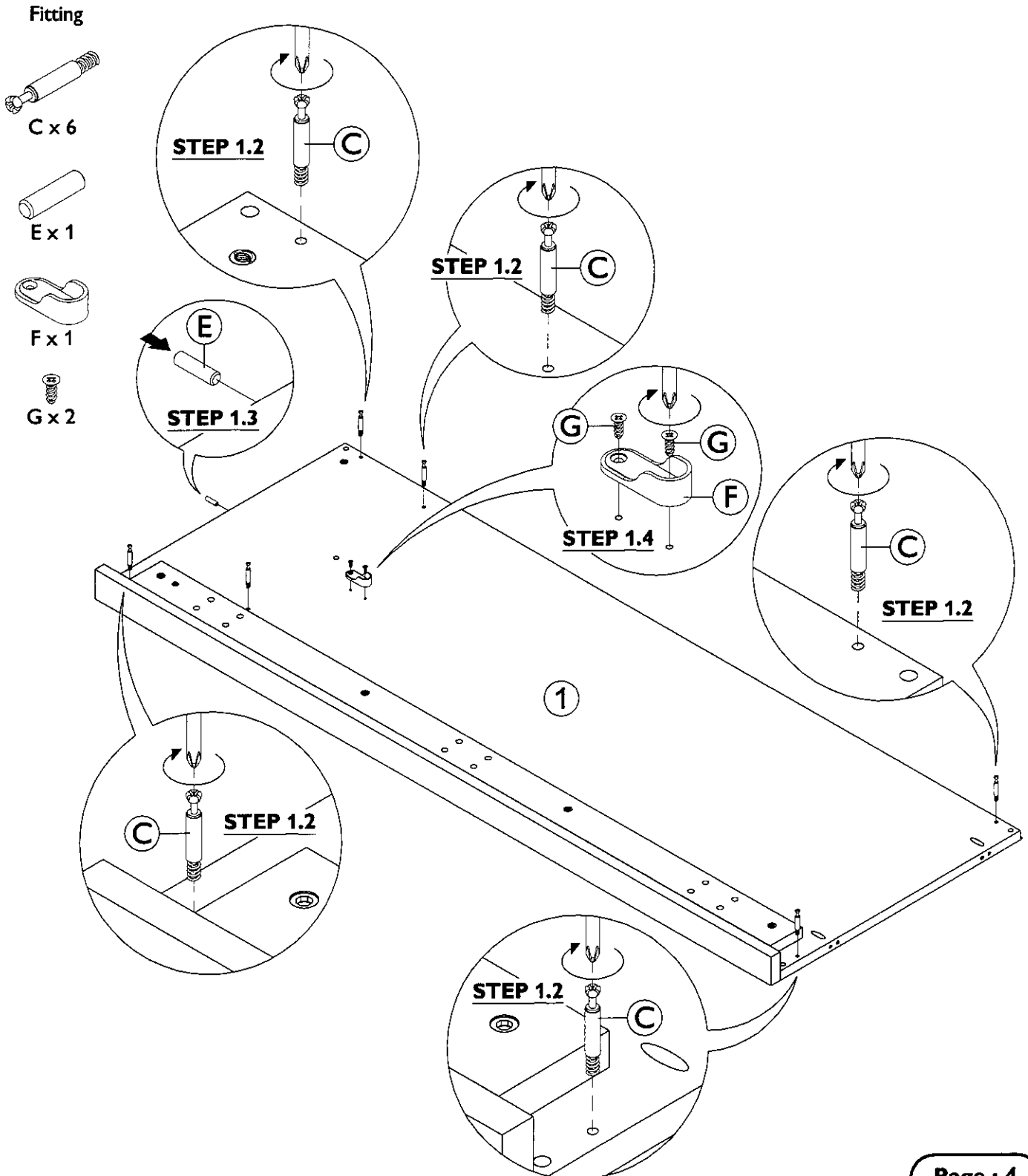
Fittings and parts checklist Double Wardrobe Top

Item	Description	Qty.		Item	Description	Qty.
1	Left side panel	x 1		8	Top front rail	x 1
2	Right side panel	x 1		9	Top back rail	x 1
3	Top panel	x 1		10	Bottom front rail	x 1
4	Fixed shelf	x 1		11	Bottom back rail	x 1
5	Left door	x 1		12	Vertical rail	x 1
6	Right door	x 1		13	Back panel	x 2
7	Top rail	x 1		14		
A	SV fitting system dowel		x 4	M	Round head screw Ø4x15mm	 x 32
B	SV fitting system grub screw		x 4	N	Cloth bar	 x 1
C	Cam screw		x 12	P	Hinge cover cap	 x 6
D	Cam lock		x 12	Q	Hex key	 x 1
E	Dowel Ø8x30mm		x 14	R	Knob	 x 2
F	Cloth bar support		x 2	T	Round head bolt M4x28mm	 x 2
G	Varianta head screw Ø4.2x10.5mm		x 4	U	Flat washer Ø5x12x1mm	 x 4
H	Hex head bolt M6x25mm		x 8	S	Mounting plate	 x 2
J	Round head screw Ø4x30mm		x 4	V	Nylon strap	 x 1
K	Round head screw Ø4x25mm		x 4	W	Flat head screw Ø4x15mm	 x 2
L	Hex head bolt Ø7x38mm		x 2	Y	Flat head screw Ø4x25mm	 x 2



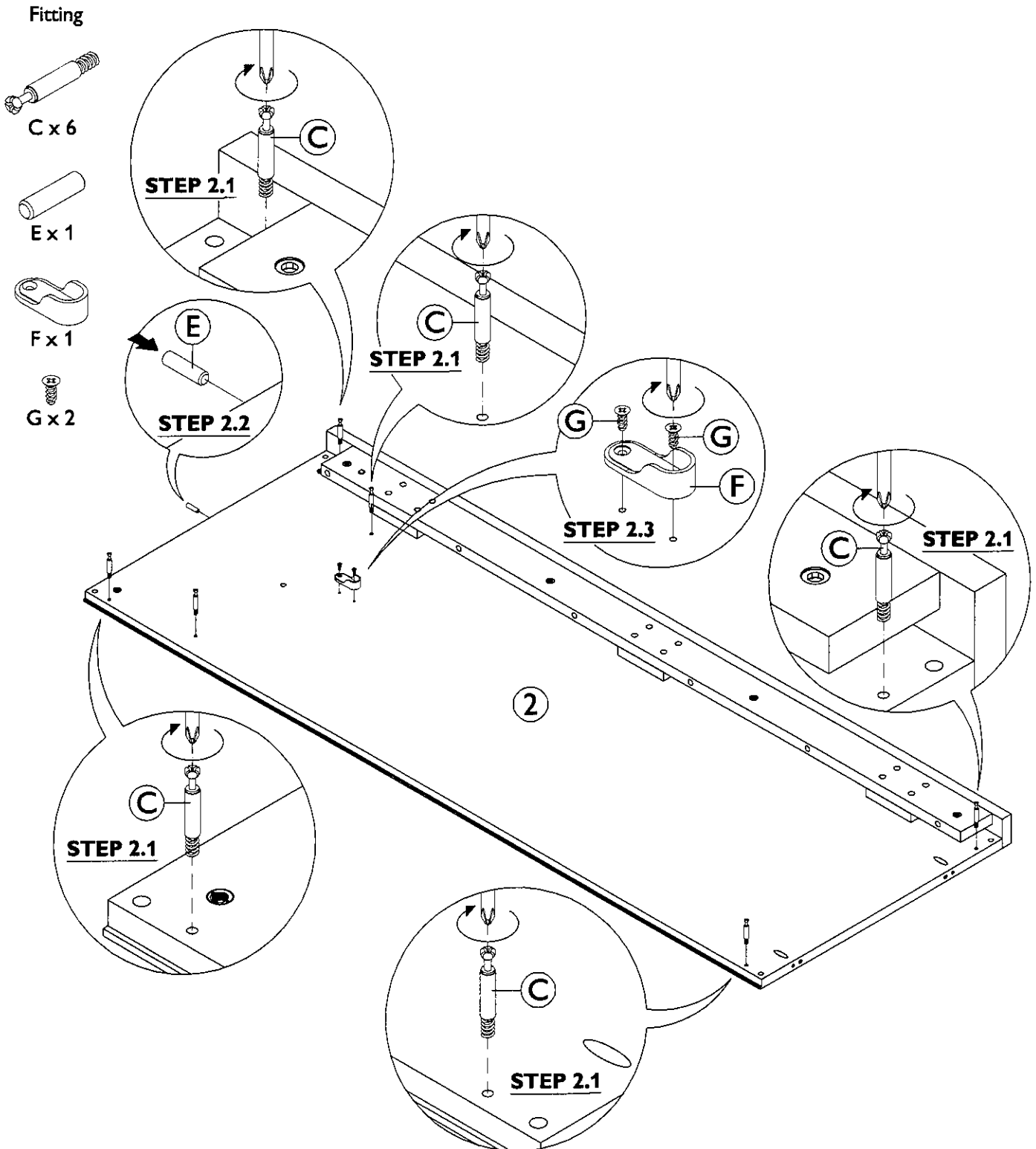
Step By Step Assembly Instructions

- Step 1**
- 1.1 : Lay all parts on a flat, stable, clean and soft surface.
 - 1.2 : Attach 6x cam screws (C) into the pre-drilled holes on left side panel (1) as shown. Use a screwdriver to turn fitting (C) clockwise to fix.
 - 1.3 : Attach 1x dowels (E) into the pre-drilled hole on the left side panel (1) as shown.
 - 1.4 : Attach 1x cloth bar support (F) onto left side panel (1) using 2x varianta head screws (G) as shown. Use a screwdriver to turn fitting (G) clockwise to fix.



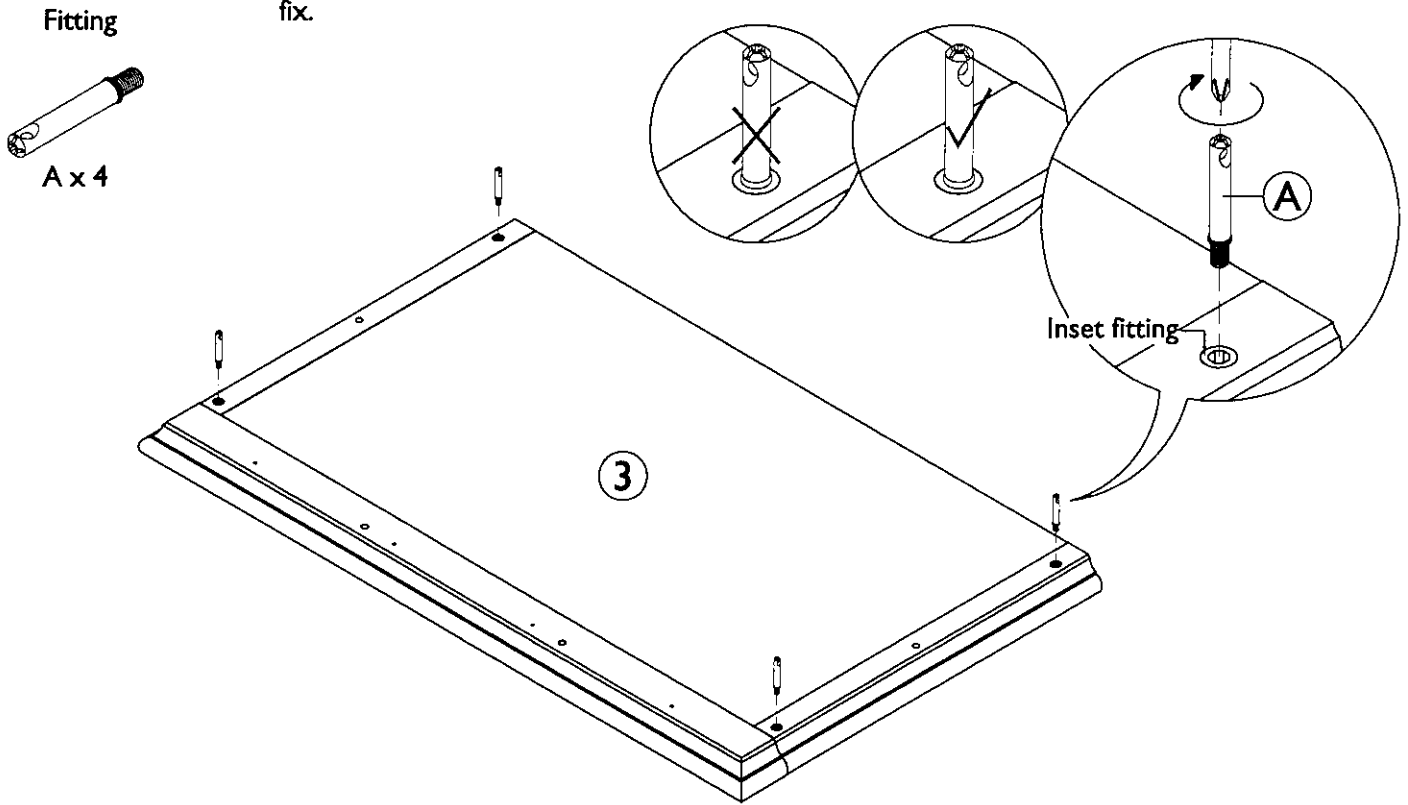
Step By Step Assembly Instructions

- Step 2**
- 2.1 : Attach 6x cam screws (C) into the pre-drilled holes on right side panel (2) as shown. Use a screwdriver to turn fitting (C) clockwise to fix.
 - 2.2 : Attach 1x dowels (E) into the pre-drilled hole on right side panel (2) as shown.
 - 2.3 : Attach 1x cloth bar support (F) onto right side panel (2) using 2x variant head screws (G) as shown. Use a screwdriver to turn fitting (G) clockwise to fix.

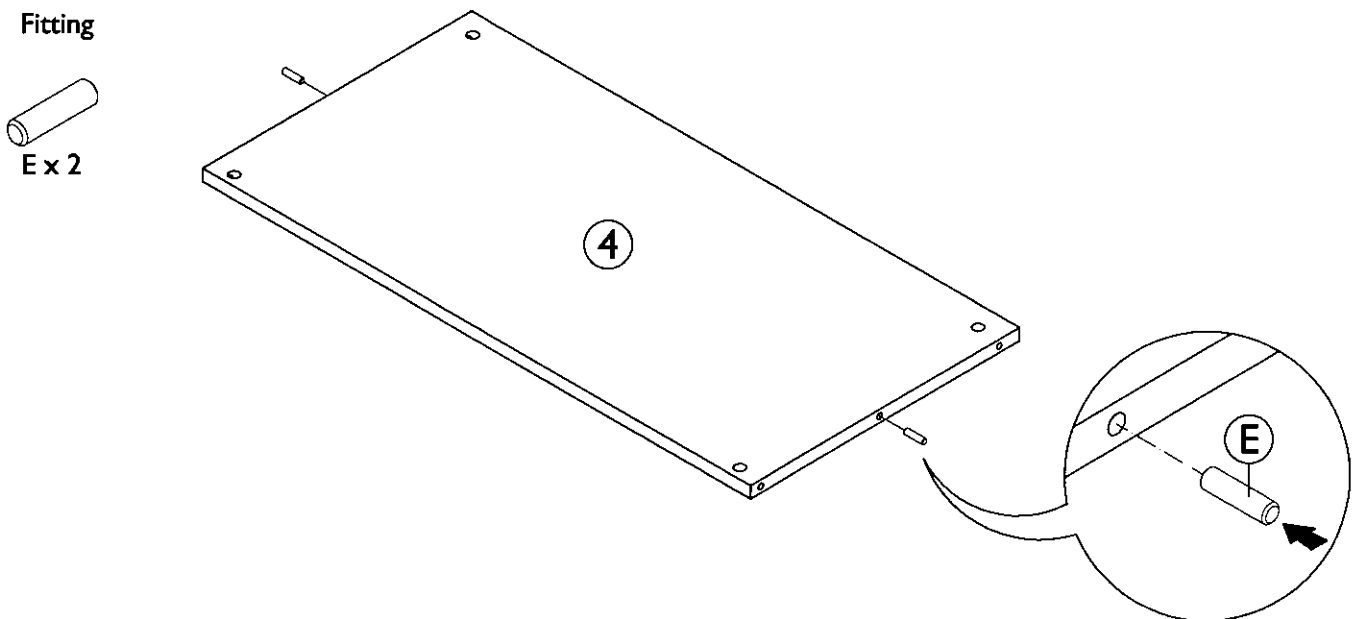


Step By Step Assembly Instructions

Step 3 : Attach 4x SV fitting system dowels (A) into top panel (3) by screwing fitting (A) into the inset fittings that are located inside top panel (3) as shown. Ensure the direction of the holes on fittings (A) are facing correctly as per diagram. Use a screwdriver to turn fitting (A) clockwise to fix.



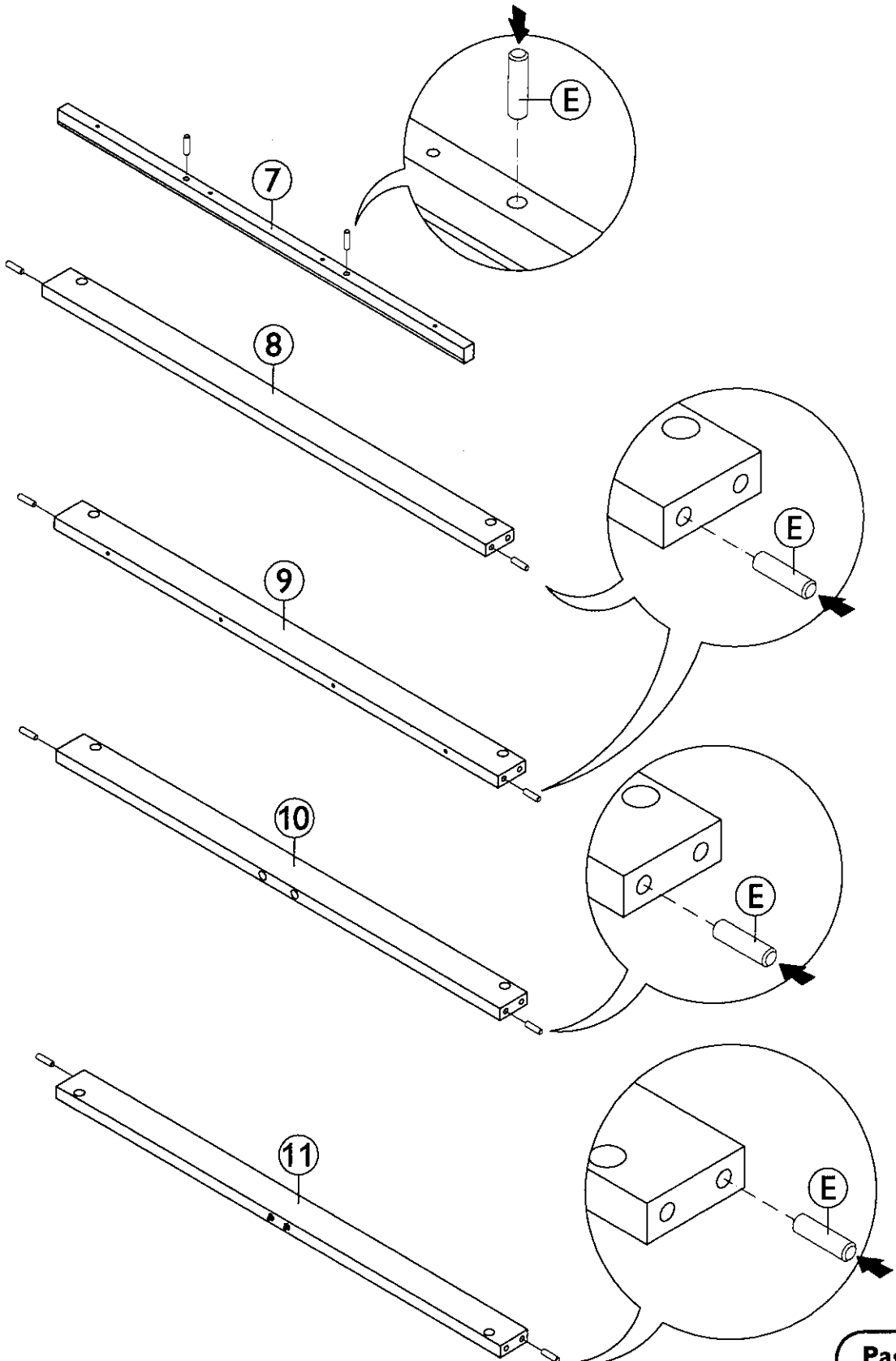
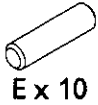
Step 4 : Attach 2x dowels (E) into the pre-drilled holes on fixed shelf (4) as shown.



Step By Step Assembly Instructions

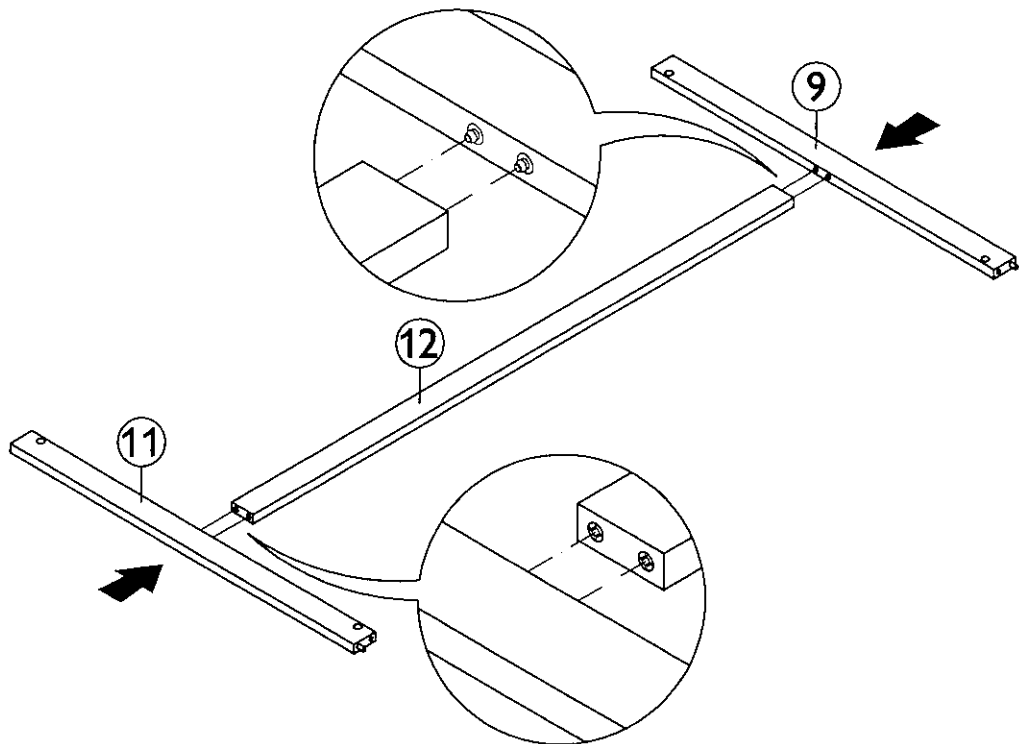
- Step 5**
- 5.1 : Attach 2x dowels (E) into the pre-drilled holes on top rail (7) as shown.
 - 5.2 : Attach 2x dowels (E) into the pre-drilled holes on top front rail (8) as shown.
 - 5.3 : Attach 2x dowels (E) into the pre-drilled holes on top back rail (9) as shown.
 - 5.4 : Attach 2x dowels (E) into the pre-drilled holes on bottom front rail (10) as shown.
 - 5.5 : Attach 2x dowels (E) into the pre-drilled holes on bottom back rail (11) as shown.

Fitting

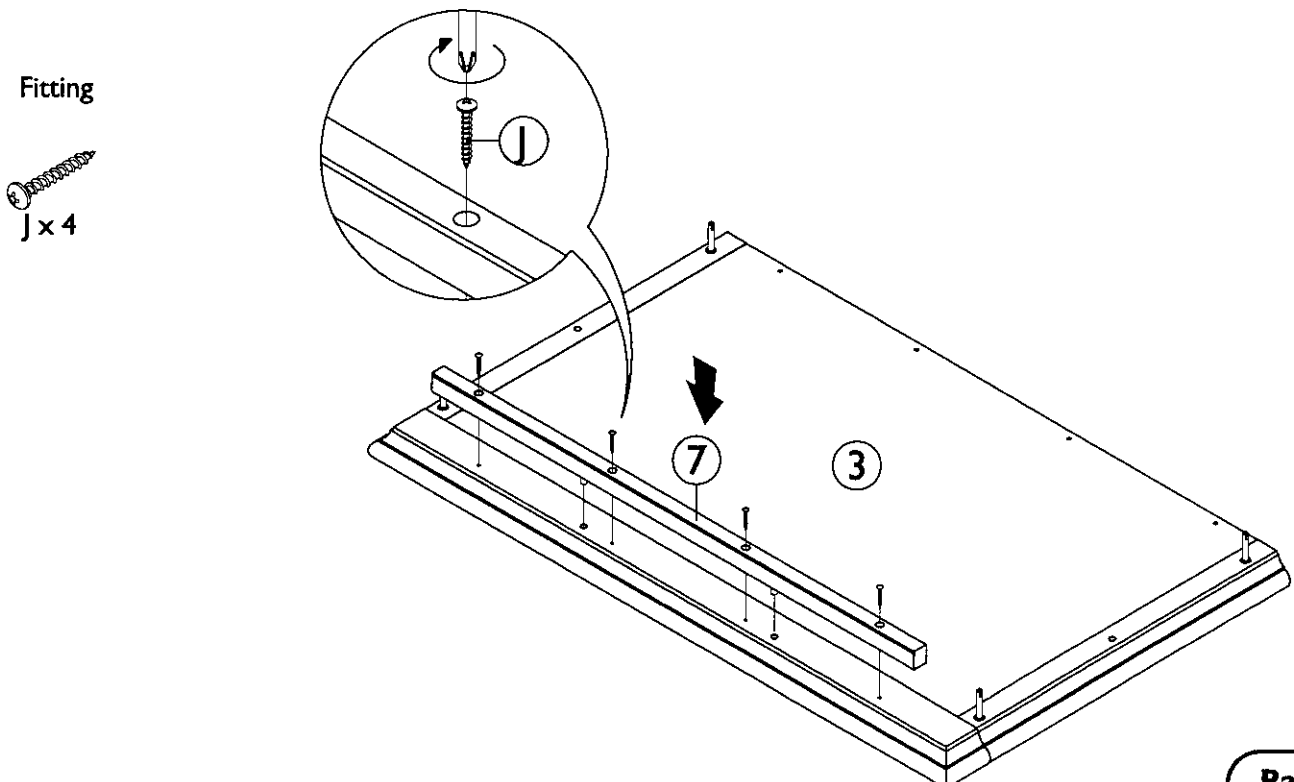


Step By Step Assembly Instructions

Step 6 : Attach top back rail (9) and bottom back rail (11) onto vertical rail (12) as shown. Ensure plastic dowels are aligned correctly with the holes of mating parts before attaching.



Step 7 7.1 : Attach top rail (7) onto top panel (3) as shown. Ensure dowels (E) are aligned correctly with the holes of mating parts before attaching.
7.2 : Secure top rail (7) to top panel (3) using 4x round head screws (J) as shown. Use a screwdriver to turn fitting (J) clockwise to fix.



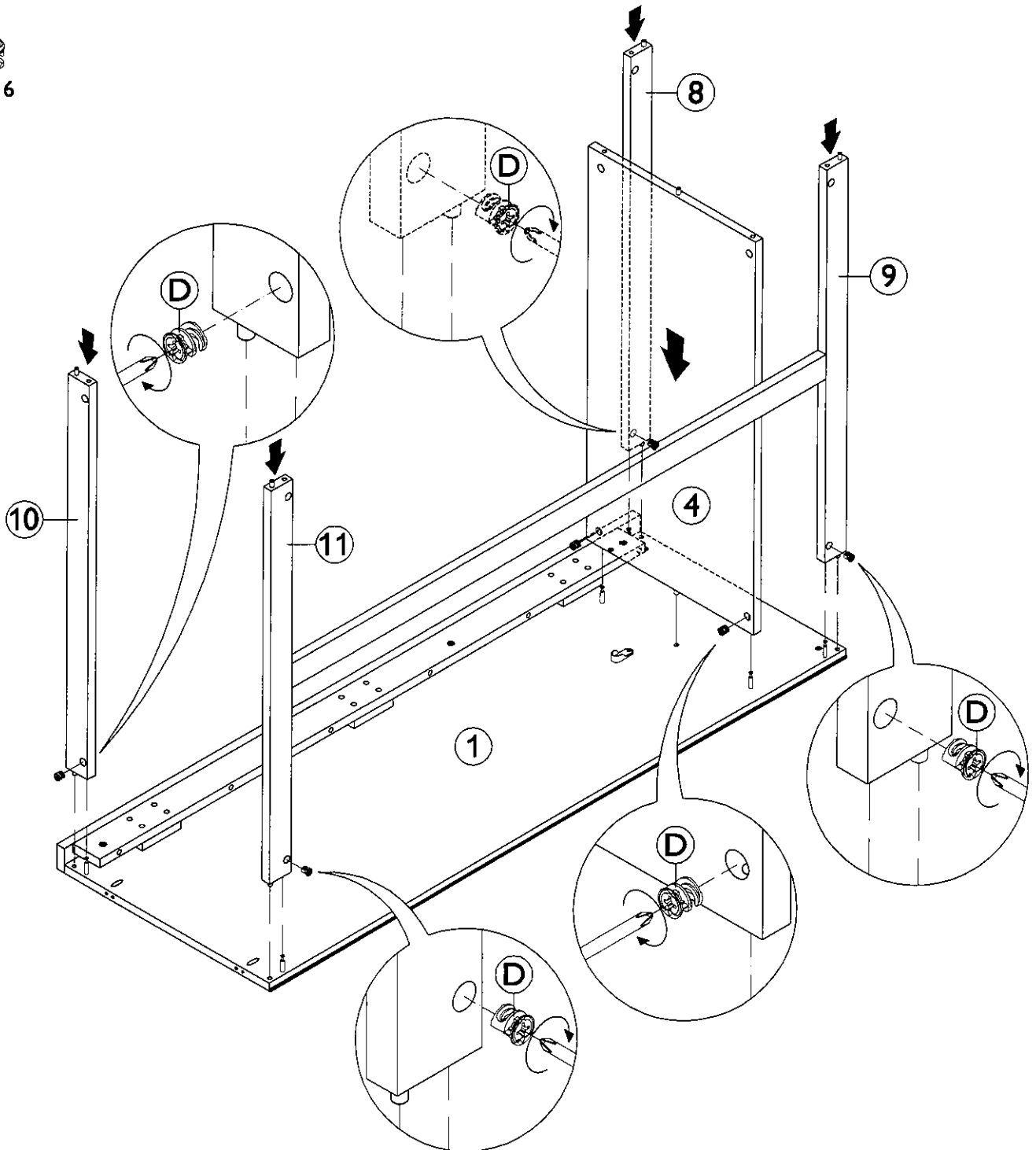
Step By Step Assembly Instructions

- Step 8** 8.1 : Attach the structure assembled in **Step 7** , fixed shelf (4), top front rail (8) and bottom front rail (10) onto left side panel (1) as shown. Ensure cam screws (C) and dowels (E) are aligned correctly with the holes of mating parts before attaching.
- 8.2 : Secure fixed shelf (4), top front rail (8), top back rail (9), bottom front rail (10) and bottom back rail (11) to left side panel (1) using 6x cam locks (D) as shown. Use a screwdriver to turn fitting (D) clockwise to fix.

Fitting



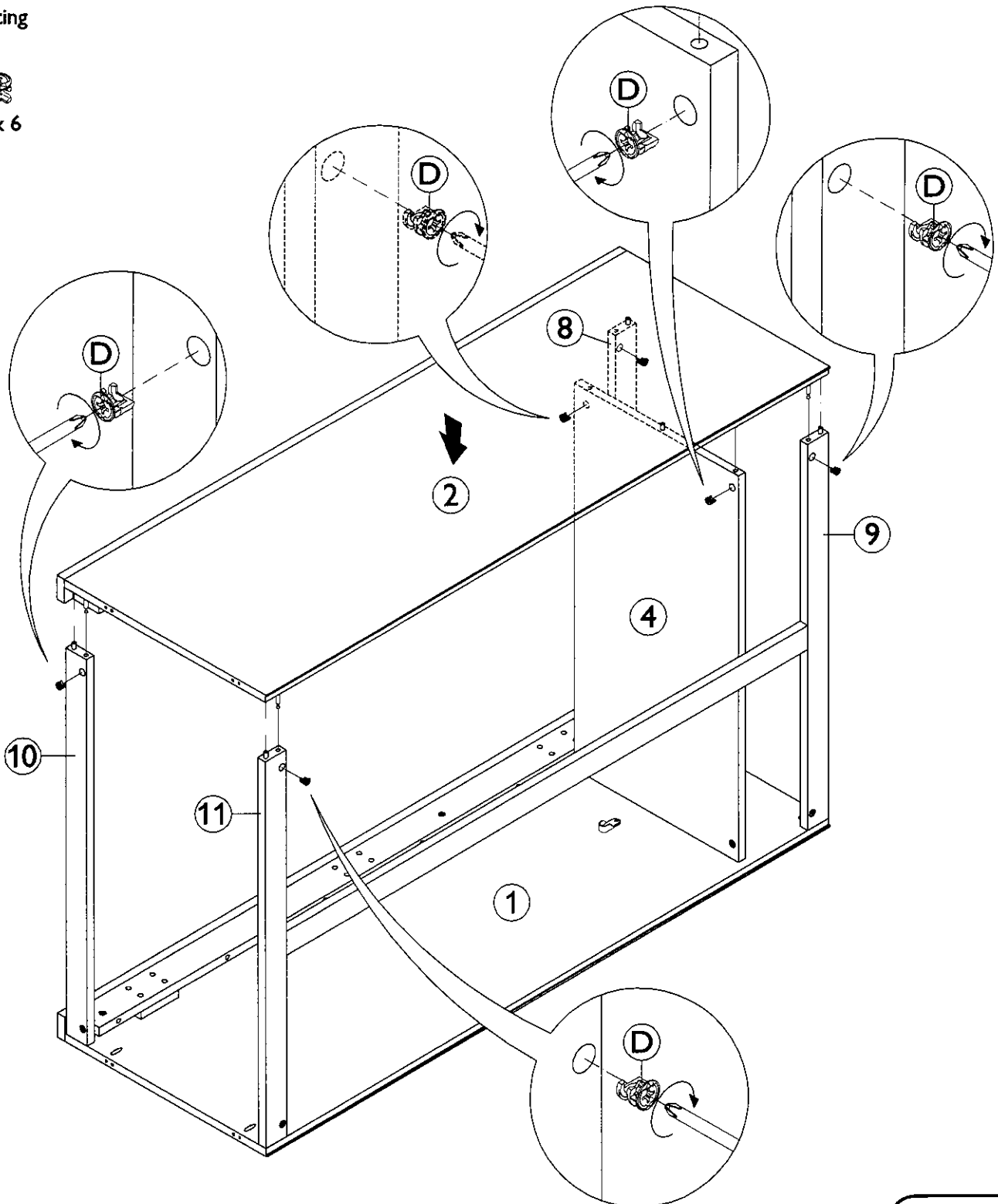
D x 6



Step By Step Assembly Instructions

- Step 9** 9.1 : Attach right side panel (2) onto fixed shelf (4), top front rail (8), top back rail (9), bottom front rail (10) and bottom back rail (11) as shown. Ensure cam screws (C) and dowels (E) are aligned correctly with the holes of mating parts before attaching.
- 9.2 : Secure right side panel (2) to fixed shelf (4), top front rail (8), top back rail (9), bottom front rail (10) and bottom back rail (11) using 6x cam locks (D) as shown. Use a screwdriver to turn fitting (D) clockwise to fix.

Fitting



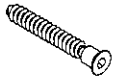
Step By Step Assembly Instructions

- Step 10**
- 10.1 : Attach top panel (3) onto left & right side panel (1) & (2). Ensure SV fitting system dowels (A) and dowels (E) are aligned correctly with the holes of mating parts before attaching.
 - 10.2 : Secure top panel (3) to left & right side panels (1) & (2) using 4x SV fitting system grub screws (B) as shown. Use a screwdriver to turn fitting (B) clockwise to fix.
 - 10.3 : Secure top panel (3) to top back rail (9) using 2x hex head bolts (L) as shown. Use hex key (Q) to turn fitting (L) clockwise to fix.

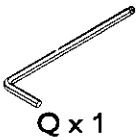
Fitting



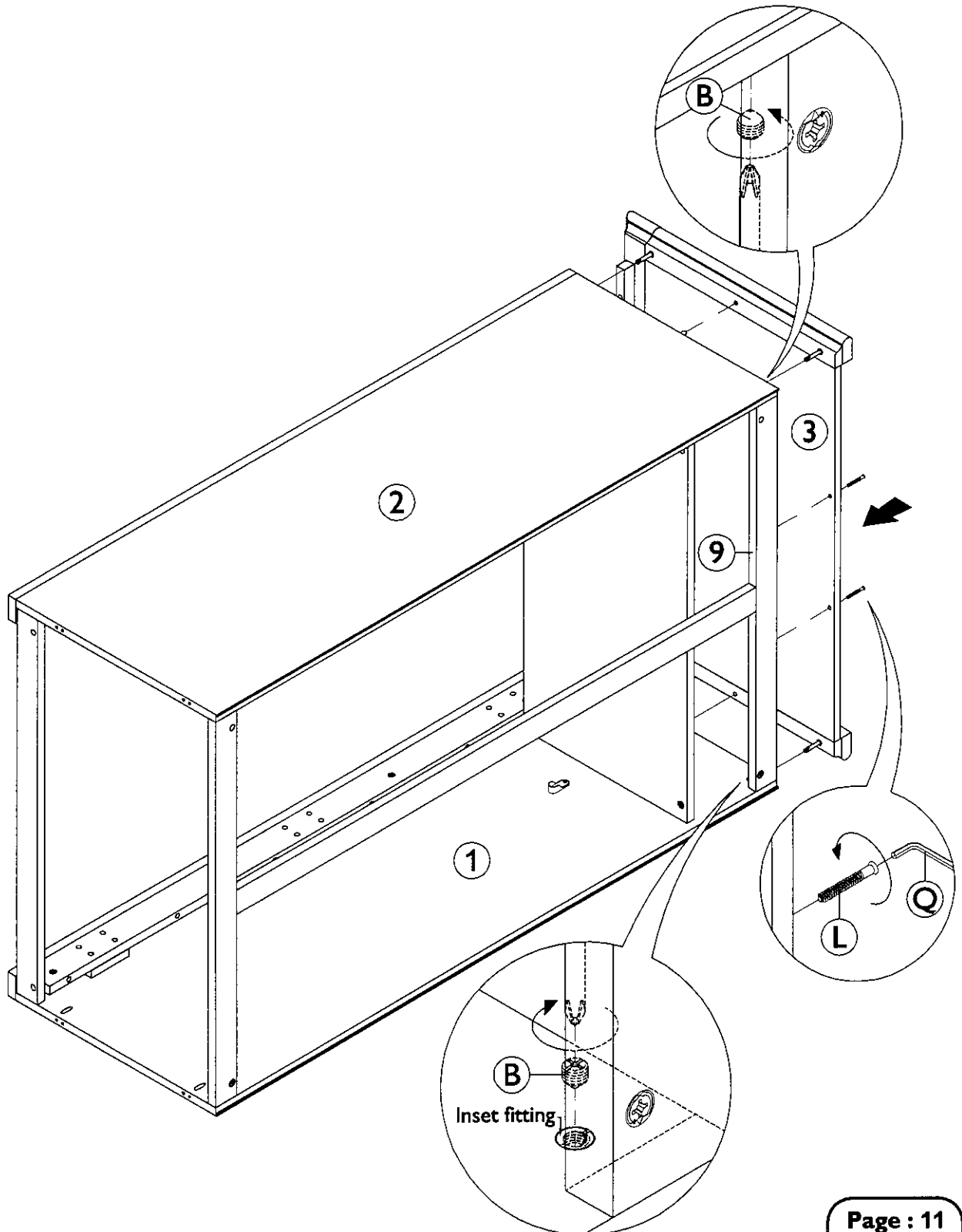
B x 4



L x 2



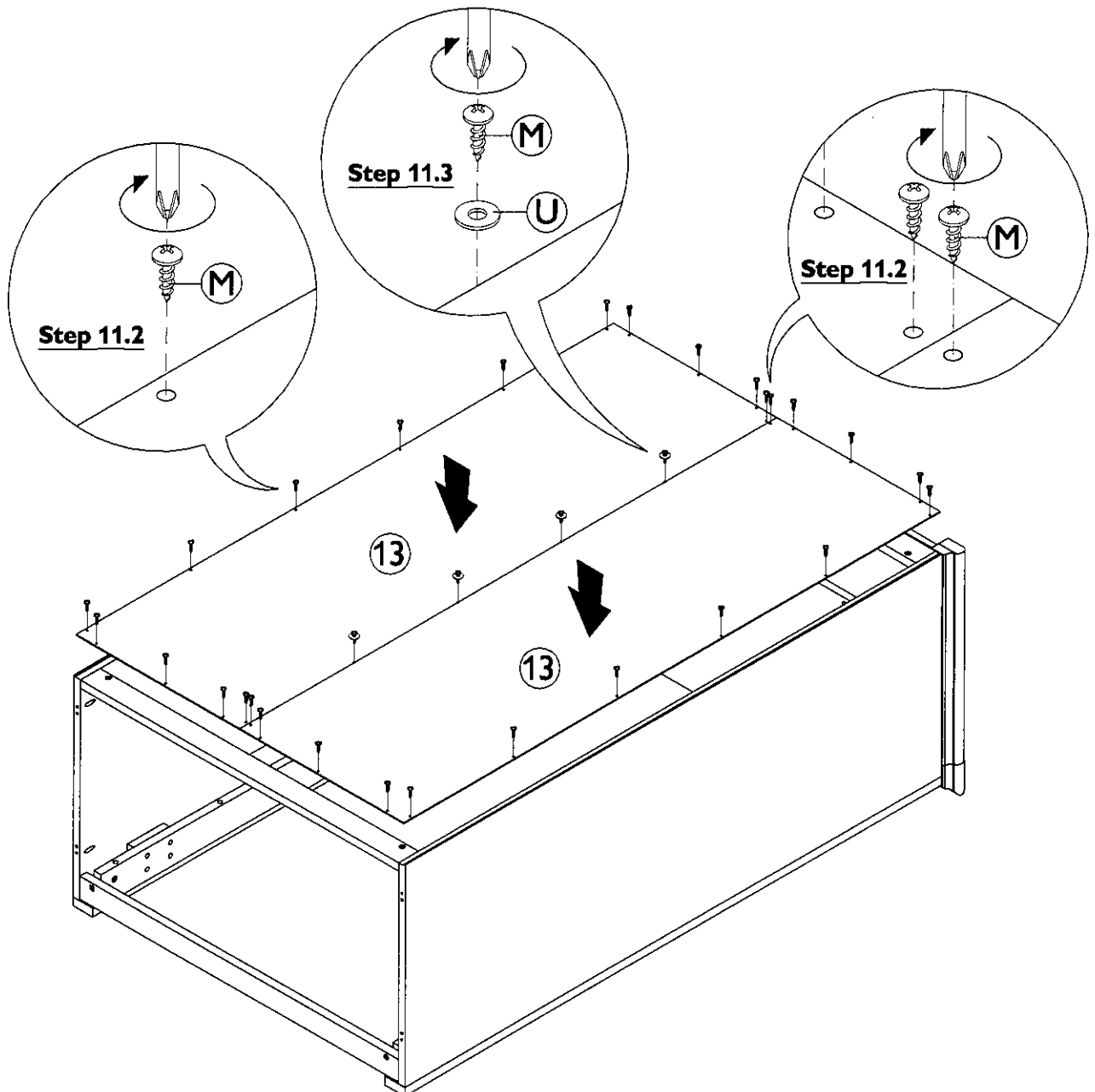
Q x 1



Step By Step Assembly Instructions

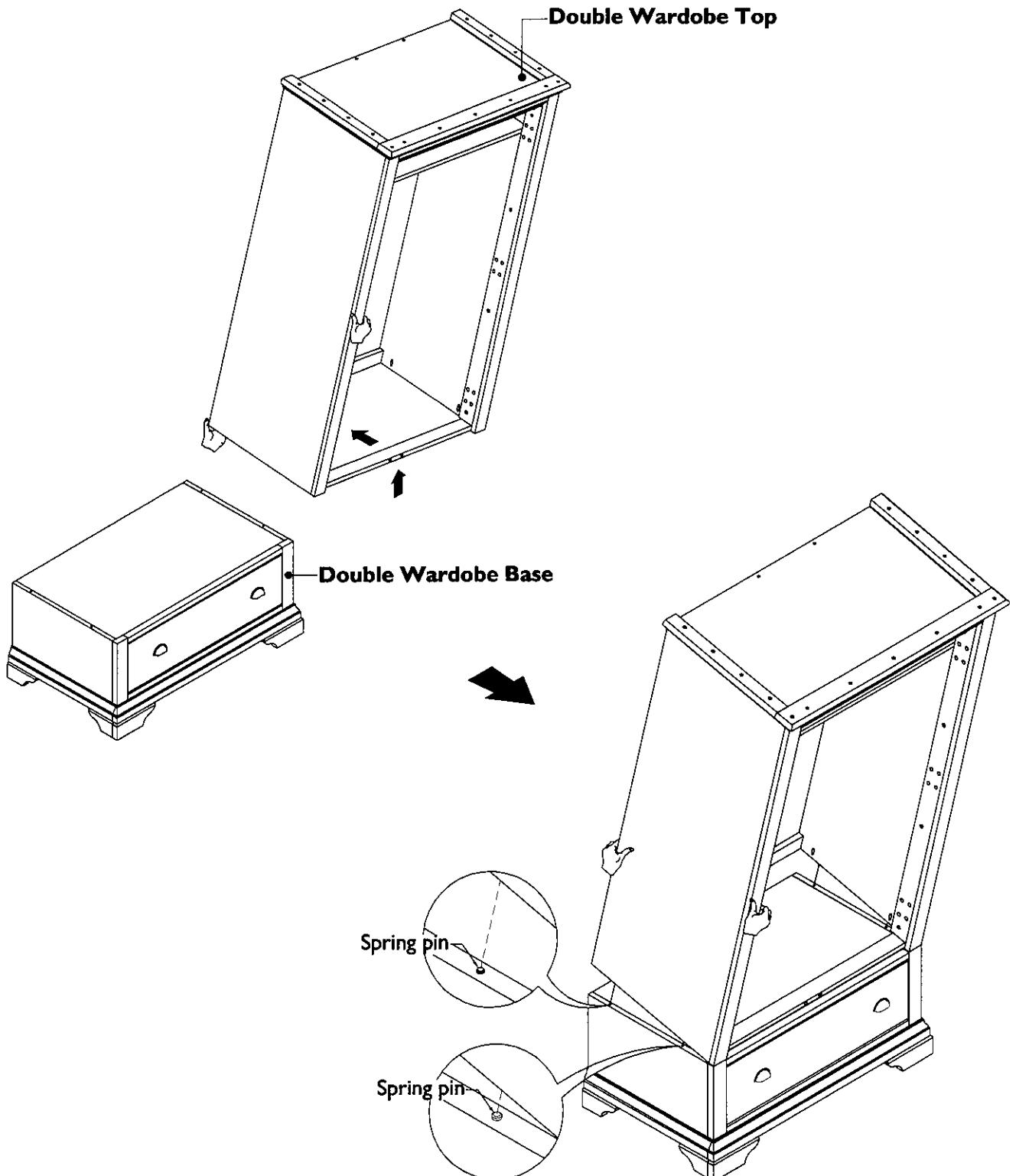
- Step 11** 11.1 : With help of an assistant, carefully turn the unit down so the back side of the unit is facing up as shown.
- 11.2 : Secure 2x back panels (13) onto back side of the unit using 28x round head screws (M) as shown. Use a screwdriver to turn fitting (M) clockwise to fix.
- 11.3 : Secure vertical gap using 4x round head screws (M) with 4x flat washers (U) as shown. Use a screwdriver to turn fitting (M) clockwise to fix.

Fitting



Step By Step Assembly Instructions

- Step 12** **Note:** This product is heavy, it should be assembled as near as possible to the point of use.
- : With help of an assistant, carefully lift the double wardrobe top upwards over the double wardrobe base.
 - : Carefully lower double wardrobe top onto double wardrobe base. Ensure the holes under double wardrobe top are aligned correctly with the mating spring pins on double wardrobe base to avoid damage as shown.



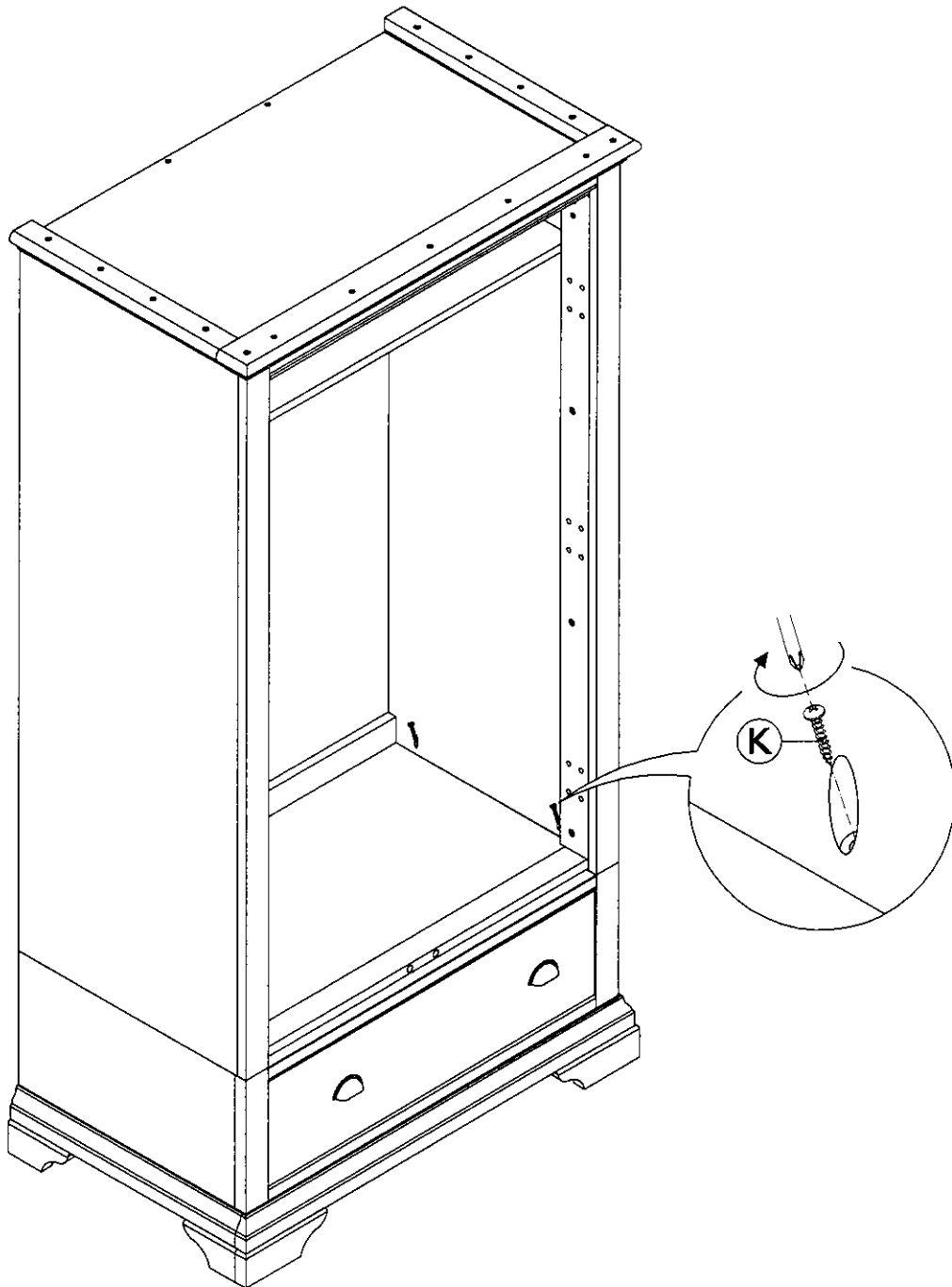
Step By Step Assembly Instructions

Step 13 : Secure double wardrobe top to double wardrobe base by screwing 4x round head screws (K) into the pre-drilled holes on left & right side panels (1) & (2) as shown. Use a screwdriver to turn fitting (K) clockwise to fix.

Fitting



K x 4



Step By Step Assembly Instructions

Step 14 : Attach left & right doors (5) & (6) to left & right side panels (1) & (2) using 8x hex head bolts (H) as shown. Ensure the holes on doors (5) & (6) are aligned correctly with the mating spring pins on left & right side panels (1) & (2) to avoid damage. Use hex key (Q) to turn fitting (H) clockwise to fix.

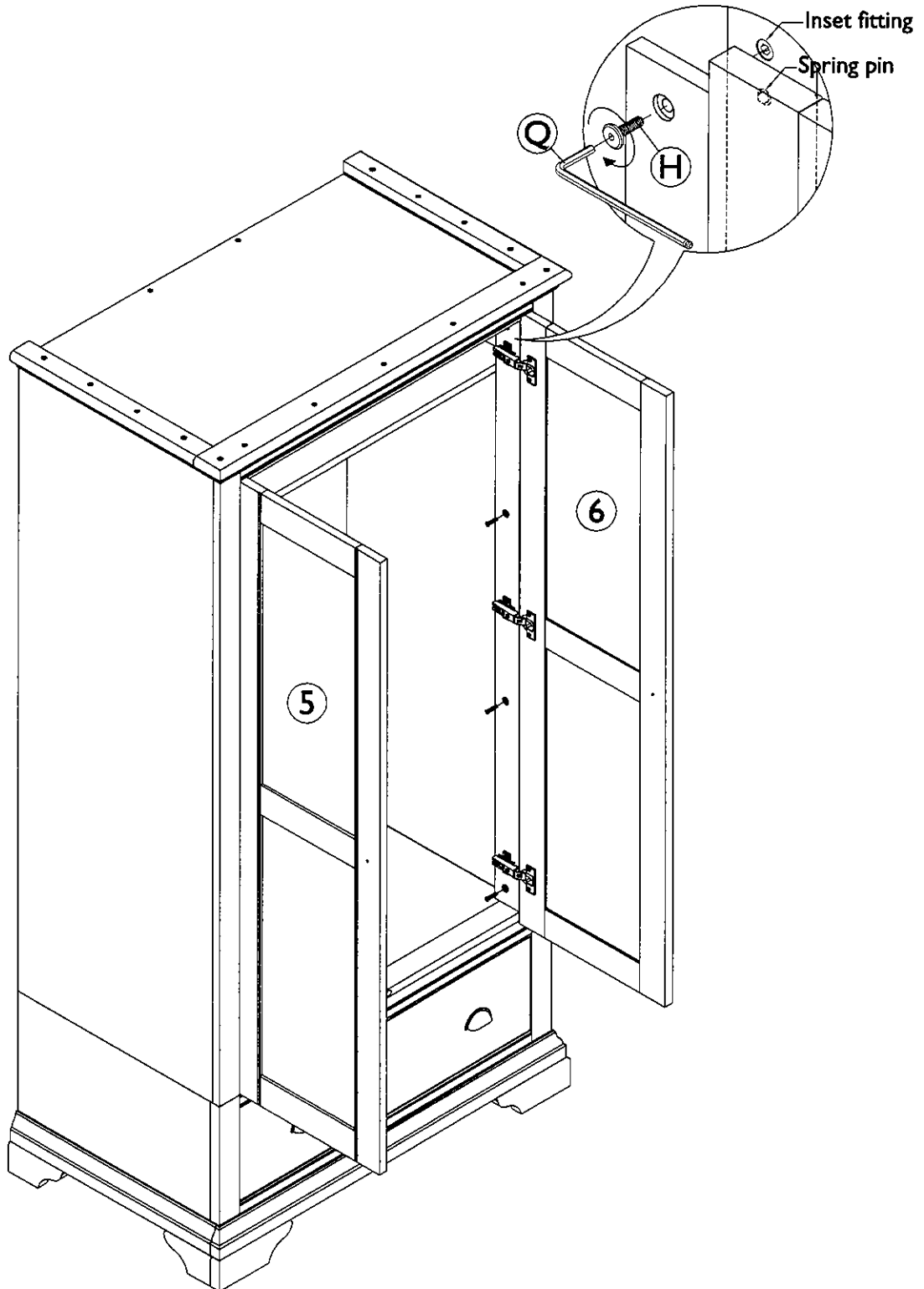
Fitting



H x 8



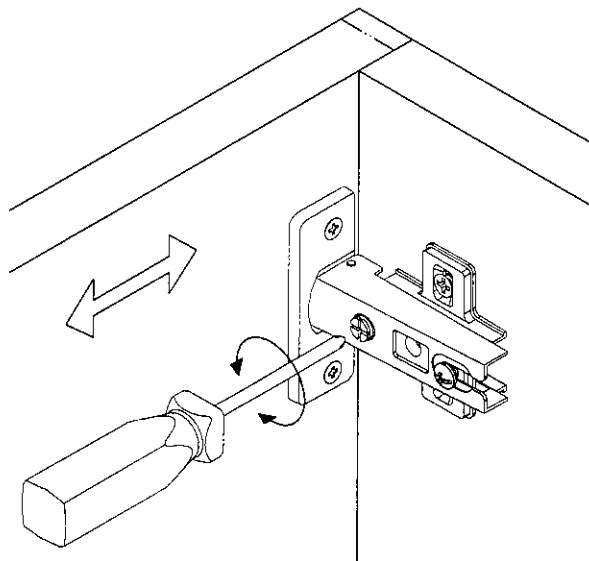
Q x 1



HINGE ADJUSTMENT INSTRUCTIONS

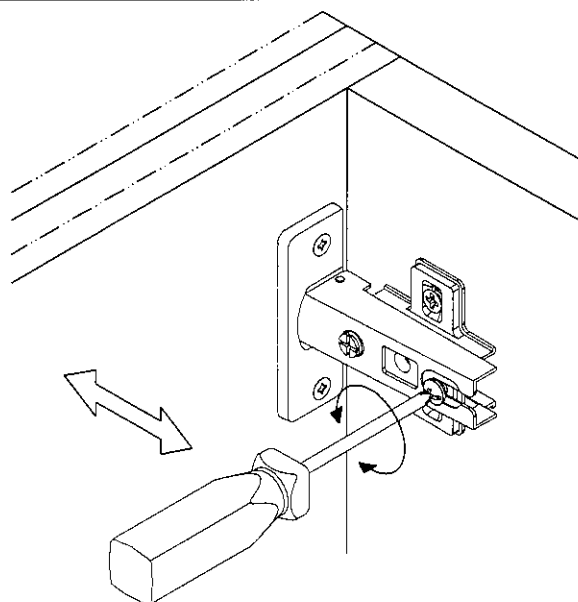
LATERAL ADJUSTMENT

by screw adjustment.



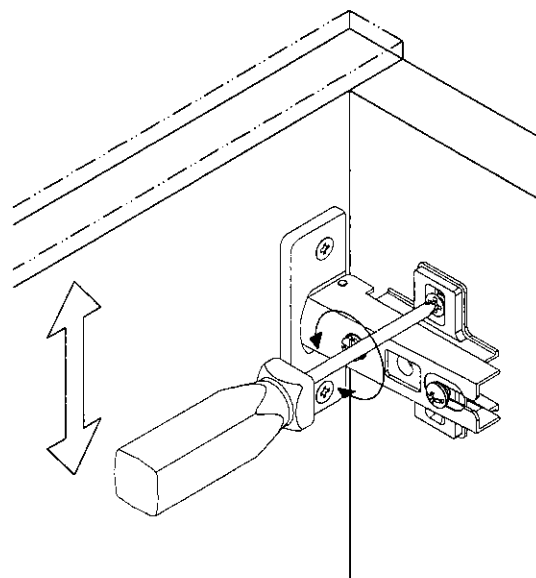
FRONT-TO-BACK

by slackening and retightening the hinge-arm mounting screw.



VERTICAL ADJUSTMENT

via slots on mounting plate by slackening and retightening the screws on mounting plate



Step By Step Assembly Instructions

- Step 15**
- 15.1 : Attach 6x hinge cover cap (P) onto hinge arms. Push to clip on as shown.
- 15.2 : Attach 2x knobs (R) to the front of doors (5) & (6) using 2x round head bolts (T) as shown. Use a screwdriver to turn fitting (T) clockwise to fix.
- 15.3 : Place cloth bar (N) onto cloth bar support (F) on left & right sides of unit as shown.

Fitting



N x 1



P x 6

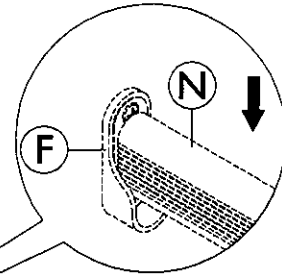
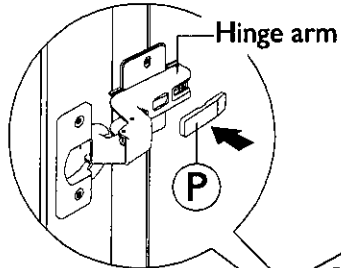


R x 2

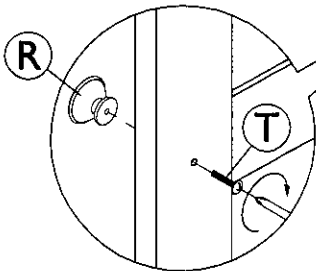


T x 2

Step 15.1



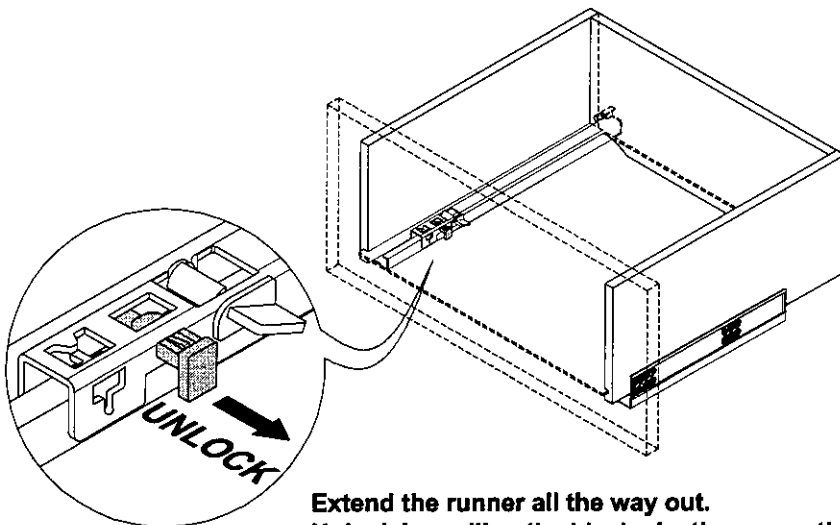
Step 15.3



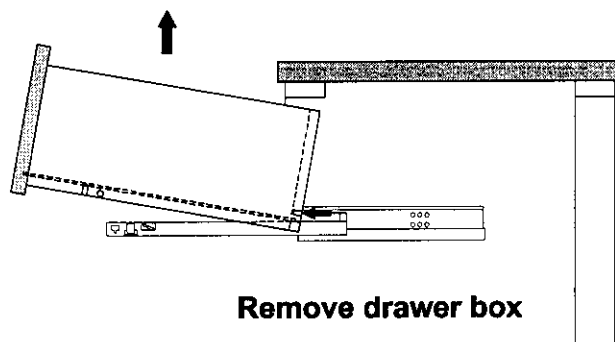
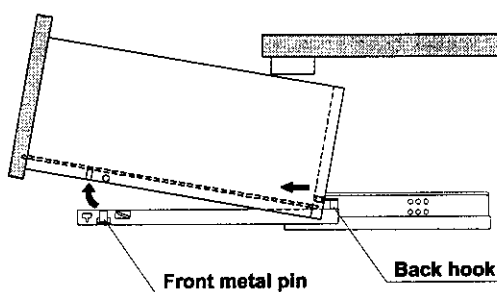
Step 15.2

TANDEM RUNNER ADJUSTMENT INSTRUCTION

REMOVE

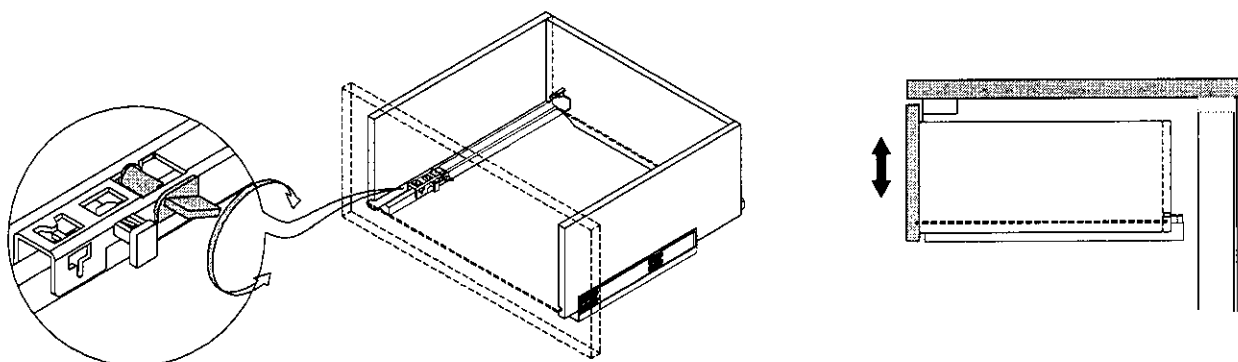


Extend the runner all the way out.
Unlock by pulling the black plastic peg on the runner out.



Hold runners with both of your hands.
Carefully lift the drawer front up from the front metal pin, then slide forward to remove from back hooks.

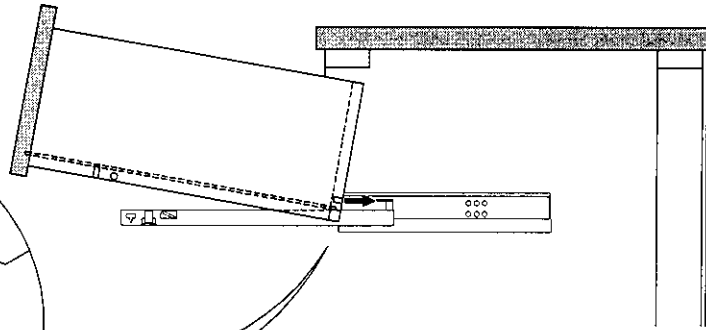
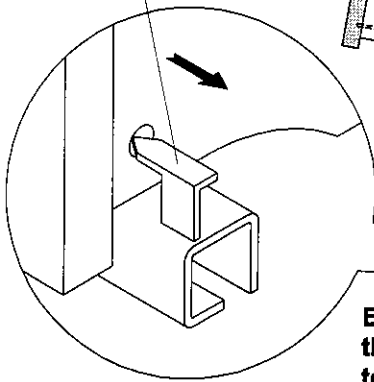
VERTICAL ADJUSTMENT (± 2.5 mm)



TANDEM RUNNER ADJUSTMENT INSTRUCTION

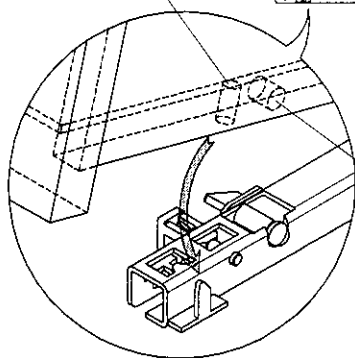
ASSEMBLE

Back hook

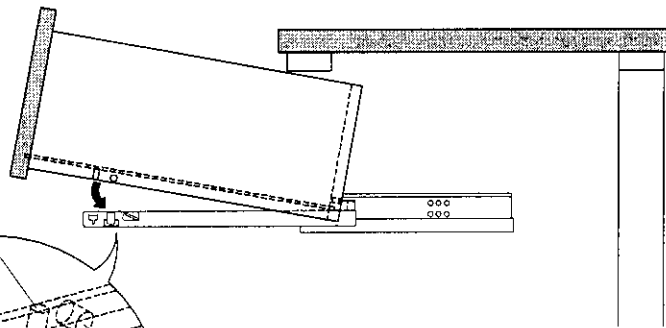


Extend the runner all the way out. Put the drawer onto them then hold both the runners with your hands, lift the drawer up with your thumbs and push to hook the drawer at the end of the runner.

Hole / Front metal pin

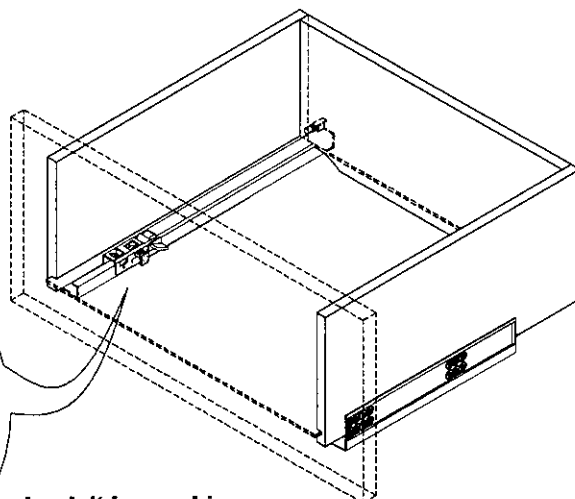
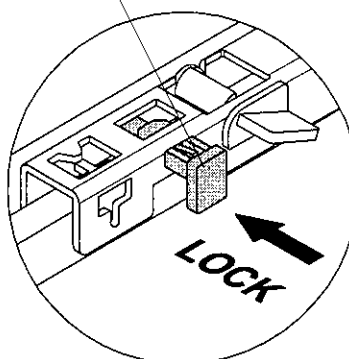


Hole / plastic peg



Once the back hook is connected gently lower the drawer onto the front metal pin.

Black plastic peg



Lock it by pushing the black plastic peg on the runner in.

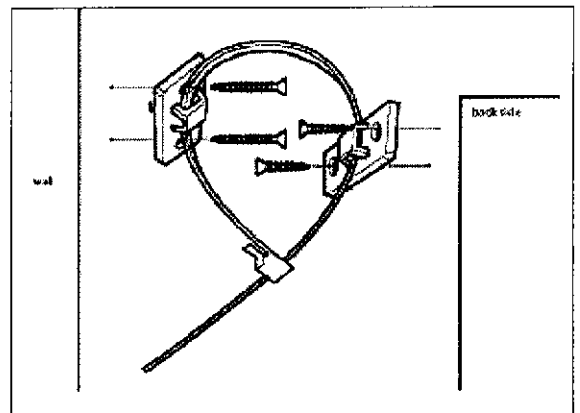
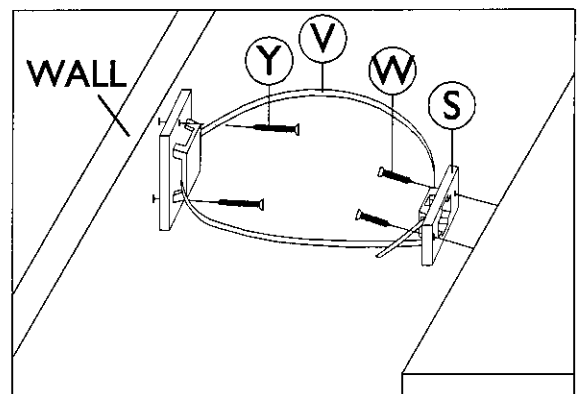
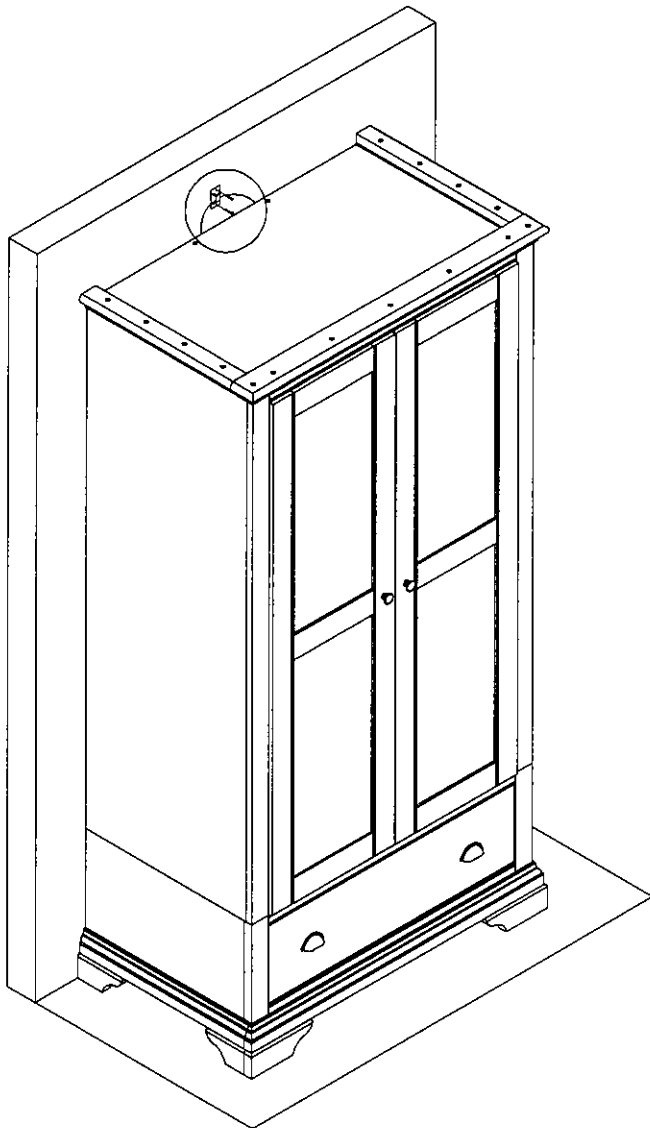
TIP KIT INSTRUCTIONS

Notice:

Notice: To prevent injury and property damage from unexpected tipping of furniture, we highly recommend installation of the anti-tip kit included with this product.

Attaching furniture to wall with anti-tip kits

1. Determine where the piece is to be placed and mark location on the wall for the mounting bracket screw holes. They should be placed approximately 1" below the top on the back of the piece of furniture.
2. Attach the mounting bracket vertically to the wall by inserting the long screws provided through the holes in the bracket and tightening securely using screwdriver. Screws must penetrate wall studs for proper installation.
3. Next using the short screws attach the 2nd bracket to the back of the piece of furniture's top.
4. Lace the nylon strap down through the brackets. Slide the thin end of the strap through the receiving end on the nylon strap. Pull to tighten the piece of furniture snug against wall.



CARE INSTRUCTIONS:

1. Hardware may loosen overtime. Periodically check that all connections are tight.
2. Wipe with a soft, dry cloth. To protect finish, avoid the use of chemicals and household cleaners.

Care and Maintenance

Wood Furniture

Wood displays different grain patterns depending on which way they are cut - for example, the 'medullary ray' which can appear on oak furniture is a mark of good quality timber - these are just characteristics of the natural beauty of the wood.

Some furniture is also deliberately aged and rustic.

Wood veneers also allow distinctive patterns to be created on some surfaces, such as table tops and drawer fronts by the way slivers are arranged.

All timber and veneer surfaces will change colour and mellow over time. New furniture will initially vary in shade from items that have been previously purchased.

How to care for your wood furniture

Dust with a clean, damp, lint free cloth. Frequent dusting will remove abrasive build up, which can damage the finish over time.

Do not use a very wet cloth or allow any liquid to contact with the veneers for a long period of time as this can permanently damage the surface. Wipe up spills immediately.

Do not use any abrasive cleaner or harsh detergent as this can damage the surface of the furniture.

Spray polishes are best avoided as they contain silicones which may spoil the furniture's surface when building up over time.

Make sure all surfaces are protected from heat and liquids by mats and coasters.

Ensure that a mat or pad is placed under paper when you are writing on the furniture surface.

Do not place rubber or plastic materials on the wood finish as chemicals within may react with the finish if left in contact for an extended period of time.

Our furniture will endure most temperatures in the home but it is best to avoid placing furniture next to heat sources such as radiators or fires. Be particularly careful with solid wood as the lack of humidity caused by home heating can cause damage such as warping, cracking or splitting.

Excessive exposure to sunlight can cause fading of your furniture.

Safety Instructions:

Never drag furniture when moving it. Always lift it.

Periodically check all fixings to ensure none have come loose. Re-tighten when necessary.

Please take care when handling or moving the furniture as careless handling may cause damage or injury.

Furniture can be dangerous if incorrectly assembled. Assembly should be carried out by a competent person.

No liability will be accepted for damage or injury caused by incorrectly installed or assembled furniture.

Heavy item warning:

It is recommended to seek assistance when moving a heavy object. Take care when lifting to avoid personal injury and (or) damage to the product.

It is recommended that before moving a heavy object to a new location it is completely dis-assembled to avoid personal injury or damage to the furniture. Please be careful to retain all fitting when doing this.

PLEASE KEEP THESE INSTRUCTIONS FOR FUTURE REFERENCE

R
m/h/v

R✓
13/4/12