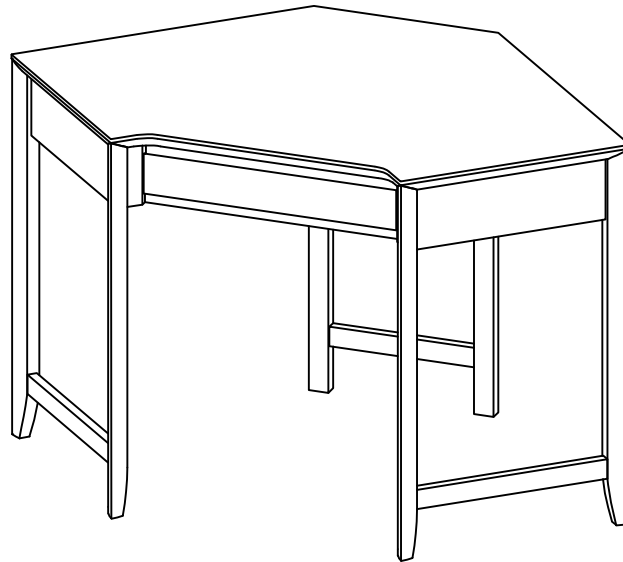


CORNER DESK

Stock number: 810X-66

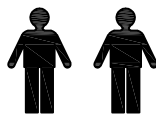
Thank you for purchasing this product. Please read the instructions carefully before use to ensure safe and satisfactory operation of this product.



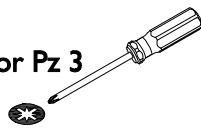
Pre-assembly preparation

Please ensure instructions are read in full before attempting to assemble this product.

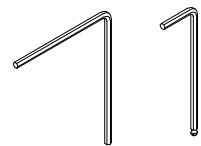
Necessary Tools : Pozi screwdriver



Pz 2 or Pz 3



(Included)



Please check the pack contents before attempting to assemble this product. A full checklist of components is given in this leaflet. If any components are missing, please contact the retailer from whom you bought this product.

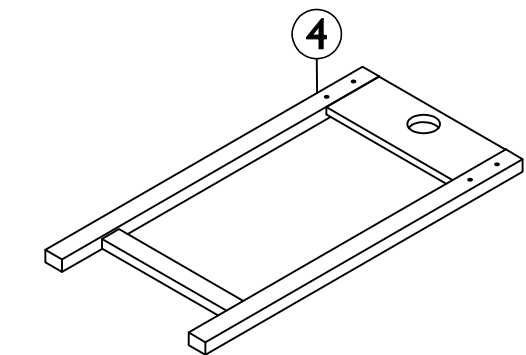
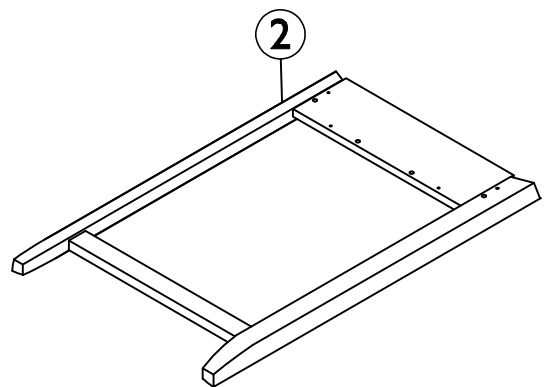
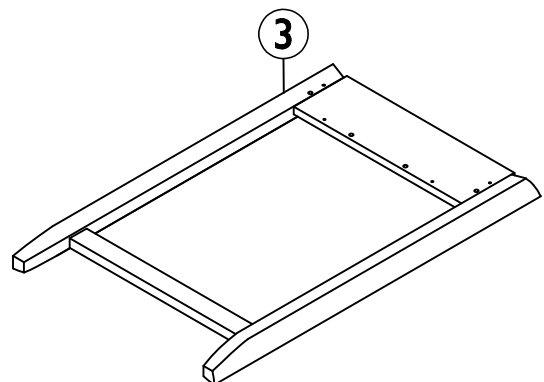
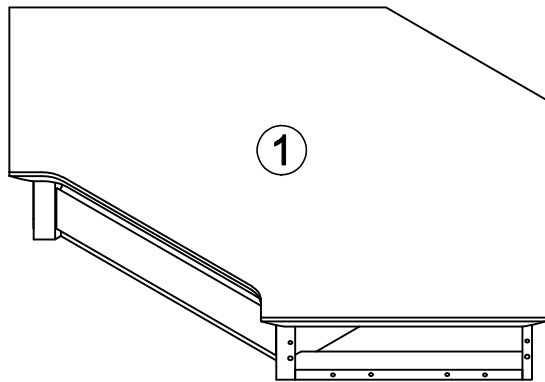
This product takes approximately **30 MINUTES** to assemble with **2 PEOPLE**.

All assembly should be performed on a flat, stable, clean and soft surface.











This product is **HEAVY**, it should be assembled as near as possible to the point of use. **TAKE CARE WHEN LIFTING** to avoid personal injury and (or) damage to the product

The fitting pack contains **SMALL ITEMS** which should be **KEPT AWAY FROM YOUNG CHILDREN**.

IMPORTANT: Retain these instructions for future reference.



Fittings and parts checklist

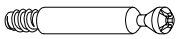
Item	Description	Qty.	Item	Description	Qty.
1	Top frame	x 1	3	Right leg frame	x 1
2	Left leg frame	x 1	4	Back leg frame	x 1
A	Grub screw	 x 4	F	Wooden dowel Ø6 x 30mm	 x 2
B	Steel dowel	 x 8	G	Grub screw M8 x 5.5	 x 4
C	Hex head bolt	 x 4	H	Housing Ø15x13.5mm	 x 4
D	Allen key M4 x 90 x 110	 x 1	J	Housing Ø15x11mm	 x 2
E	Wooden dowel Ø8 x 30mm	 x 6	K	Allen key M4x30x110mm	 x 1

Step By Step Assembly Instructions

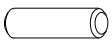
Step 1

- 1.1 : Lay all parts on a flat, stable, clean and soft surface.
 1.2 : Attach 8x steel dowels (B) into the pre-drilled holes on leg frames (2) & (3) as shown. Use a pozi screwdriver to turn fittings (B) clockwise to fix.
 1.3 : Attach 4x Housings (H) & 2x Housings (J) into the pre-drilled holes on top frame (1) as shown.
 1.4 : Insert 6x wooden dowels (E) & 2x wooden dowels (F) into the pre-drilled holes on top frame (1) as shown.

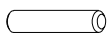
Fitting



B x 8



E x 6



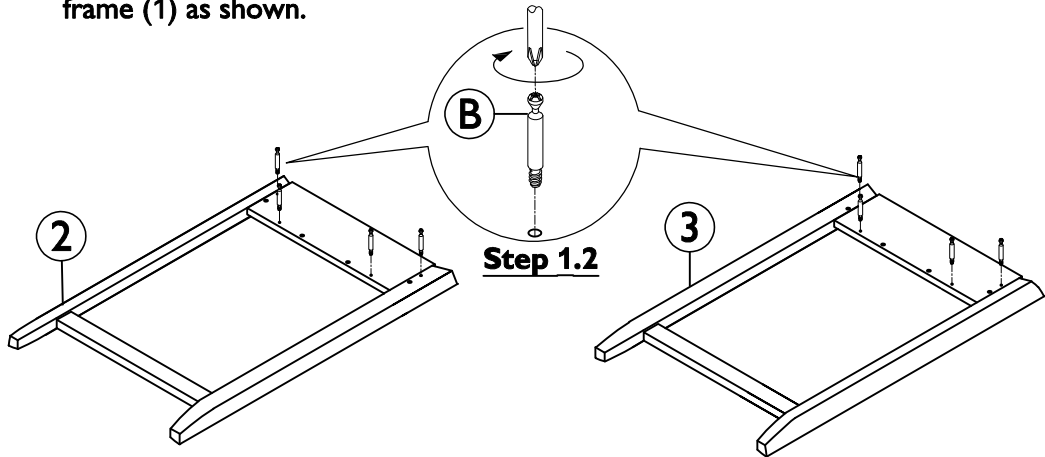
F x 2



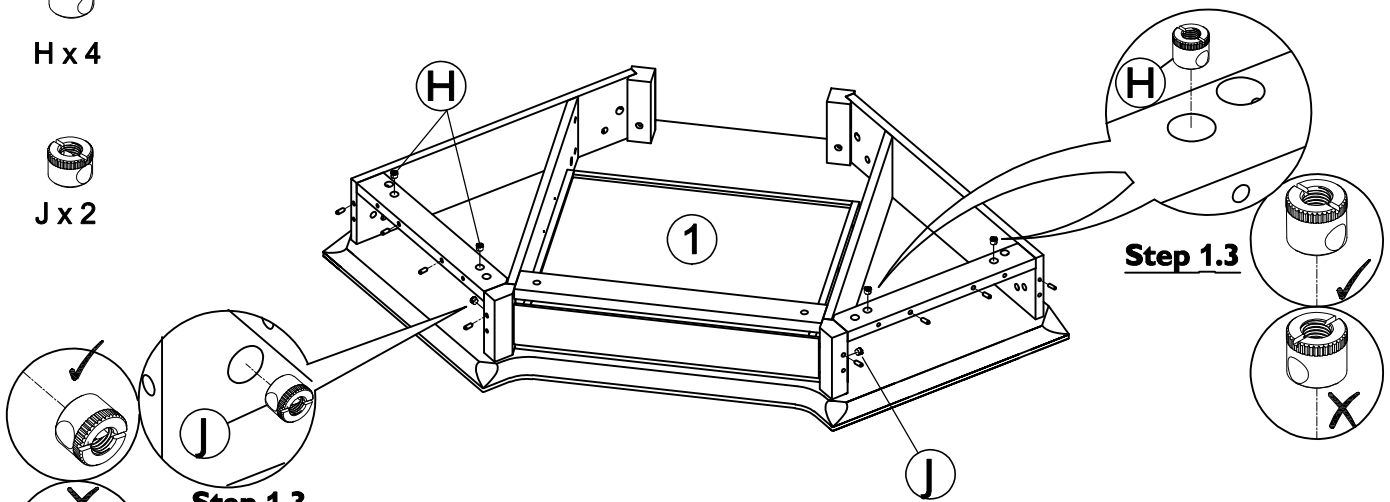
H x 4



J x 2

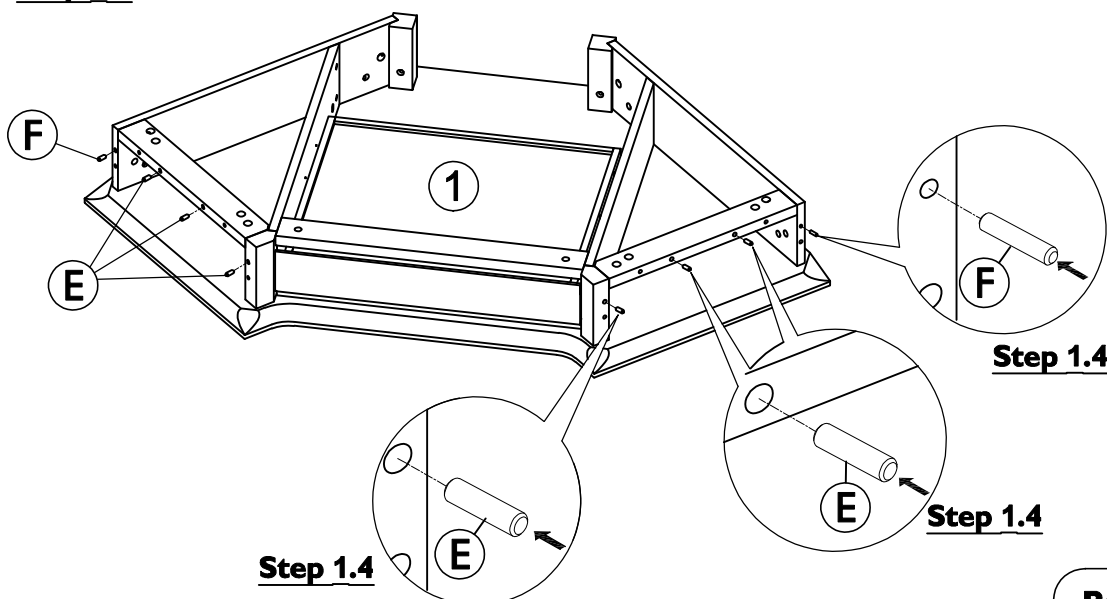


Step 1.2



Step 1.3

Step 1.3



Step 1.4

Step 1.4

Step 1.4

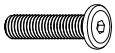
Step By Step Assembly Instructions

- Step 2**
- 2.1 : Attach leg frames (2) & (3) onto top frame (1) as shown. Ensure wooden dowels (E), wooden dowels (F) and steel dowels (B) are aligned correctly with the holes of mating parts before attaching.
- 2.2 : Secure parts (2) & (3) onto top frame (1) using 4x grub screws (G) as shown. Use a allen key (K) to turn fittings (G) clockwise to fix. Then use a allen key (D) **RE-TIGHTEN** grub screws (G) clockwise to fix. .
- 2.3 : Secure parts (2) & (3) onto top frame (1) using 4x grub screws (A) as shown. Use a allen key (D) to turn fittings (A) clockwise to fix.
- 2.4 : Attach back leg frame (4) onto top frame (1) as shown. Secure back leg frame (4) onto top frame (1) using 4x hex head bolt (C) as shown. Use allen key (D) to turn fittings (C) clockwise to fix.

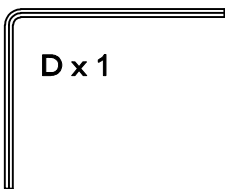
Fitting



A x 4



C x 4



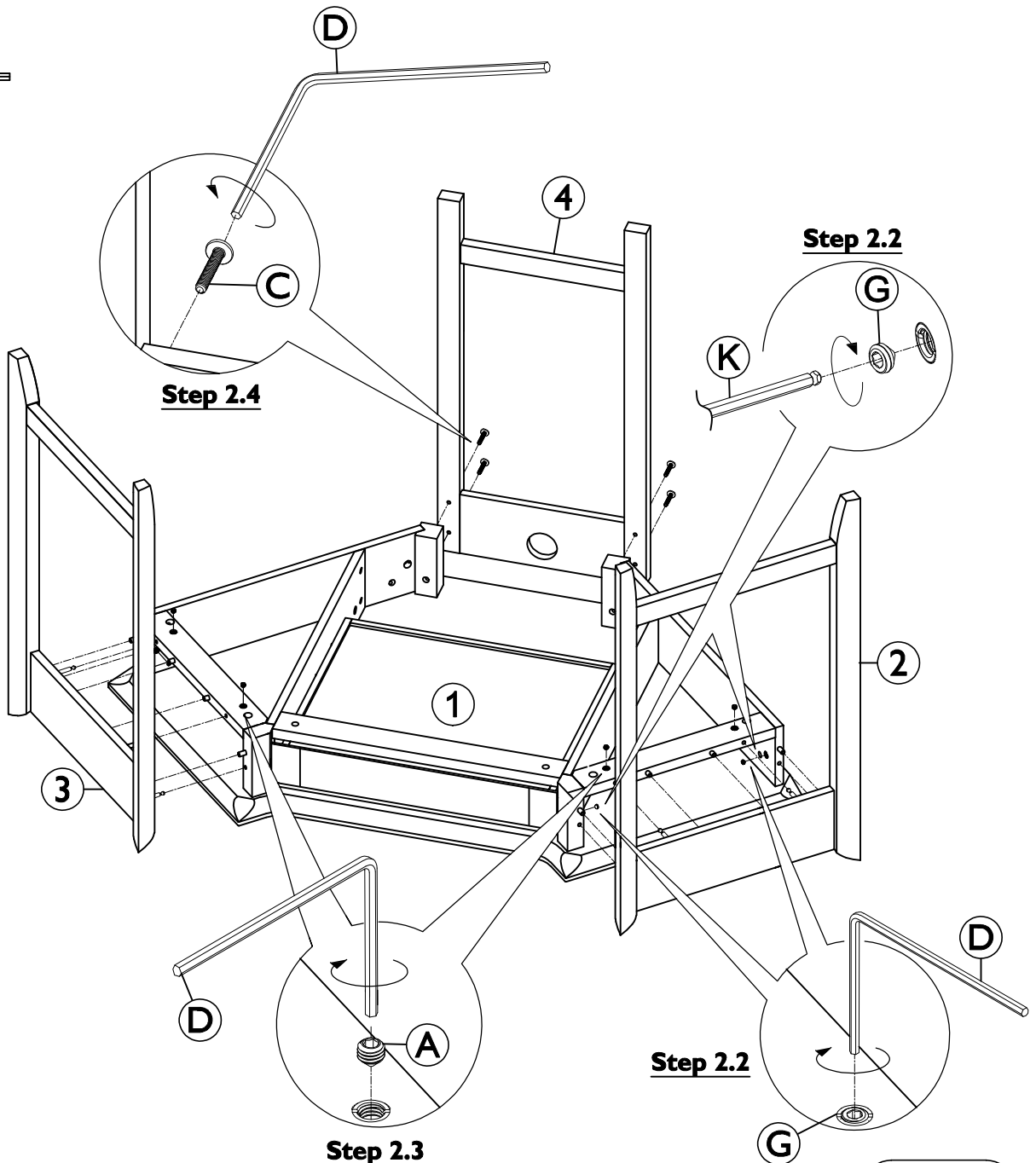
D x 1



G x 4



K x 1



Step By Step Assembly Instructions

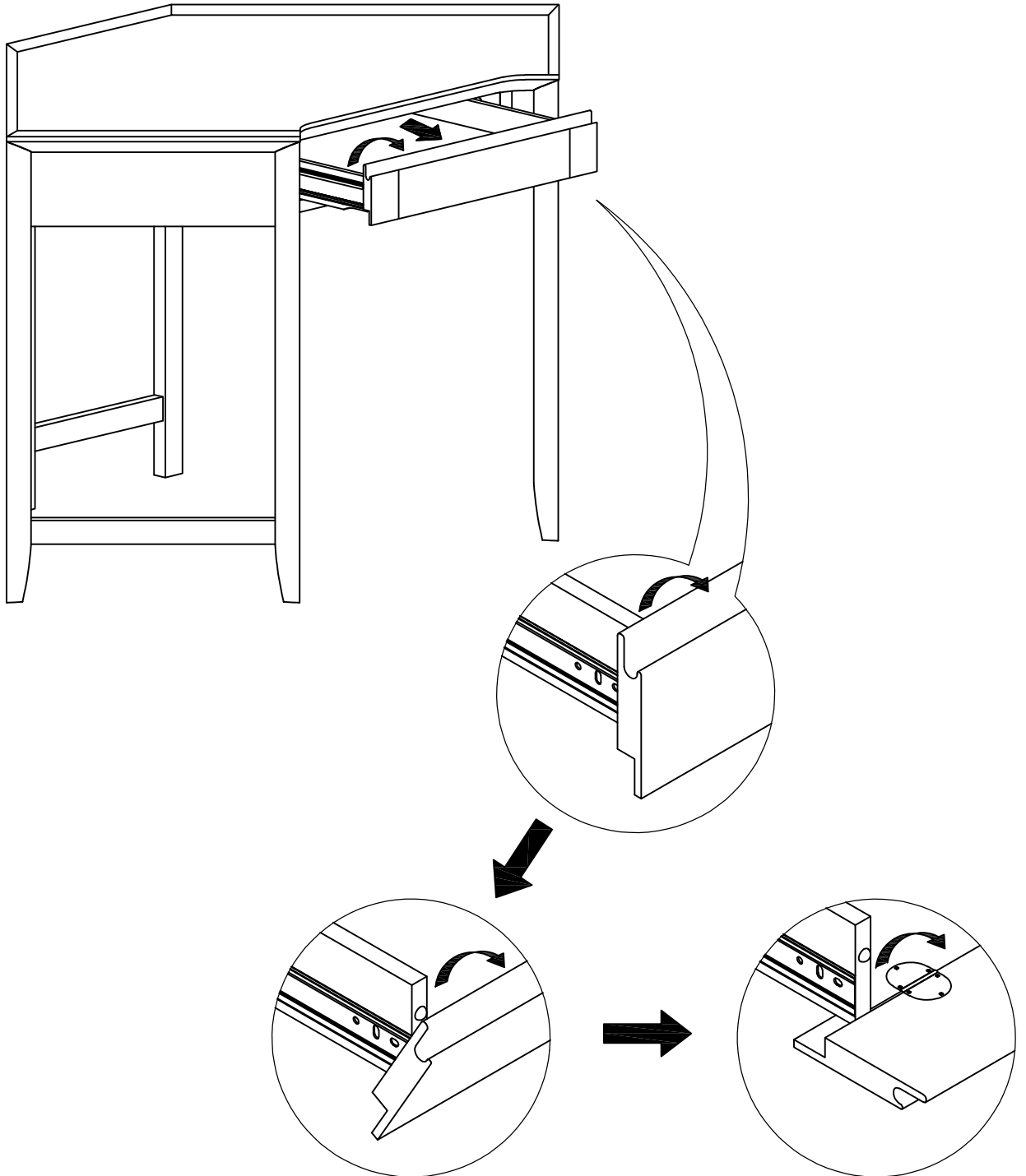
Step 3

: With help of assistant, carefully stand the unit upright.

Open & Close the drawer front.

: **Open the drawer front:** Pull the drawer out then fold down the drawer front as shown on diagram.

: **Close the drawer front:** Reverse the above procedure.

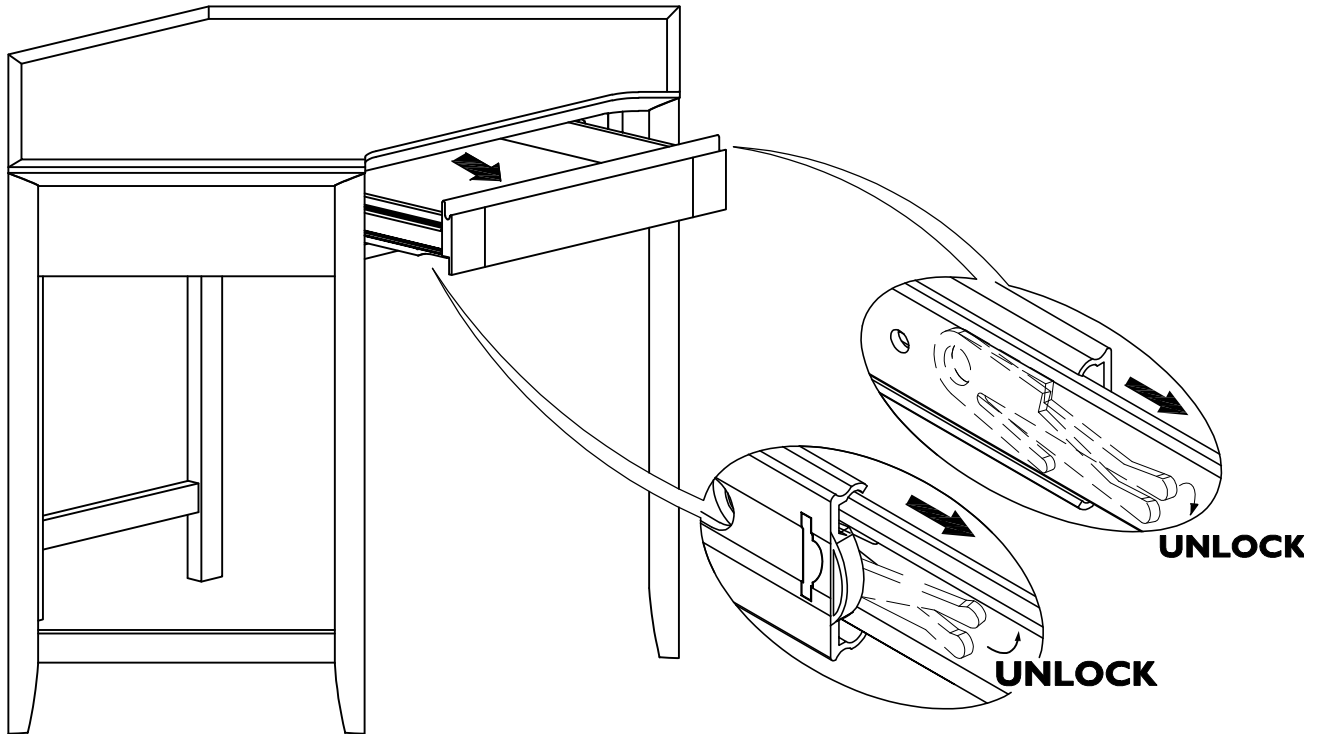


Assembly is complete

Step By Step Assembly Instructions

Remove & insert the drawer

Remove the drawer : Pull the drawer out and unlock by lifting up the locking pad located on left side and pressing down the locking pad located on right side of the drawer, then remove the drawer.



Insert the drawer: Insert the drawer into the unit. Ensure the runners on left and right sides of the drawer are aligned correctly with the runners on both sides of the unit. Continue to push the drawer into the unit until you hear the clicks (the clicks signal the runners are aligned properly and the soft closing mechanism is engaged)

