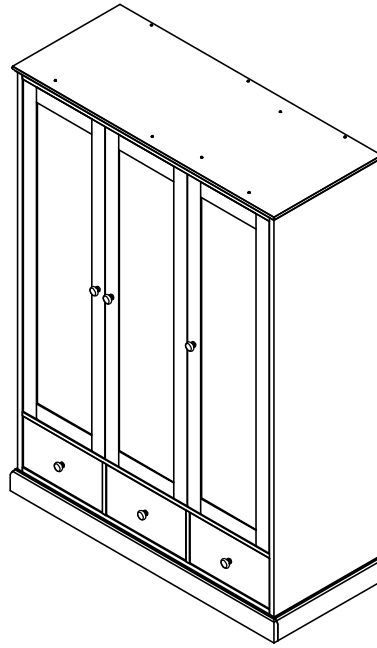


# TRIPLE WARDROBE

Stock number: 790X-83

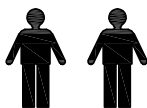
Thank you for purchasing this product. Please read the instructions carefully before use to ensure safe and satisfactory operation of this product.



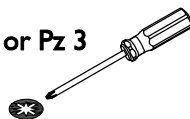
## Pre-assembly preparation

Please ensure instructions are read in full before attempting to assemble this product.

**Necessary Tools** : Pozi screwdriver and Phillips screwdriver



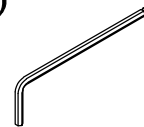
Pz 2 or Pz 3



Ph 2



(Included)



Please check the pack contents before attempting to assemble this product. A full checklist of components is given in this leaflet. If any components are missing, please contact the retailer from whom you bought this product.

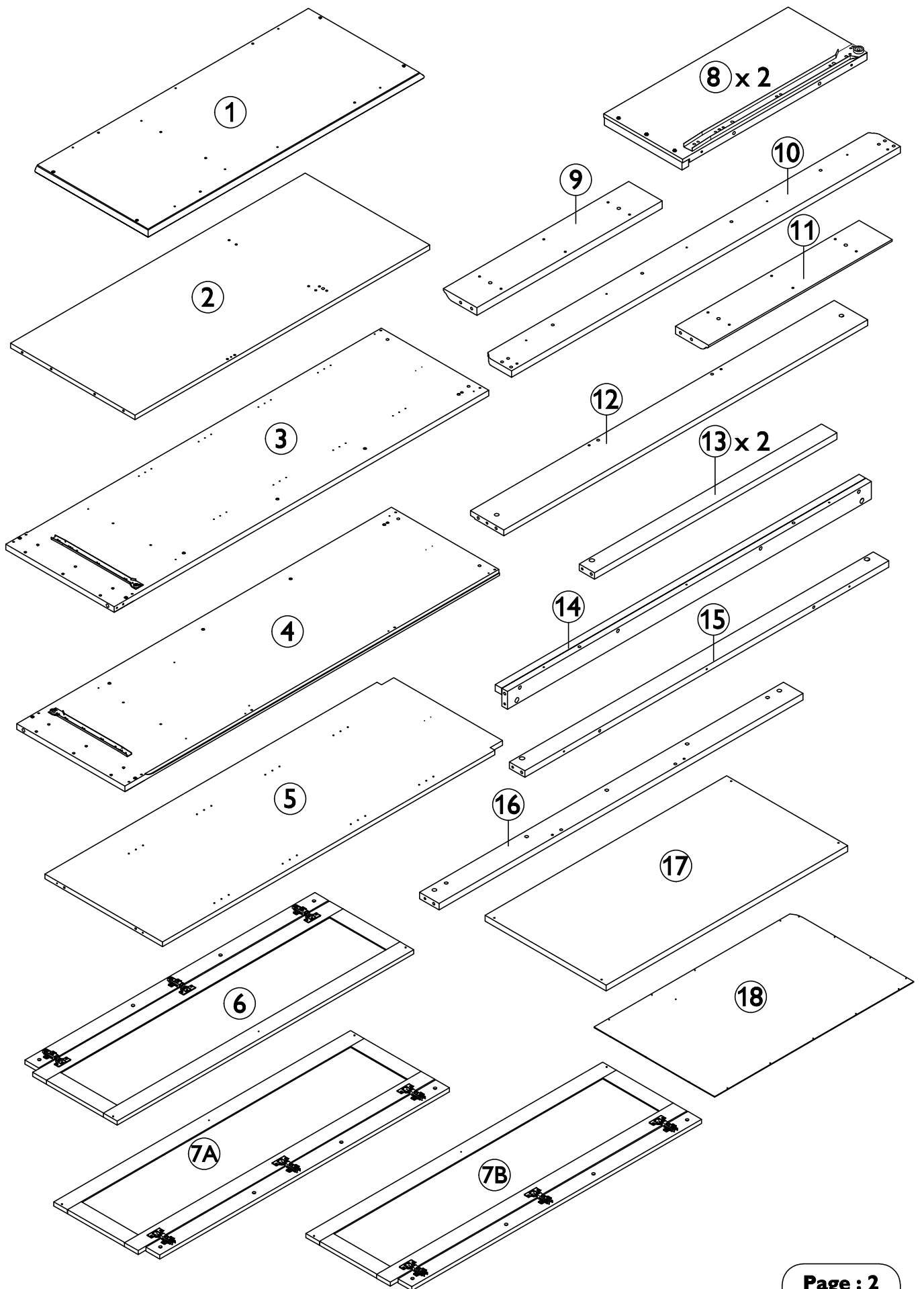
This product takes approximately **60 MINUTES** to assemble with **2 PEOPLE**.

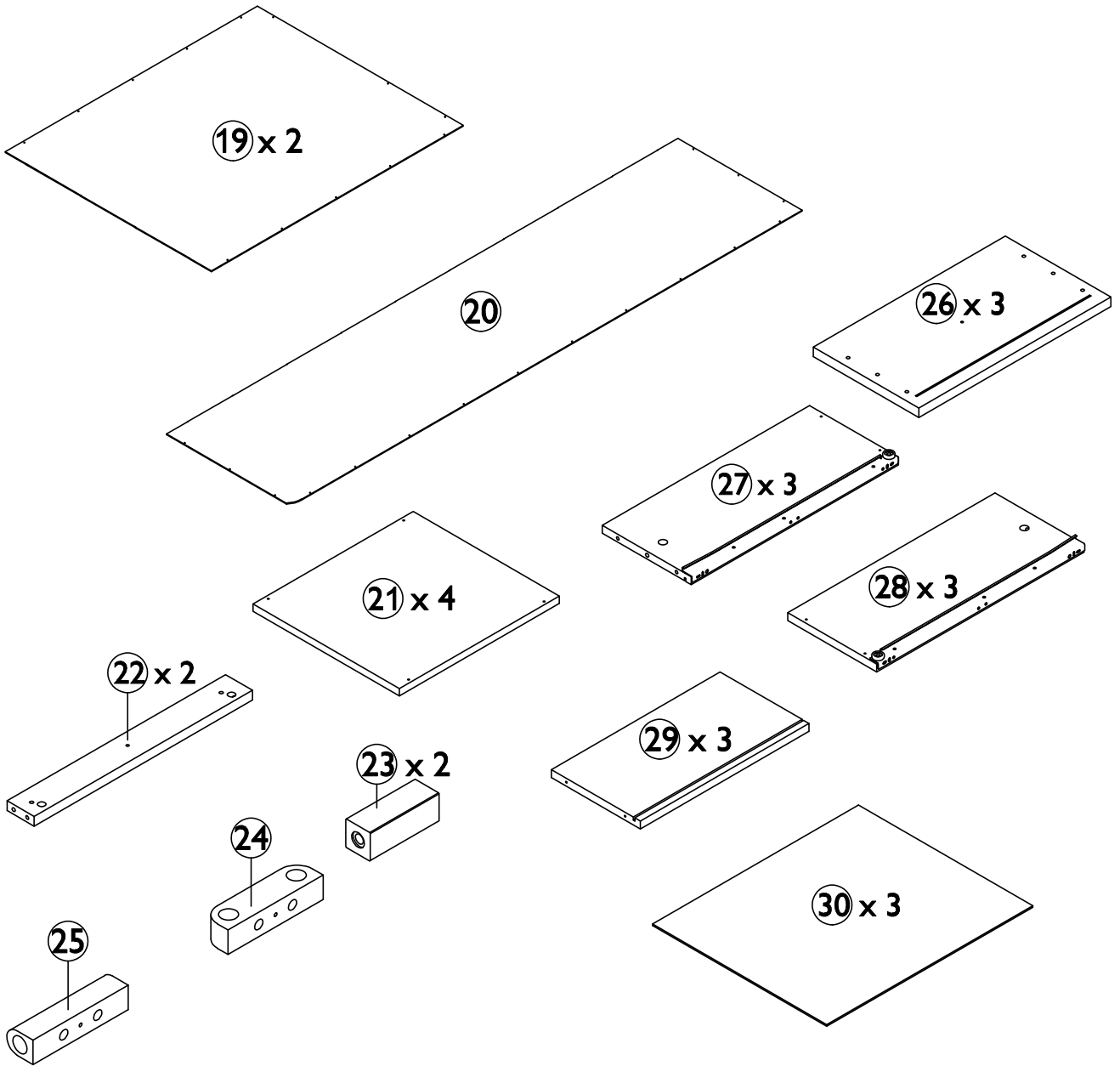
All assembly should be performed on a flat, stable, clean and soft surface.

This product is **HEAVY**, it should be assembled as near as possible to the point of use. **TAKE CARE WHEN LIFTING** to avoid personal injury and (or) damage to the product

The fitting pack contains **SMALL ITEMS** which should be **KEPT AWAY FROM YOUNG CHILDREN**.

**IMPORTANT:** Retain these instructions for future reference.


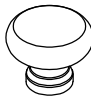


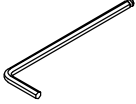
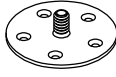


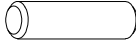

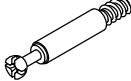




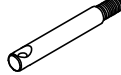



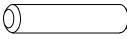



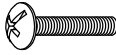
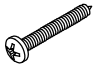


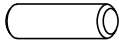

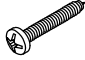




## Parts checklist

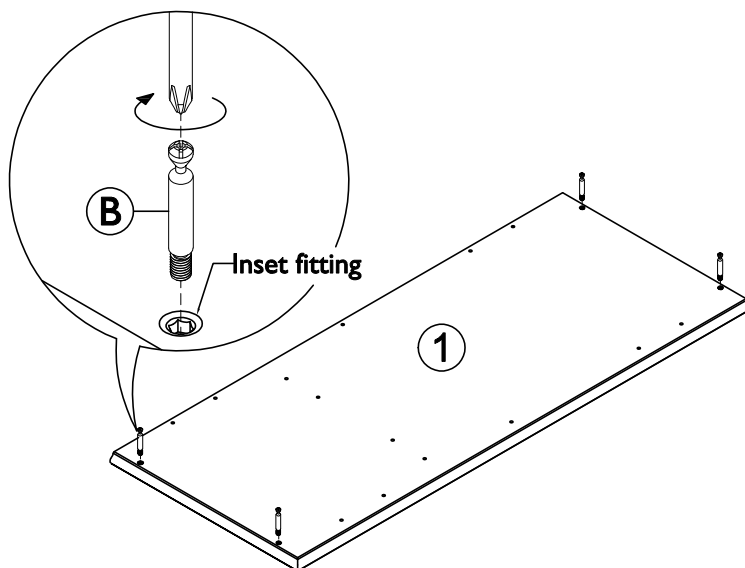
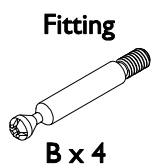
Item	Description	Qty.	Item	Description	Qty.
1	Top panel	x 1	16	Bottom front rail	x 1
2	Bottom panel	x 1	17	Large shelf	x 1
3	Right side panel	x 1	18	Back panel	x 1
4	Left side panel	x 1	19	Back panel	x 2
5	Large partition	x 1	20	Back panel	x 1
6	Left door	x 1	21	Small shelf	x 4
7A	Right door A	x 1	22	Bottom rail	x 2
7B	Right door B	x 1	23	Center leg	x 2
8	Small partition	x 2	24	Door stopper	x 1
9	Left moulding	x 1	25	Door stopper	x 1
10	Front moulding	x 1	26	Drawer front	x 3
11	Right moulding	x 1	27	Right drawer side	x 3
12	Bottom back rail	x 1	28	Left drawer side	x 3
13	Center back rail	x 2	29	Drawer back	x 3
14	Top front rail	x 1	30	Drawer bottom	x 3
15	Top back rail	x 1			

# Fittings checklist

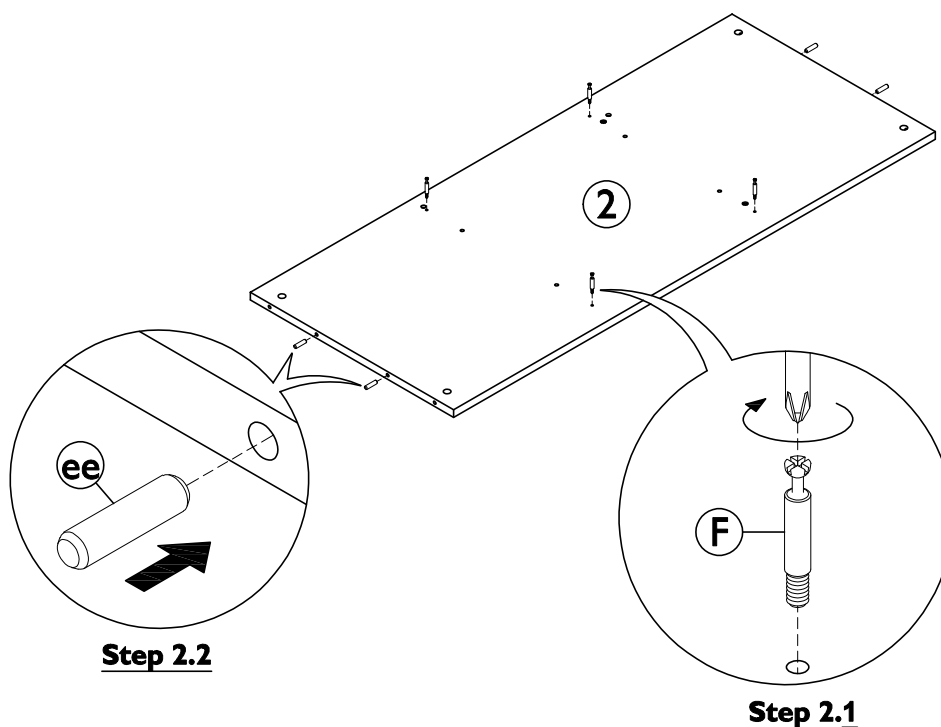
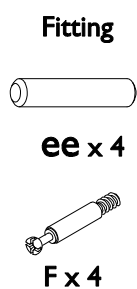
Item	Description	Qty.	Item	Description	Qty.
<b>A</b>	Grub screw M8x8mm	 x 8	<b>R</b>	Handle	 x 6
<b>B</b>	Steel dowel Ø7x52mm	 x 8	<b>S</b>	Round head bolt M4x28mm	 x 6
<b>C</b>	Allen key M4x30x110	 x 1	<b>T</b>	Metal plate	 x 2
<b>D</b>	Wood shelf support	 x 20	<b>U</b>	Flat head screw Ø4x15mm	 x 10
<b>E</b>	Wooden dowel Ø8x30mm	 x 24	<b>V</b>	Flat washer	 x 10
<b>F</b>	Cam screw Ø7x44.5mm	 x 22	<b>X</b>	Round head screw Ø4x25mm	 x 7
<b>G</b>	Cam lock Ø15x13.5mm	 x 14	<b>Y</b>	Handle (Option)	 x 6
<b>H</b>	Hanger rail support	 x 4	<b>Z</b>	Small steel dowel Ø5.5x45mm	 x 6
<b>J</b>	Varianta screw Ø4.2x10.5mm	 x 8	<b>dd</b>	Round head screw Ø4x40mm	 x 12
<b>K</b>	Hex head bolt Ø7x50mm	 x 14	<b>ee</b>	Wooden dowel Ø6x30mm	 x 36
<b>L</b>	Hex head bolt M6x25mm	 x 12	<b>ff</b>	Small grub screw M7x7.5mm	 x 6
<b>M</b>	Round head screw Ø3.5x15mm	 x 36	<b>gg</b>	Round head bolt M4x30mm	 x 6
<b>N</b>	Round head screw Ø4x30mm	 x 12	<b>hh</b>	Cam lock	 x 8
<b>P</b>	Long hanger rail	 x 1	<b>jj</b>	Wooden dowel Ø8x25mm	 x 8
<b>Q</b>	Short hanger rail	 x 1	<b>kk</b>	Round head screw Ø3.5x18mm	 x 32

# Step by step assembly instructions

**Step 1** : Attach 4x steel dowels (B) into top panel (1) by screwing fittings (B) into the inset fittings that are located on part (1) as shown. Use a pozi screwdriver to turn fittings (B) clockwise to fix.

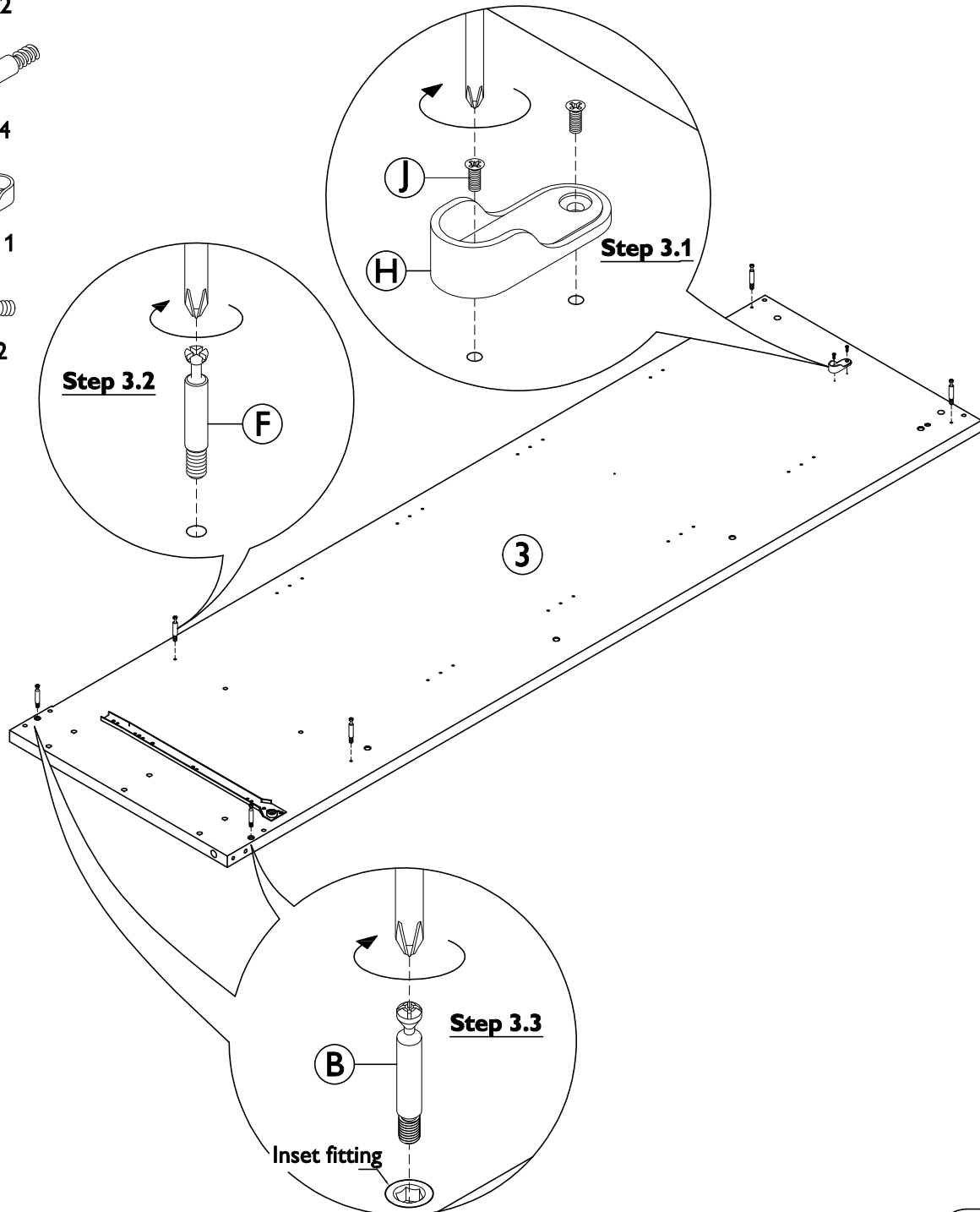
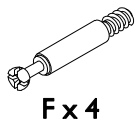
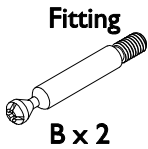


**Step 2** 2.1: Attach 4x cam screws (F) into the pre-drilled holes on bottom panel (2) as shown. Use a screwdriver to turn fittings (F) clockwise to fix.  
2.2: Insert 4x wooden dowels (ee) into the pre-drilled holes on bottom panel (2) as shown.



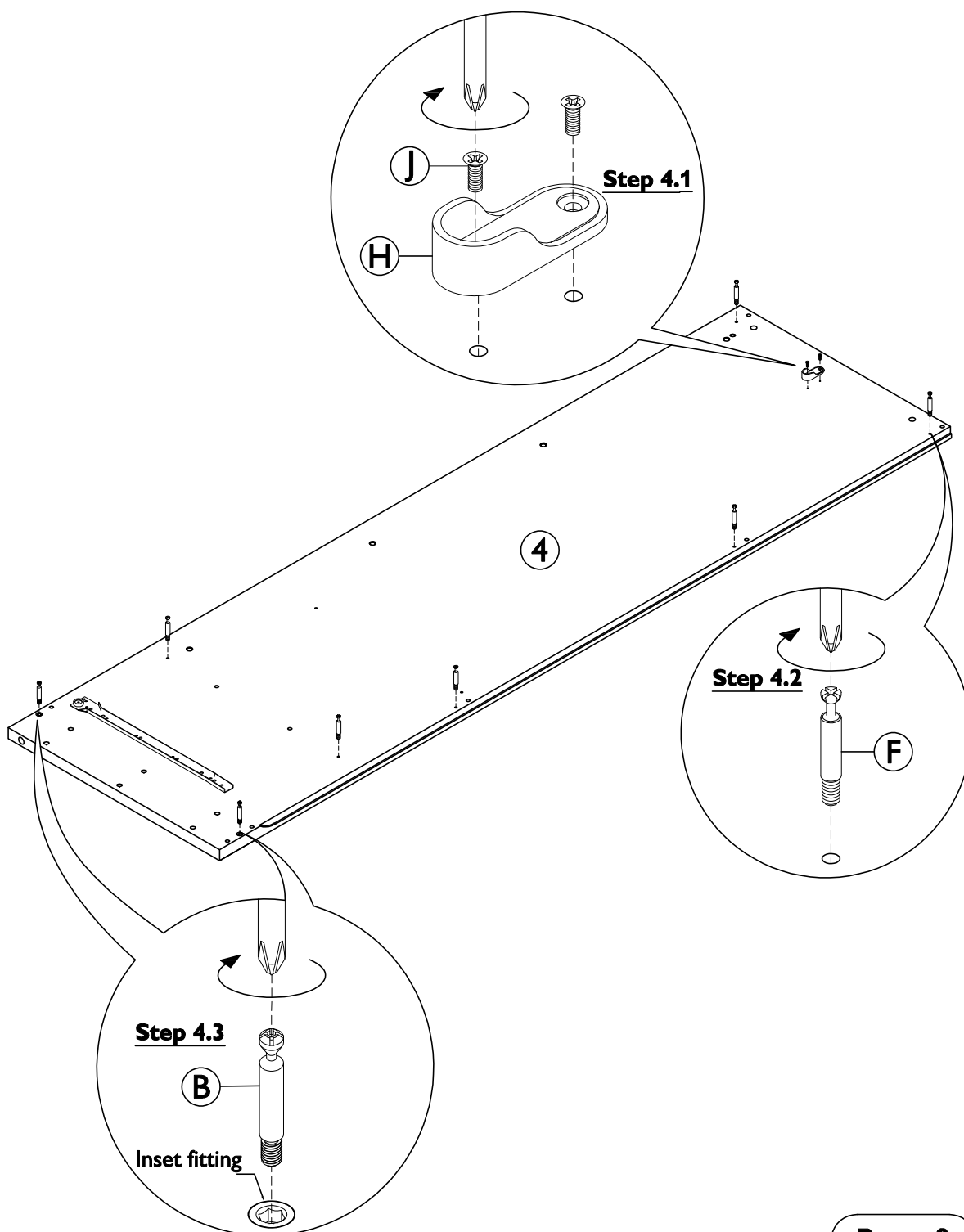
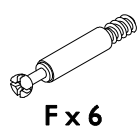
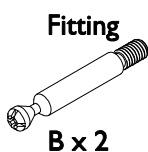
# Step by step assembly instructions

- Step 3**
- 3.1: Attach 1x hanger rail support (H) onto right side panel (3) using 2x varianta screws (J) as shown. Use a screwdriver to turn fittings (J) clockwise to fix.
  - 3.2: Attach 4x cam screws (F) into the pre-drilled holes on right side panel (3) as shown. Use a screwdriver to turn fittings (F) clockwise to fix.
  - 3.3: Attach 2x steel dowels (B) into right side panel (3) by screwing fittings (B) into the inset fittings that are located on part (3) as shown. Use a pozi screwdriver to turn fittings (B) clockwise to fix.



# Step by step assembly instructions

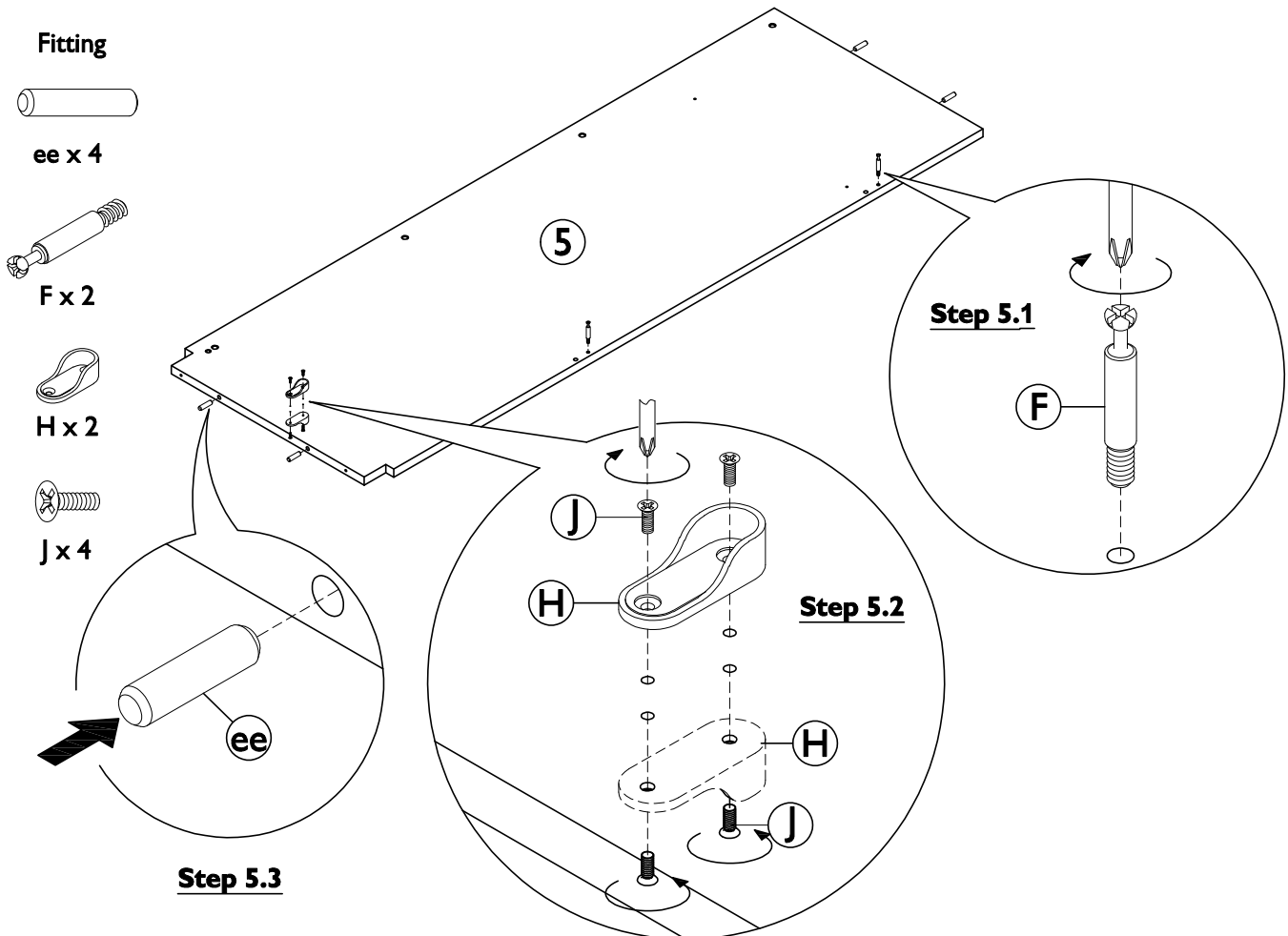
- Step 4**
- 4.1: Attach 1x hanger rail support (H) onto left side panel (4) using 2x varianta screws (J) as shown. Use a screwdriver to turn fittings (J) clockwise to fix.
  - 4.2: Attach 6x cam screws (F) into the pre-drilled holes on left side panel (4) as shown. Use a screwdriver to turn fittings (F) clockwise to fix.
  - 4.3: Attach 2x steel dowels (B) into left side panel (4) by screwing fittings (B) into the inset fittings that are located on part (4) as shown. Use a pozi screwdriver to turn fittings (B) clockwise to fix.



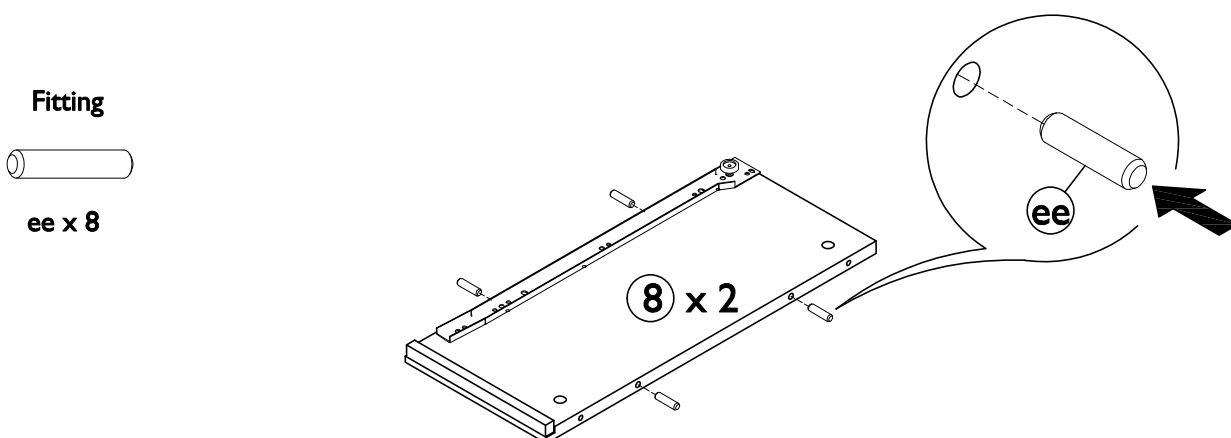


# Step by step assembly instructions

- Step 5**
- 5.1: Attach 2x cam screws (F) into the pre-drilled holes on large partition (5) as shown. Use a screwdriver to turn fittings (F) clockwise to fix.
- 5.2: Attach 2x hanger rail supports (H) onto large partition (5) using 4x varianta screws (J) as shown. Use a screwdriver to turn fittings (J) clockwise to fix.
- 5.3: Insert 4x wooden dowels (ee) into the pre-drilled holes on large partition (5) as shown.



- Step 6** : Insert 8x wooden dowels (ee) into the pre-drilled holes on small partitions (8) as shown.



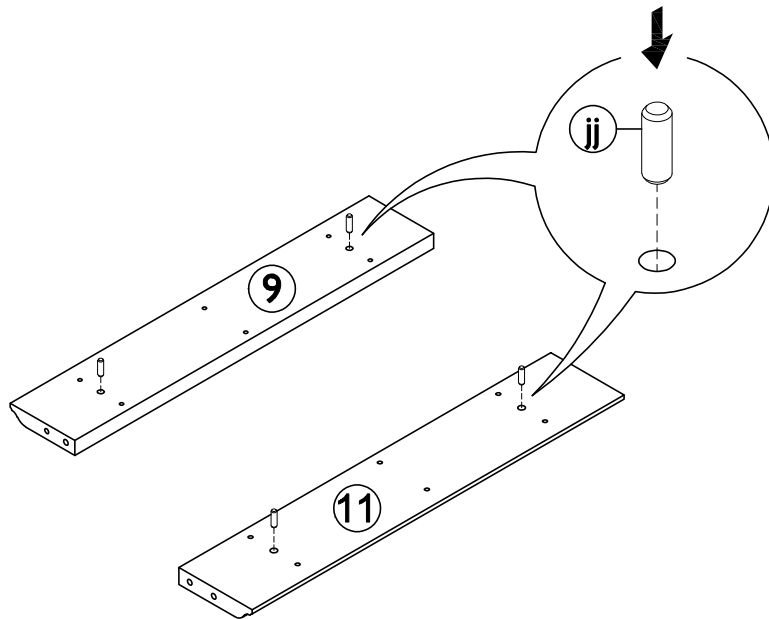
# Step by step assembly instructions

**Step 7** : Insert 4x wooden dowels (jj) into the pre-drilled holes on mouldings (9), (11) as shown.

Fitting



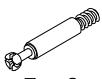
jj x 4



**Step 8** 8.1: Attach 2x cam screws (F) into the pre-drilled holes on front moulding (10) as shown. Use a screwdriver to turn fittings (F) clockwise to fix.

8.2: Insert 4x wooden dowels (jj) into the pre-drilled holes on mouldings (10) as shown.

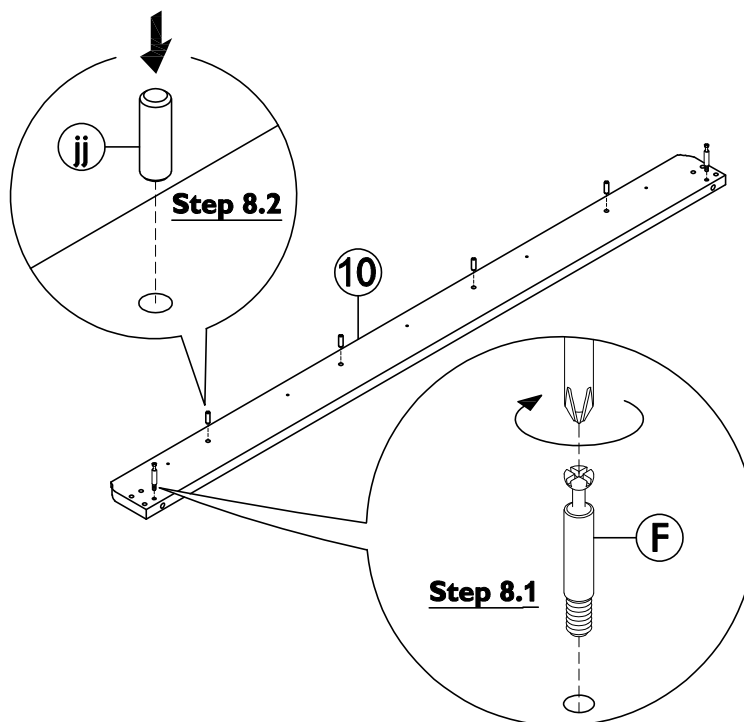
Fitting



F x 2

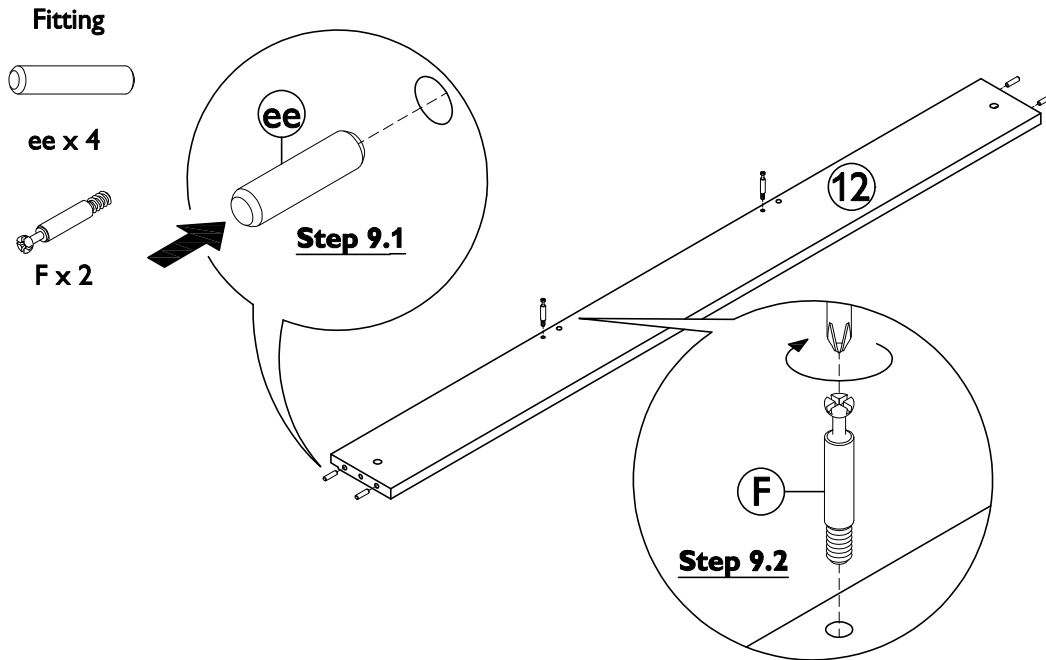


jj x 4

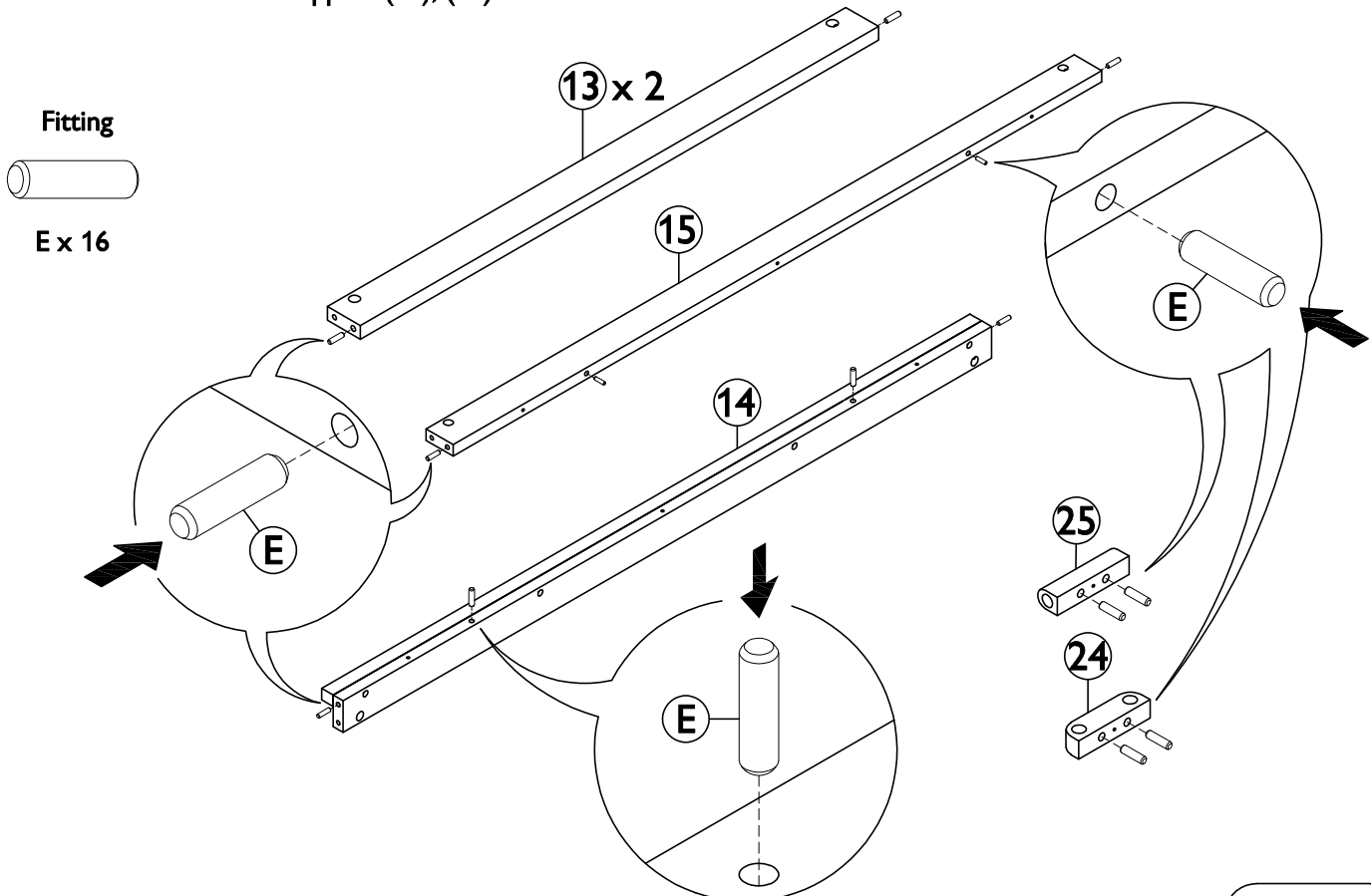


# Step by step assembly instructions

- Step 9**
- 9.1: Insert 4x wooden dowels (ee) into the pre-drilled holes on bottom back rail (12) as shown.
- 9.2: Attach 2x cam screws (F) into the pre-drilled holes on bottom back rail (12) as shown. Use a screwdriver to turn fittings (F) clockwise to fix.

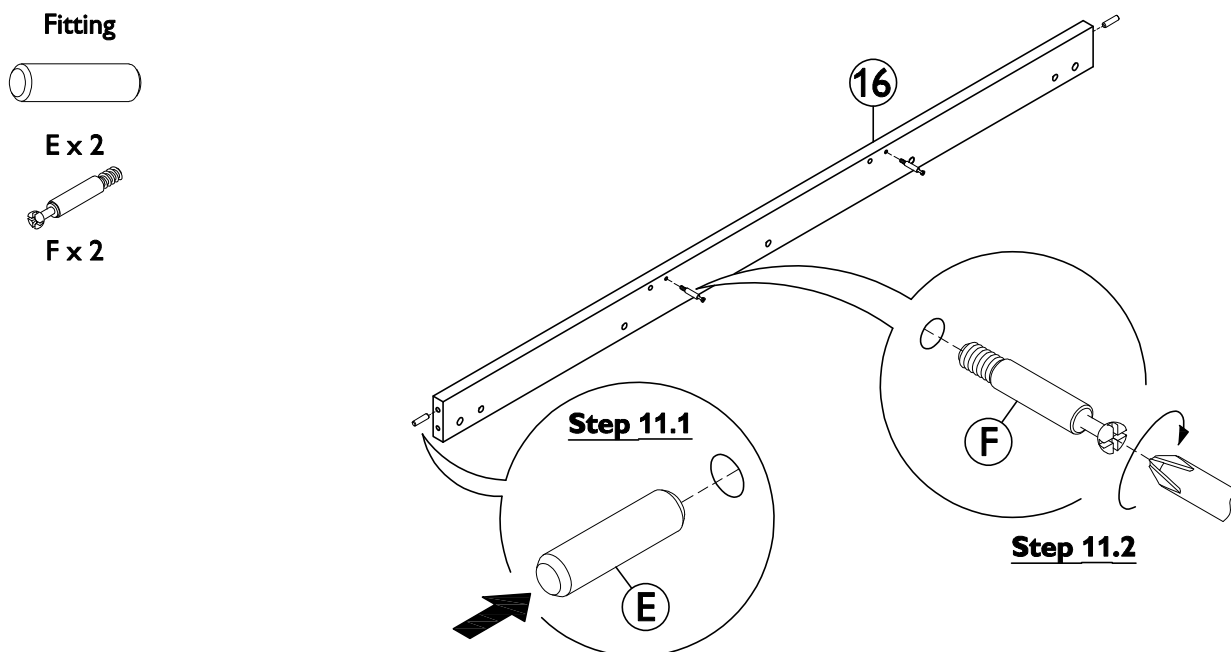


- Step 10** : Insert 16x wooden dowels (E) into the pre-drilled holes on rails (13), (14), (15) and door stoppers (24), (25) as shown.

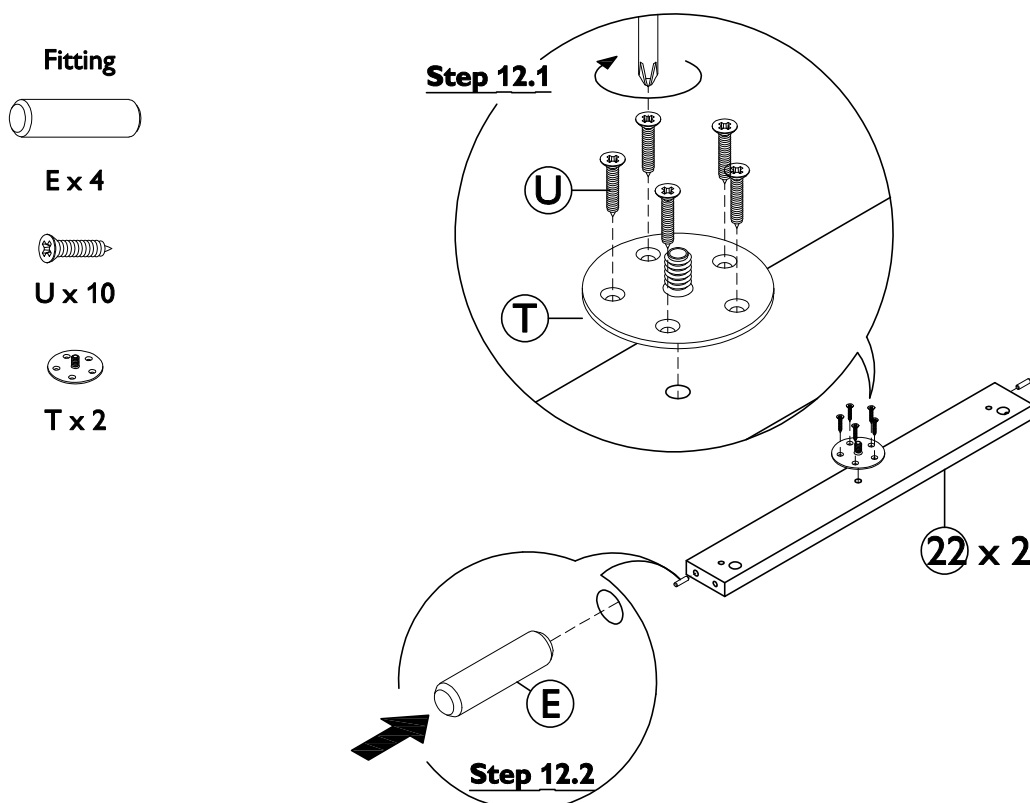


## Step by step assembly instructions

- Step 11** 11.1 : Insert 2x wooden dowels (E) into the pre-drilled holes on bottom front rail (16) as shown.  
11.2 : Attach 2x cam screws (F) into the pre-drilled holes on bottom front rail (16) as shown.  
Use a screwdriver to turn fittings (F) clockwise to fix.

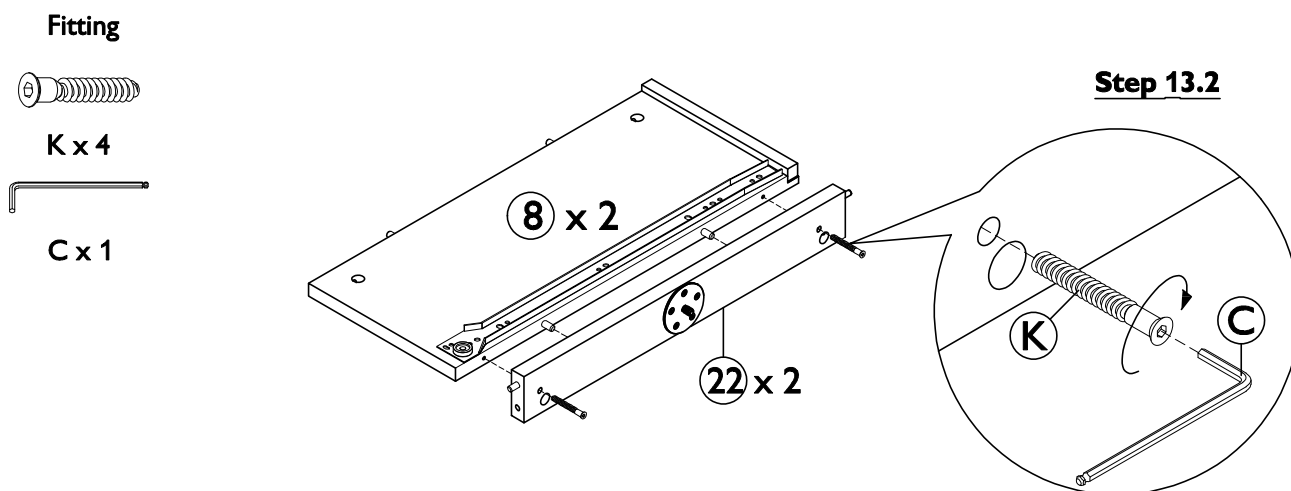


- Step 12** 12.1: Attach 2x metal plates (T) onto bottom rails (22) using 10x flat head screws (U) as shown.  
Use a screwdriver to turn fittings (U) clockwise to fix.  
12.2: Insert 4x wooden dowels (E) into the pre-drilled holes on bottom rails (22) as shown.

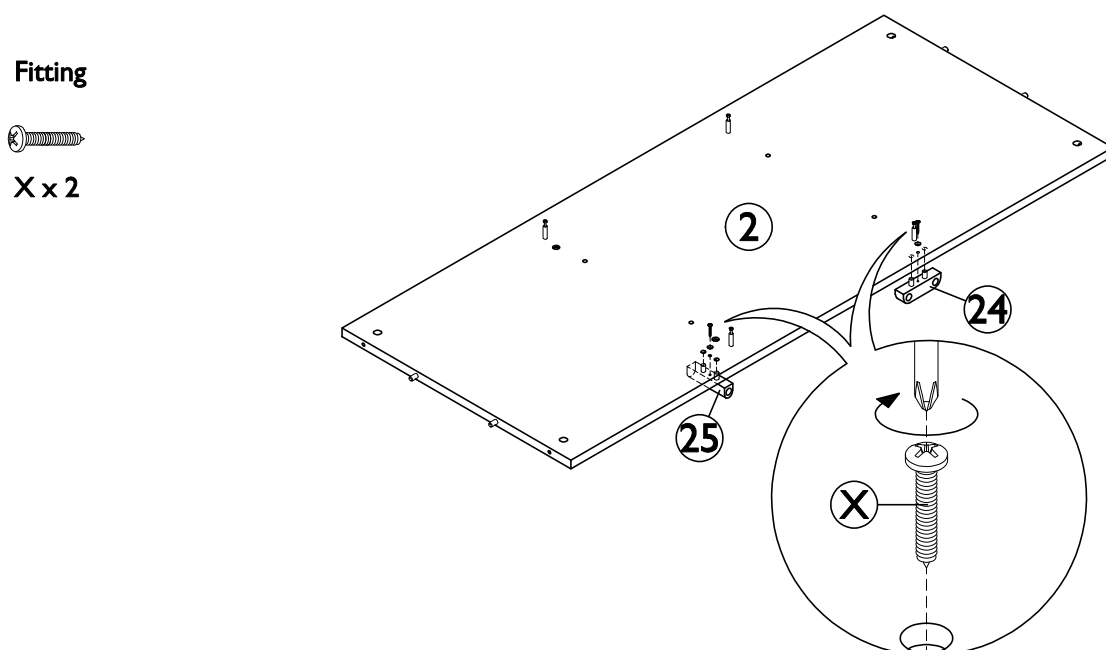


## Step by step assembly instructions

- Step 13**
- 13.1 : Attach bottom rails (22) onto small partitions (8) as shown. Ensure wooden dowels (ee) are aligned correctly with the holes of mating parts before attaching.
- 13.2 : Secure parts (22) to all parts (8) using 4x hex head bolts (K) as shown. Use allen key (C) to turn fittings (K) clockwise to fix.

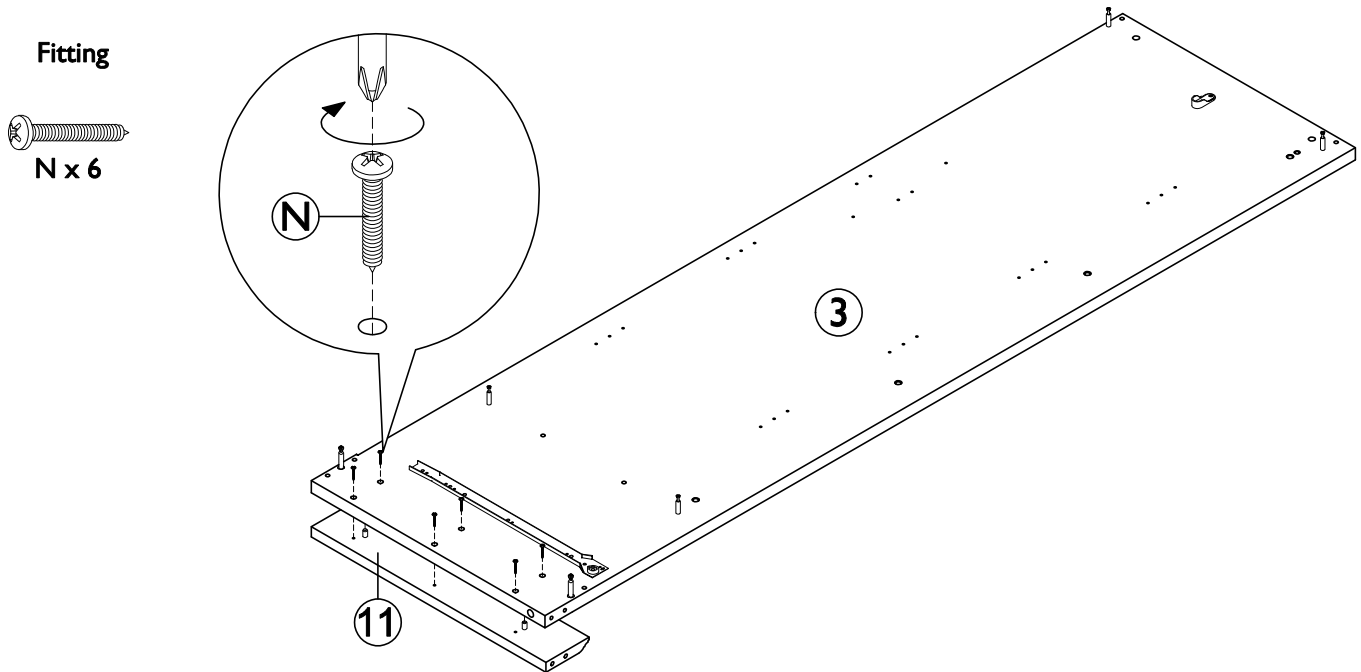


- Step 14** : Attach door stoppers (24), (25) onto bottom panel (2) using 2x round head screws (X) as shown. Use a screwdriver to turn fittings (X) clockwise to fix.

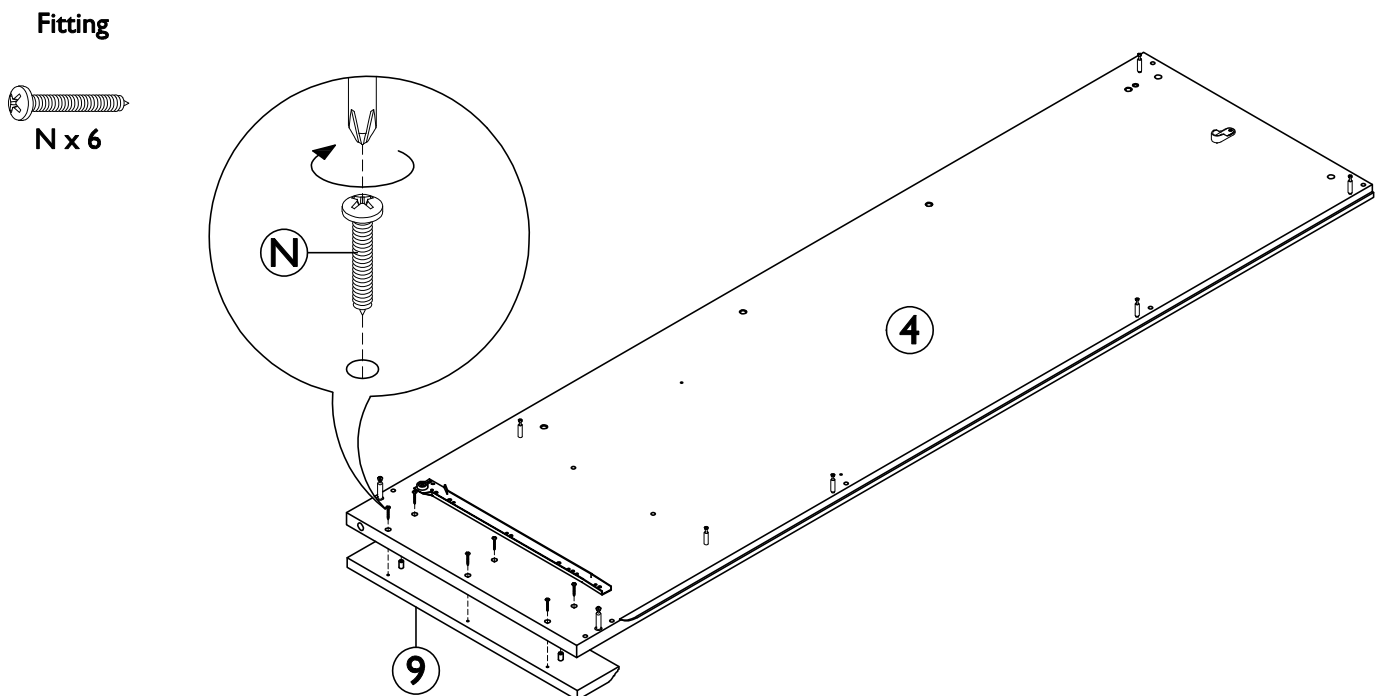


## Step by step assembly instructions

**Step 15** : Attach right moulding (11) onto right side panel (3) using 6x round head screws (N) as shown. Ensure wooden dowels (jj) are aligned correctly with the holes of mating parts before attaching. Use a screwdriver to turn fittings (N) clockwise to fix.



**Step 16** : Attach left moulding (9) onto left side panel (4) using 6x round head screws (N) as shown. Ensure wooden dowels (jj) are aligned correctly with the holes of mating parts before attaching. Use a screwdriver to turn fittings (N) clockwise to fix.



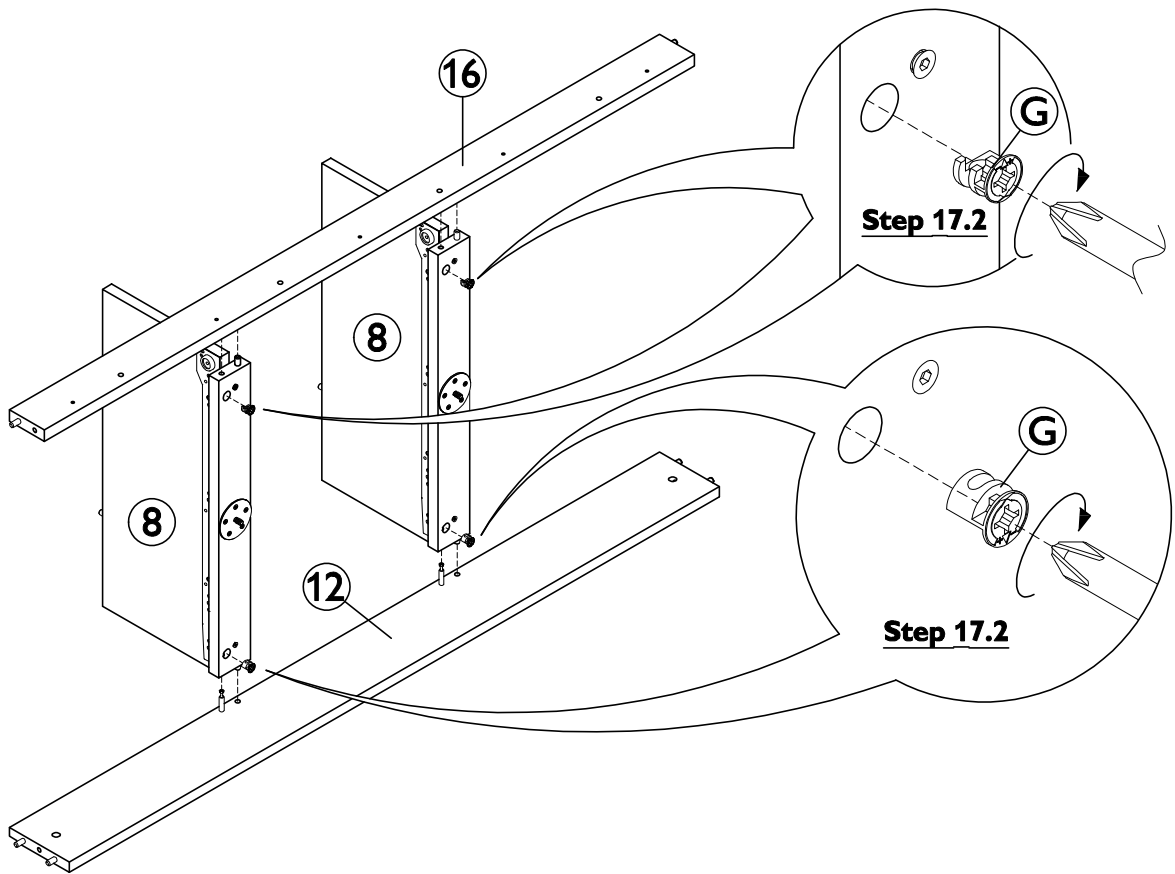
# Step by step assembly instructions

- Step 17**
- 17.1: Attach both rails (12) & (16) onto small partitions (8) as shown. Ensure dowels (E) and cam screws (F) are aligned correctly with the holes of mating parts before attaching.
- 17.2: Secure all parts (12), (16) to parts (8) using 4x cam locks (G) as shown. Use a pozi screwdriver to turn fittings (G) clockwise to fix.

Fitting

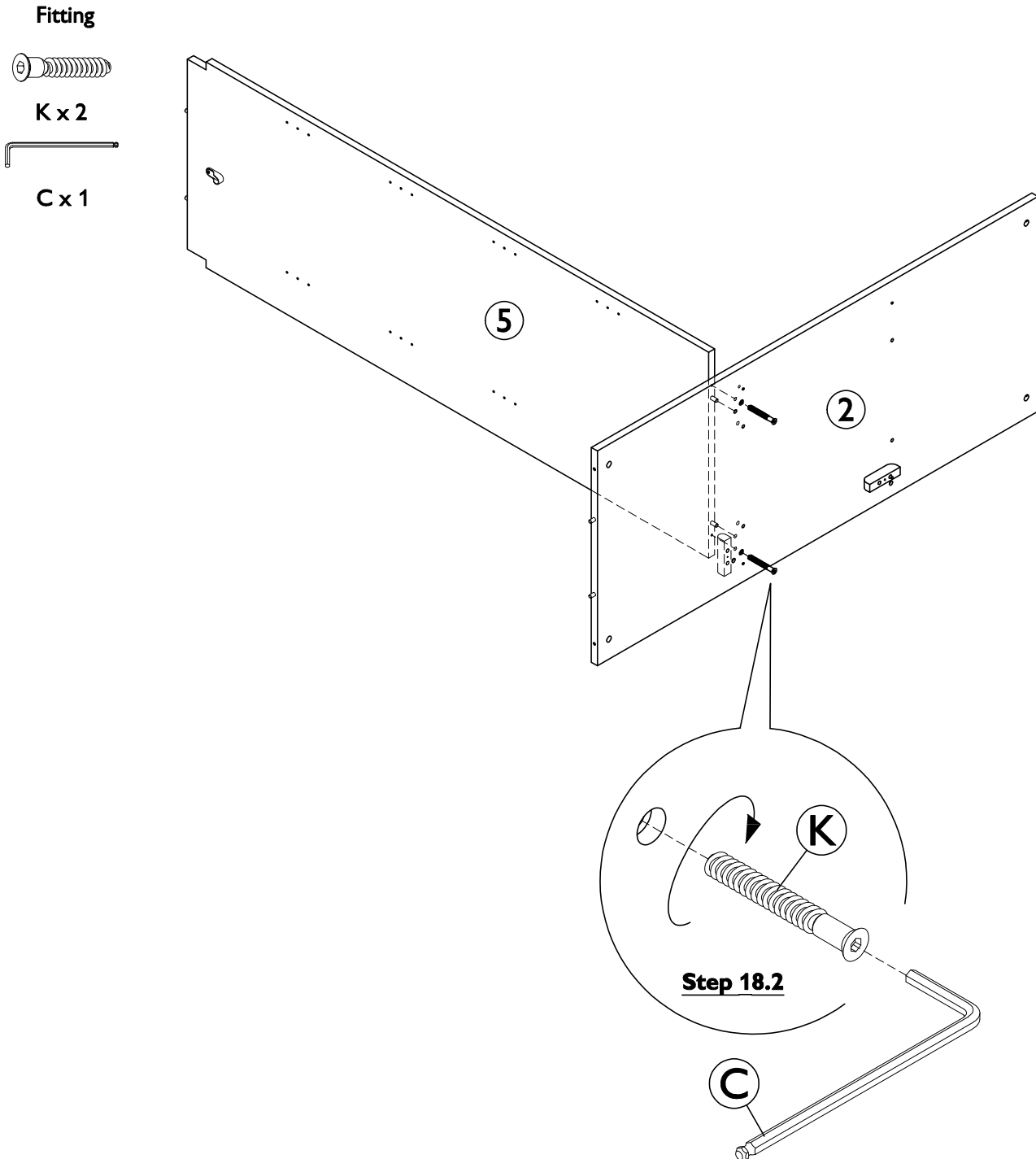


G x 4



# Step by step assembly instructions

- Step 18** 18.1 : Attach large partition (5) onto bottom panel (2) as shown. Ensure dowels (ee) are aligned correctly with the holes of mating parts before attaching.
- 18.2 : Secure part (5) to part (2) using 2x hex head bolts (K) as shown. Use allen key (C) to turn fittings (K) clockwise to fix.





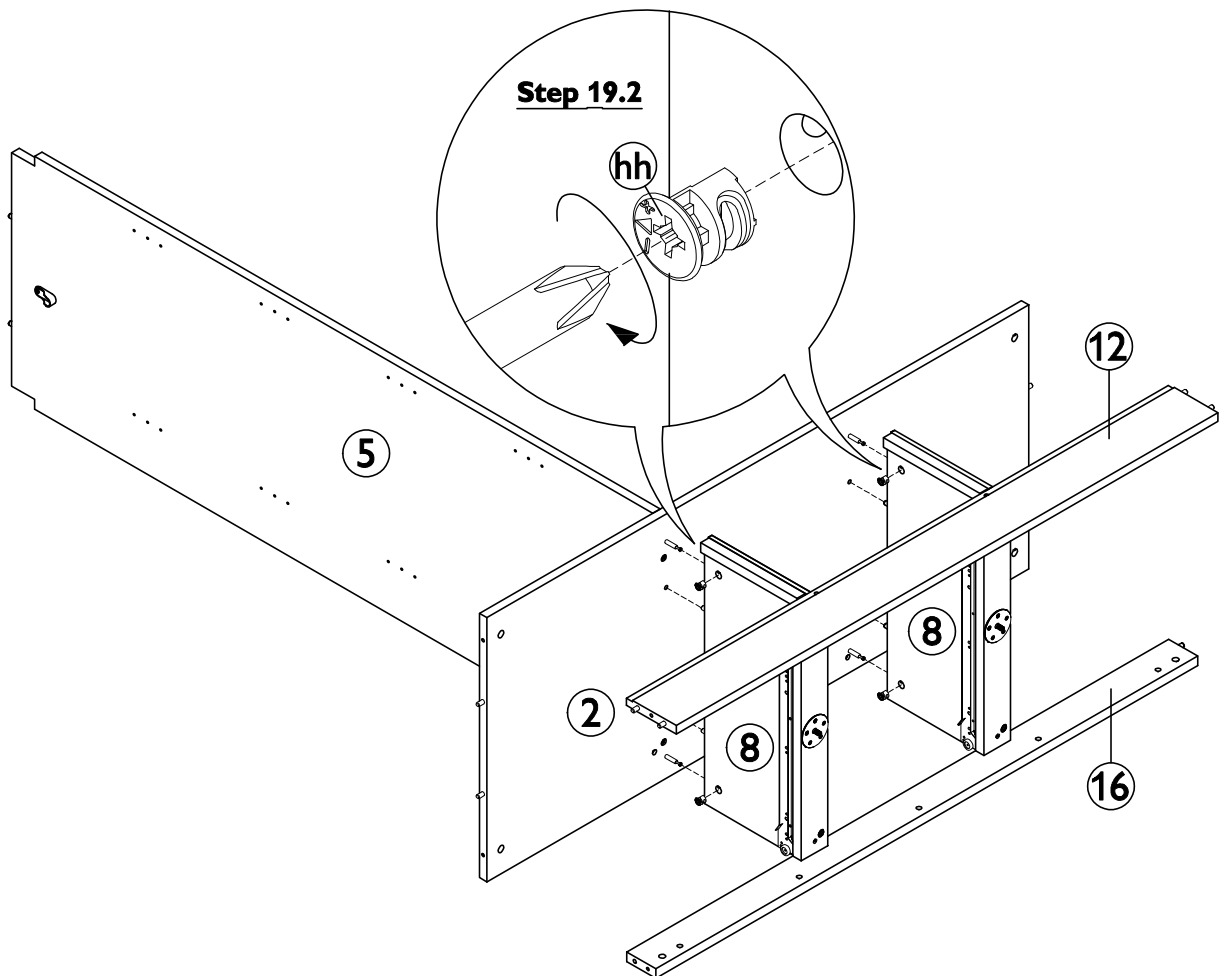
# Step by step assembly instructions

- Step 19**
- 19.1 : Attach bottom panel (2) onto small partitions (8) as shown. Ensure dowels (ee) and cam screws (F) are aligned correctly with the holes of mating parts before attaching.
- 19.2 : Secure part (2) to parts (8) using 4x cam locks (hh) as shown. Use a pozi screwdriver to turn fittings (hh) clockwise to fix.

Fitting



hh x 4



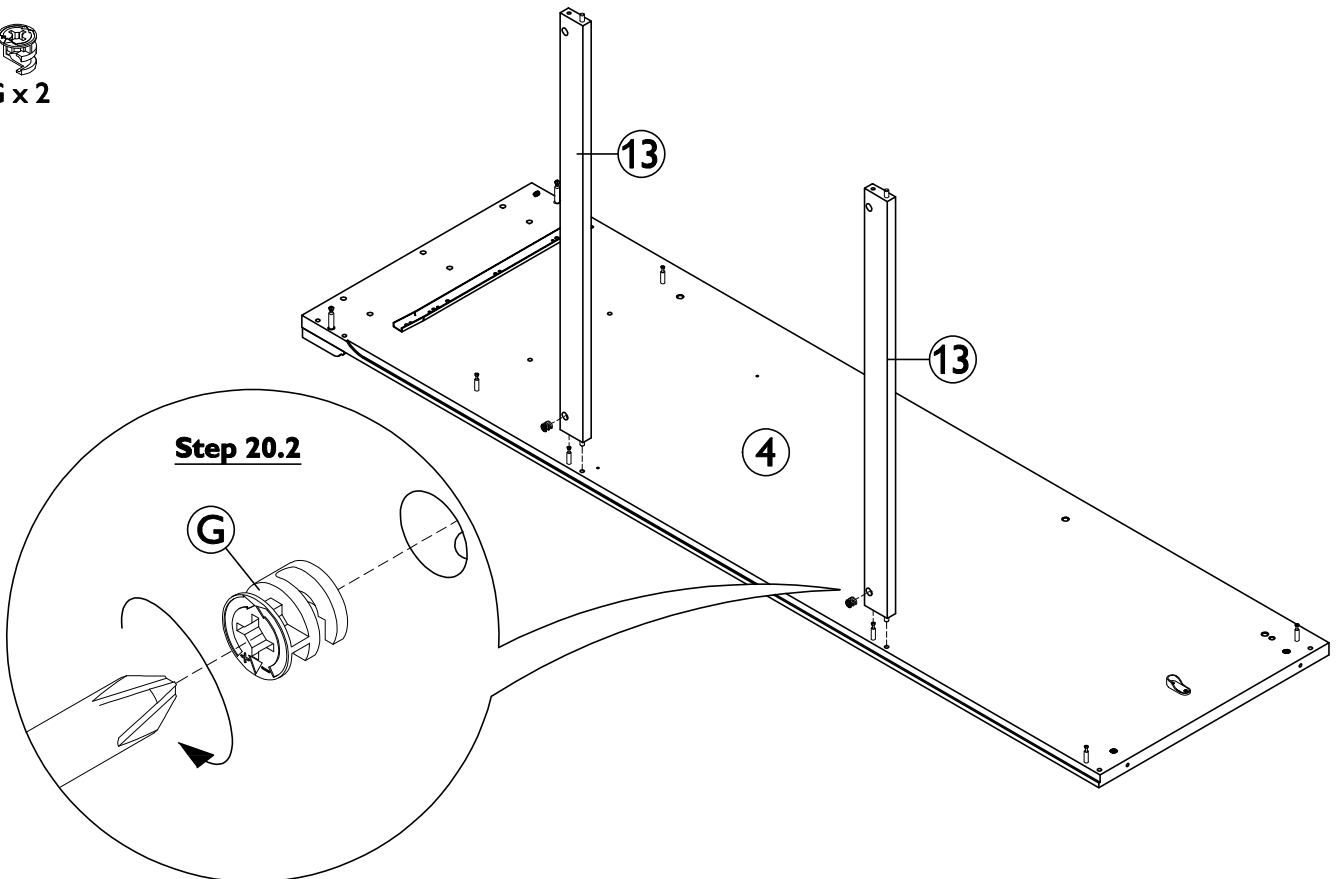
# Step by step assembly instructions

- Step 20** 20.1 : Attach center back rails (13) onto left side panel (4) as shown. Ensure dowels (E) and cam screws (F) are aligned correctly with the holes of mating parts before attaching.
- 20.2 : Secure parts (13) to part (4) using 2x cam locks (G) as shown. Use a pozi screwdriver to turn fittings (G) clockwise to fix.

Fitting



G x 2



# Step by step assembly instructions

- Step 21**
- 21.1 : With help of assistant, attach the structure assembled in **Step 20** to the structure assembled in **Step 19** as shown. Ensure dowels (E), dowels (ee), steel dowels (B) and cam screws (F) are aligned correctly with the holes of mating parts before attaching.
- 21.2 : Secure part (13) to parts (5) using 2x cam locks (G), part (4) to part (2) using 2x cam locks (hh) and parts (4) to part (12),(16) using 2x grub screws (A) as shown. Use a pozi screwdriver to turn fittings (G) and (hh), use allen key (C) to turn fittings (A) clockwise to fix.
- 21.3 : Attach top front rails (14) and top back rail (15) to left side panel (4) as shown. Ensure dowels (E) and cam screws (F) are aligned correctly with the holes of mating parts before attaching.
- 21.4 : Secure parts (14), and parts (15) to part (4) using 2x cam locks (G) as shown. Use a pozi screwdriver to turn fittings (G) clockwise to fix.

Fitting



A x 2



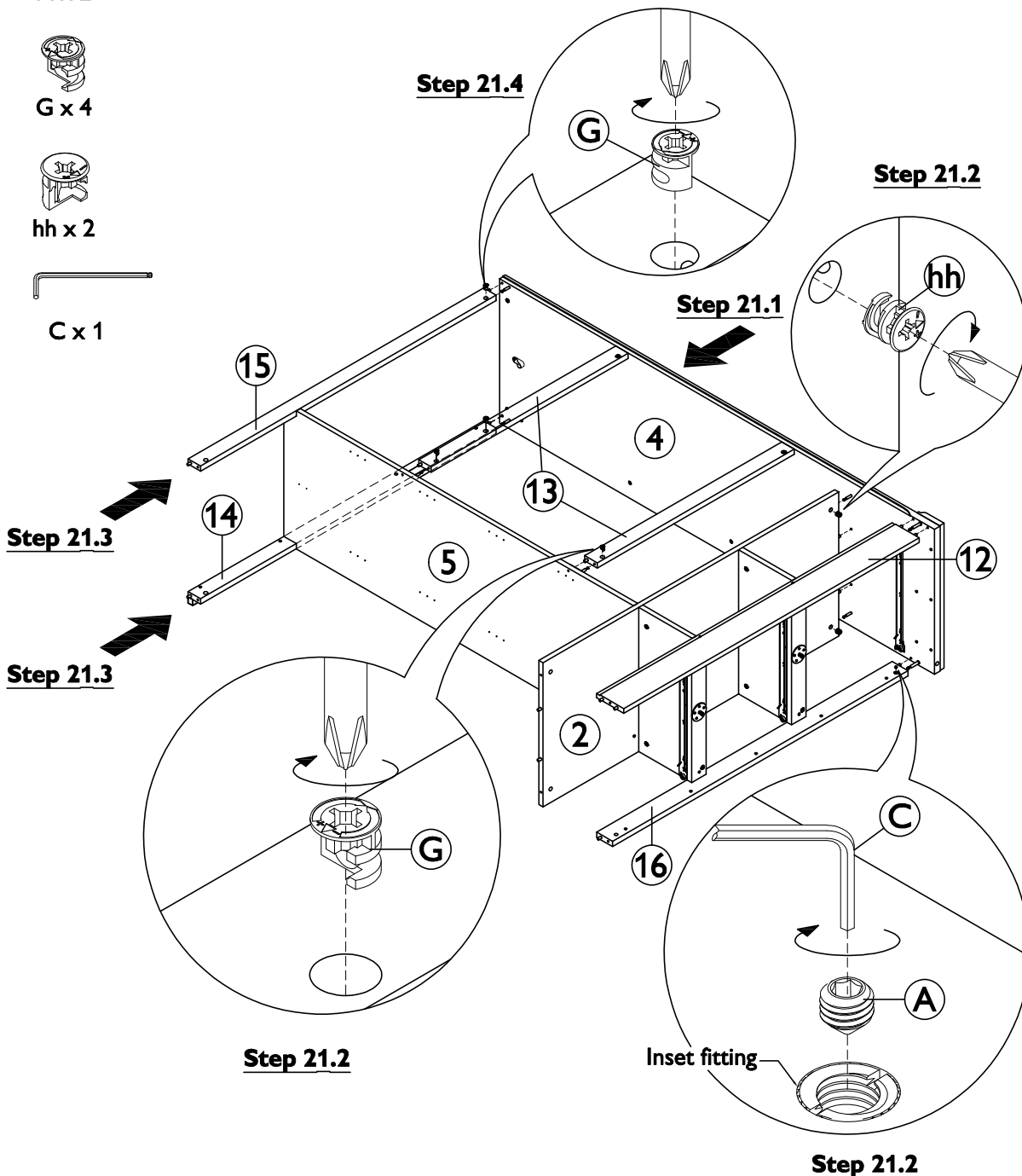
G x 4



hh x 2

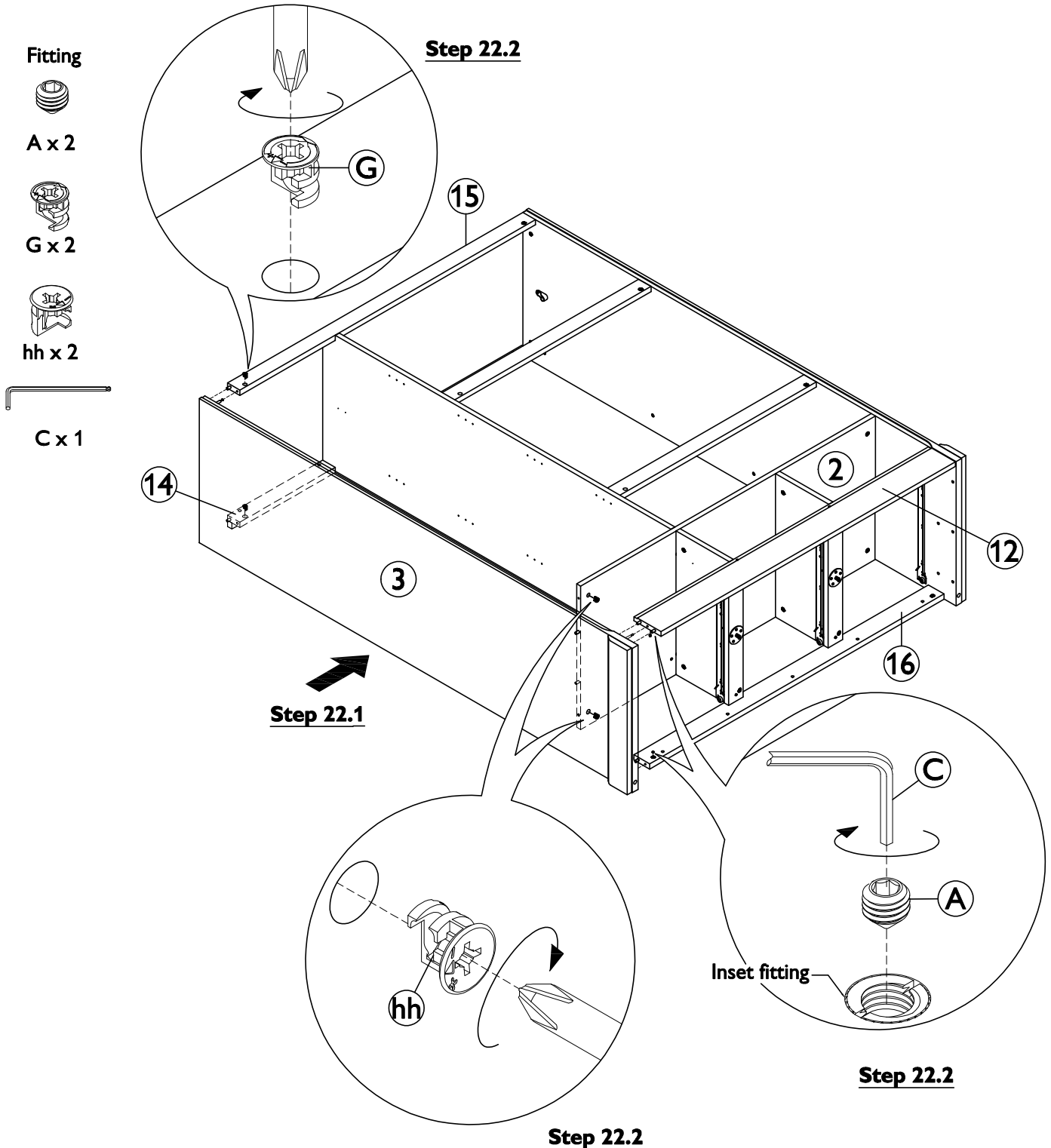


C x 1



# Step by step assembly instructions

- Step 22** 22.1 : Attach right side panel (3) to the structure assembled in **Step 21** as shown. Ensure cam screws (F), dowels (E), dowels (ee) and steel dowels (B) are aligned correctly with the holes of mating parts before attaching.
- 22.2 : Secure part (3) to parts (14), (15) using 2x cam locks (G) to parts (12), (16) using 2x grub screws (A) and to part (2) using 2x cam locks (hh) as shown. Use allen key (C) to turn fittings (A), use a pozi screwdriver to turn fittings (hh) and (G) clockwise to fix.



# Step by step assembly instructions

- Step 23**
- 23.1 : Insert 4x wooden dowels (ee) into the pre-drilled holes on parts (9), (11) and 2x wooden dowels (E) into the pre-drilled holes on parts (3), (4) as shown.
- 23.2 : Attach front moulding (10) onto rail (16) and mouldings (9), (11) as shown. Ensure cam screws (F), dowels (E) and (jj) are aligned correctly with the holes of mating parts before attaching.
- 23.3 : Secure part (10) to part (16) using 5x round head screws (X) and to parts (9), (11) using 2x cam locks (G) as shown. Use a screwdriver to turn fittings (X), and a pozi screwdriver to turn fittings (G) clockwise to fix.
- 23.4 : Screw center legs (23) onto the metal plates (T) as shown. Continue to re-tighten until they are securely fastened.

Fitting



E x 2



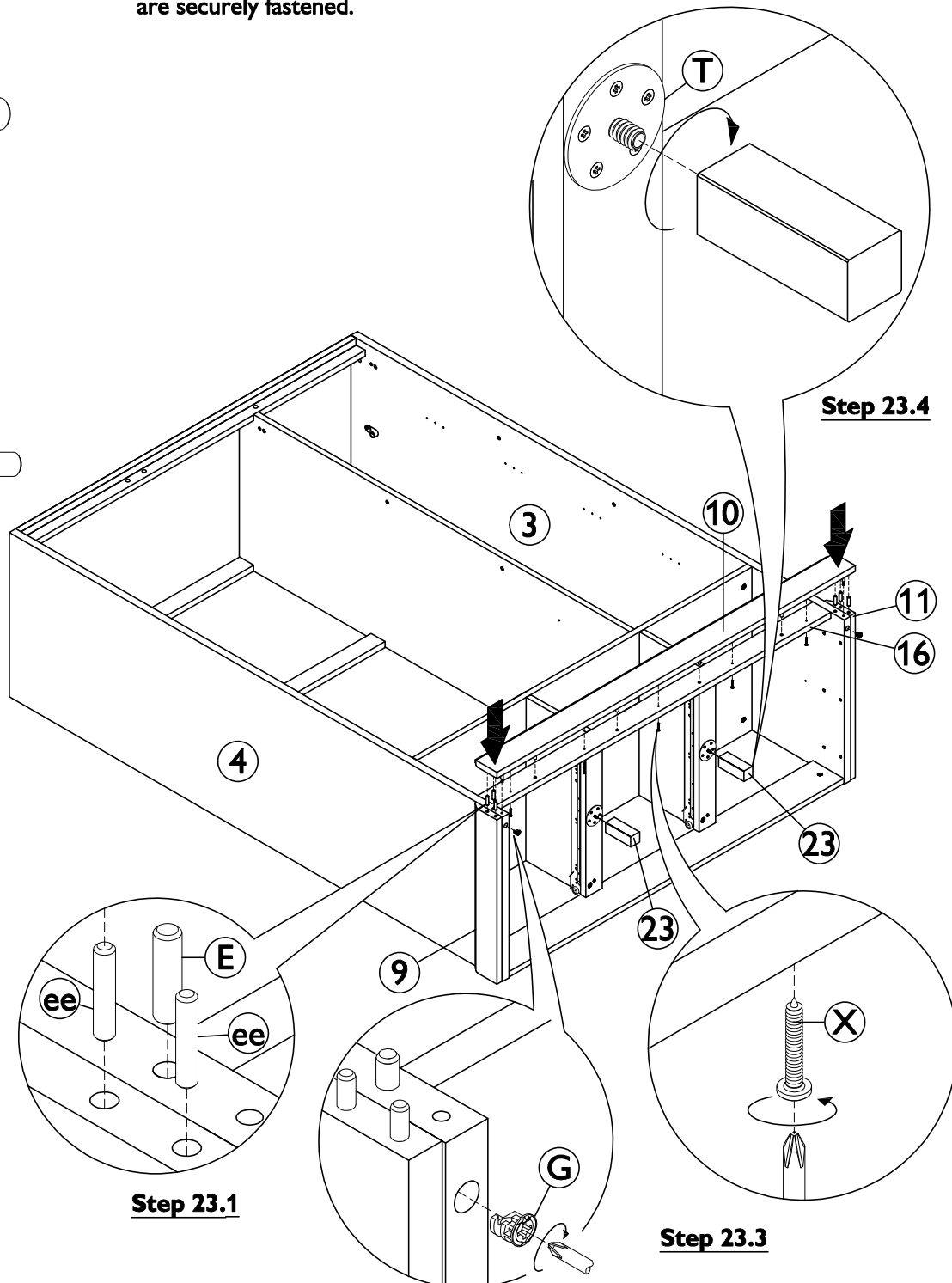
G x 2



X x 5

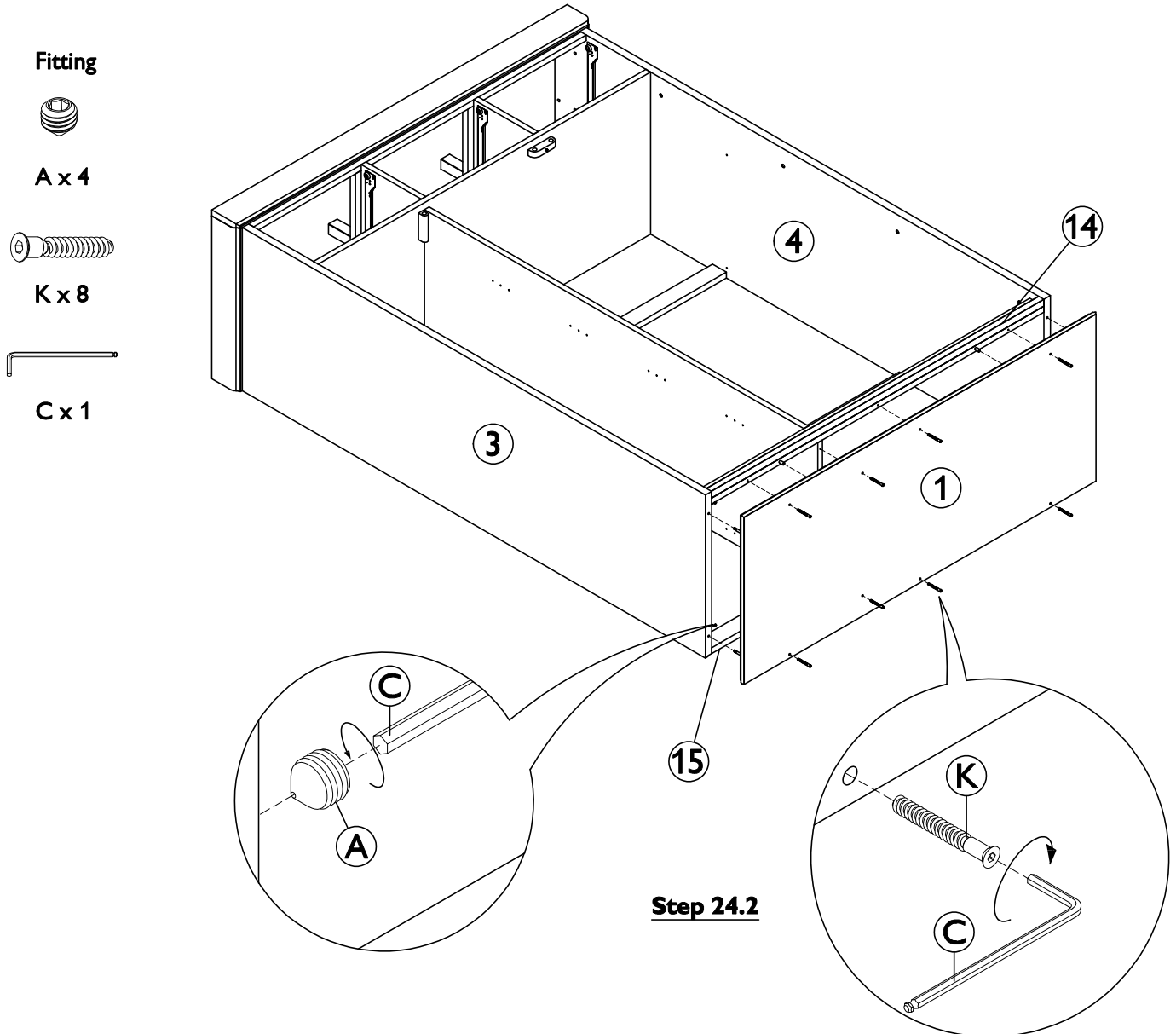


ee x 4



# Step by step assembly instructions

- Step 24**
- 24.1 : Attach top panel (1) onto rails (14), (15), large partition (5) and side panels (3), (4) as shown. Ensure steel dowels (B), dowels (ee) and dowels (E) are aligned correctly with the holes of mating parts before attaching.
- 24.2 : Secure part (1) to all parts (14), (15) and (5) using 8x hex head bolts (K) and to parts (3) & (4) using 4x grub screws (A) as shown. Use allen key (C) to turn fittings (A), (K) clockwise to fix.



# Step by step assembly instructions

## Step 25

- 25.1 : With help of assistant, carefully stand the unit upright.
- 25.2 : Attach back panels (18), (19), (20) onto back side of the unit using 36x round head screws (M) as shown. Use a screwdriver to turn fittings (M) clockwise to fix.
- 25.3 : Attach back panels (18), (19), (20) onto back side of the unit using 22x round head screws (kk) as shown. Use a screwdriver to turn fittings (kk) clockwise to fix.
- 25.4 : Secure vertical gap using 10x round head screws (kk) with 10x flat washers (V) as shown. Use a screwdriver to turn fittings (kk) clockwise to fix.

Fitting



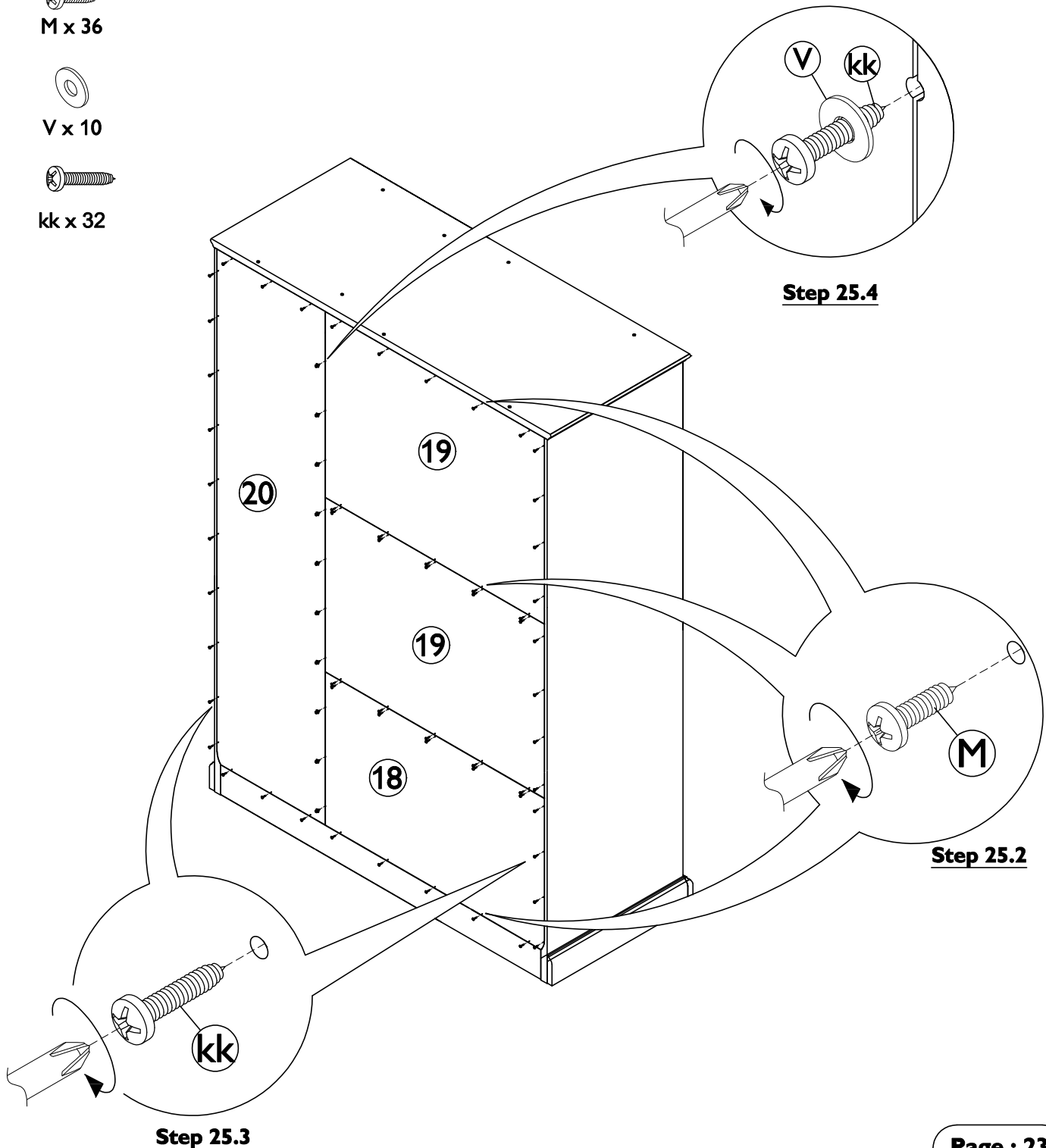
M x 36



V x 10



kk x 32



**Step 25.3**

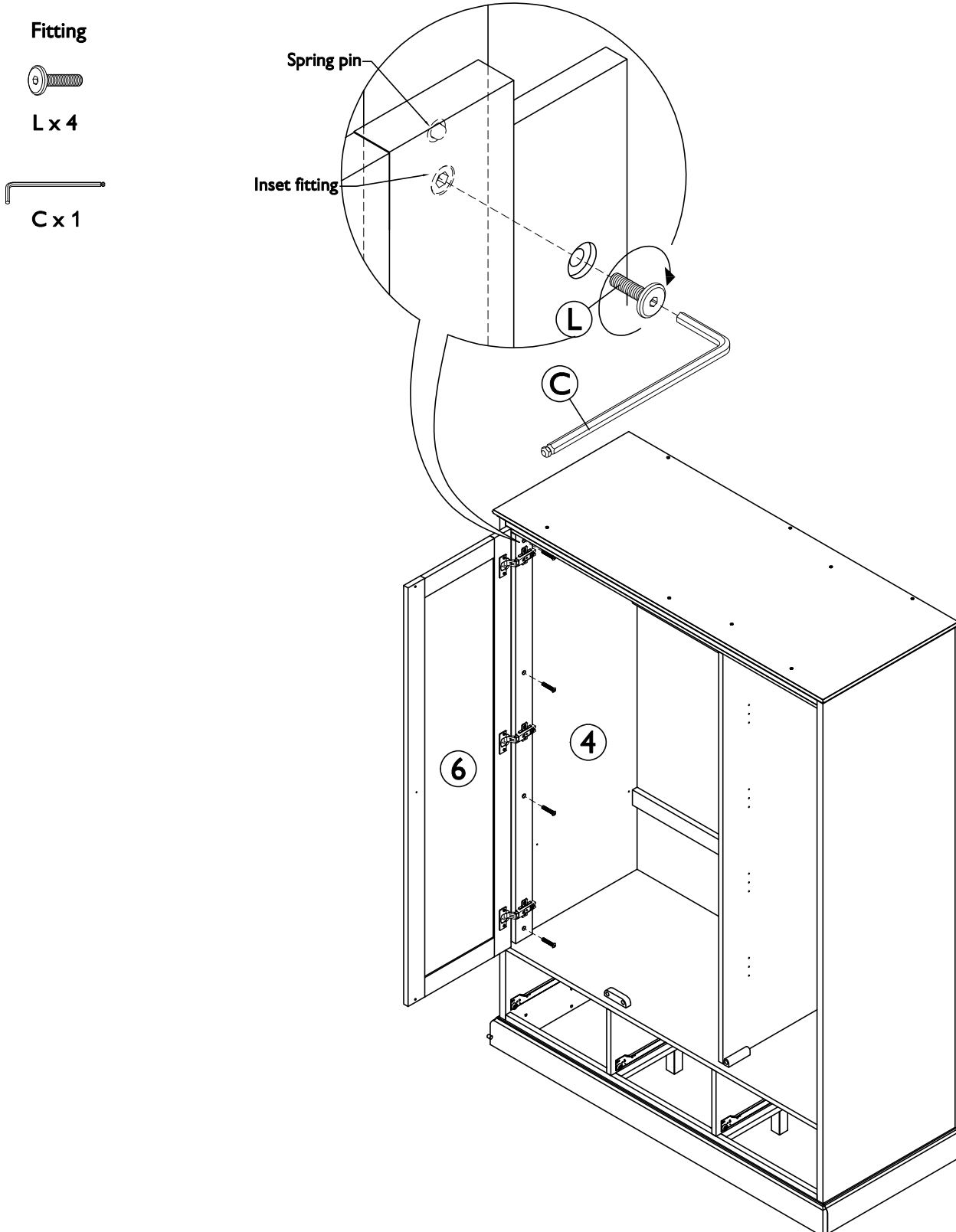
**Step 25.2**

**Step 25.4**

**Page : 23**

# Step by step assembly instructions

**Step 26** : Attach door (6) to left side panel (4) by screwing 4x bolts (L) into inset fittings that are located on part (4) as shown. Ensure the holes on door are aligned correctly with the mating spring pin on left side panel (4) before attaching. Use allen key (C) to turn fittings (L) clockwise to fix.





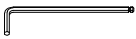
# Step by step assembly instructions

**Step 27** : Attach doors (7A), (7B) to right side panel (3) and large partition (5) by screwing 8x bolts (L) into inset fittings that are located on parts (3), (5) as shown. Ensure the holes on doors are aligned correctly with the mating spring pins on parts (3), (5) before attaching. Use allen key (C) to turn fittings (L) clockwise to fix.

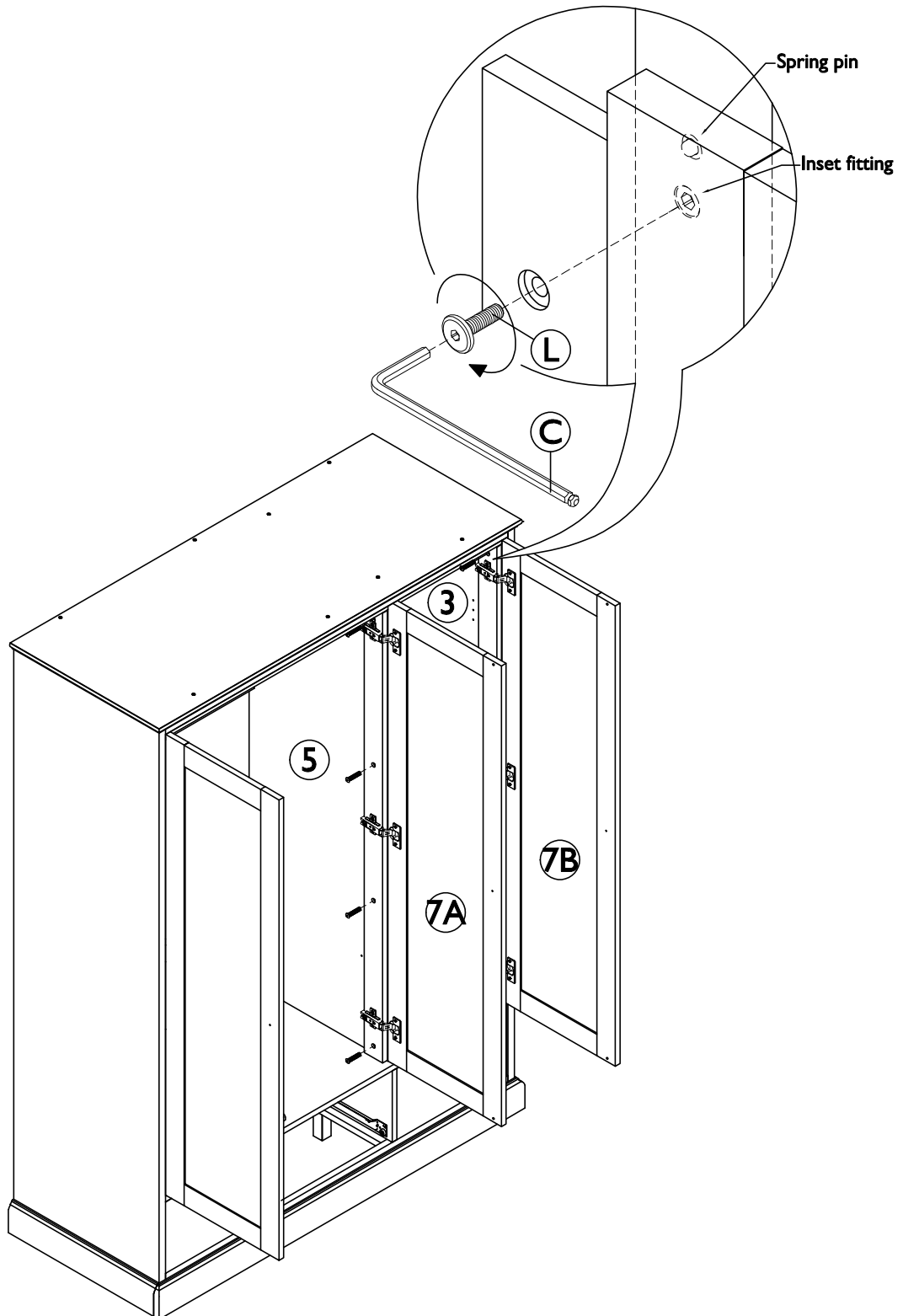
Fitting



L x 8



C x 1



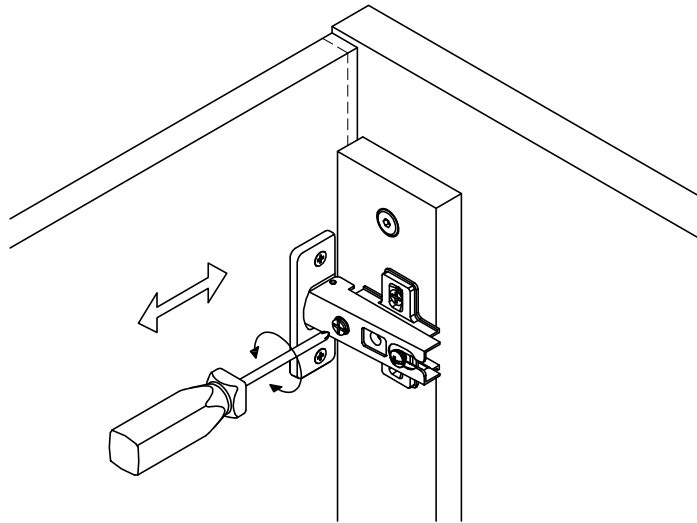
---

# HINGE ADJUSTMENT INSTRUCTIONS

---

## LATERAL ADJUSTMENT

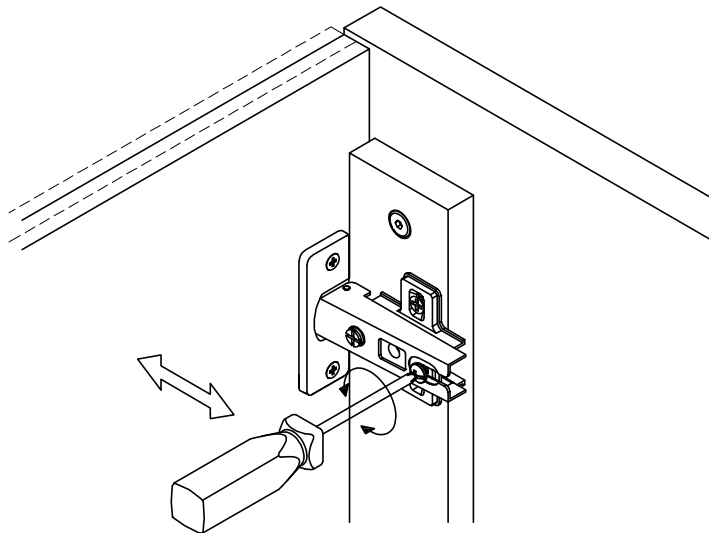
by screw adjustment.



---

## FRONT-TO-BACK

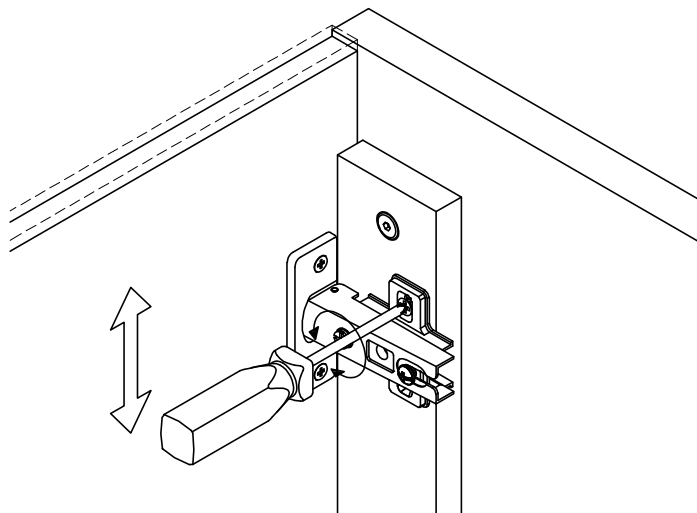
by slackening and retightening the hinge-arm mounting screw.



---

## VERTICAL ADJUSTMENT

via slots on mounting plate by slackening and retightening the screws on mounting plate



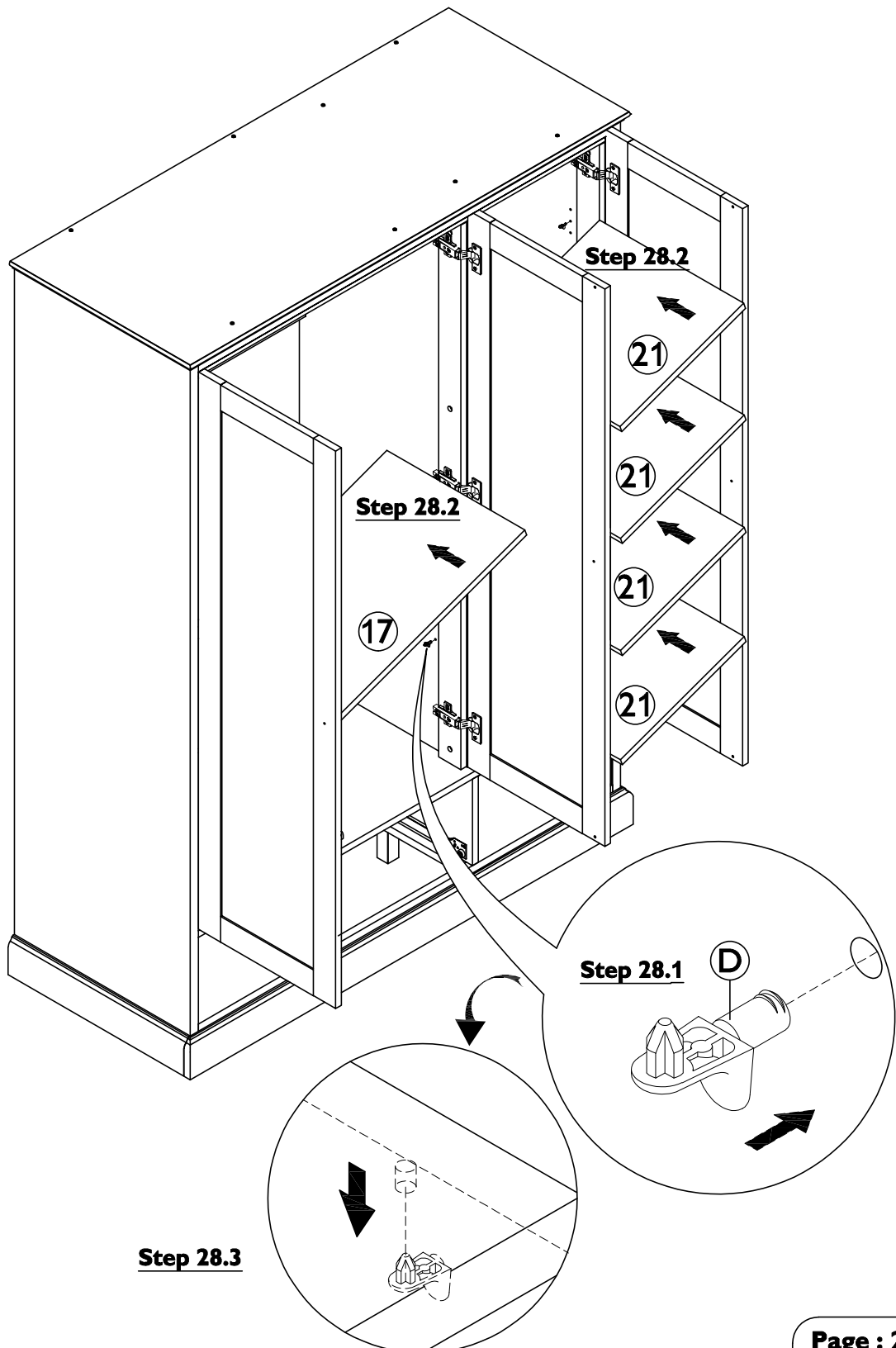
# Step by step assembly instructions

- Step 28**
- 28.1: Insert 20x wood shelf supports (D) into the pre-drilled holes on right and left side panels (3) & (4) and large partition (5) as shown.
  - 28.2: Tilt shelves (17), (21) to a suitable angle as shown in the picture so as to slide them in.
  - 28.3: Slide shelves (17), (21) into the unit. Ensure the holes on shelves are facing down, then place them onto the pins of wood shelf support (D) as shown.

Fitting



D x 20



# Step by step assembly instructions

- Step 29**
- 29.1 : Place 1x long hanger rail (P) onto hanger rail supports (H) on left side panel (4) and large partition (5) and 1x short hanger rail (Q) onto hanger rail supports (H) on right side panel (3) and large partition (5) as shown.
- 29.2 : Attach 3x handles (R) to doors (6), (7A), (7B) using 3x round head bolts (S) as shown. Use a screwdriver to turn fittings (S) clockwise to fix.

**Step 29.1**

Fitting



P x 1



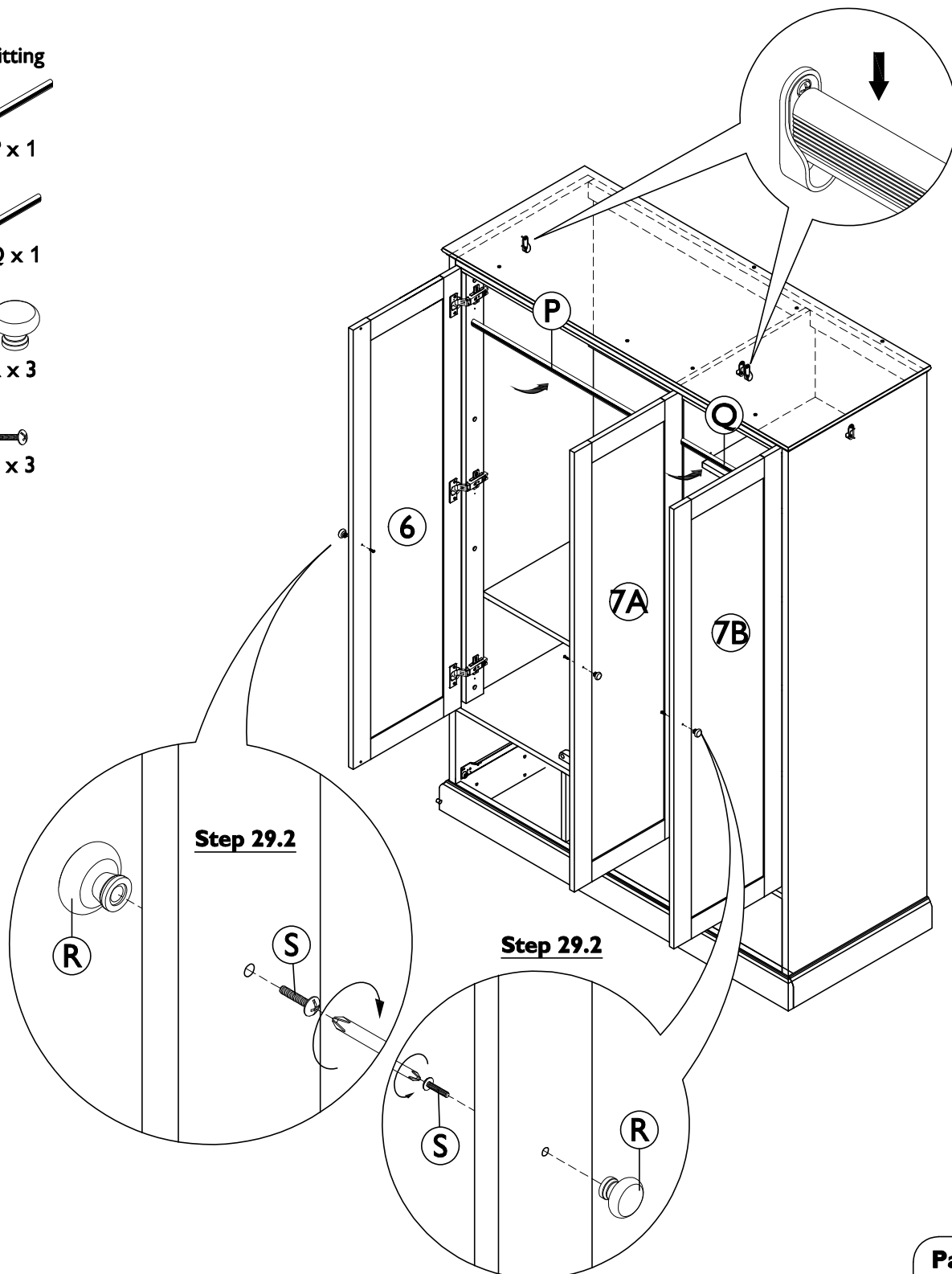
Q x 1



R x 3

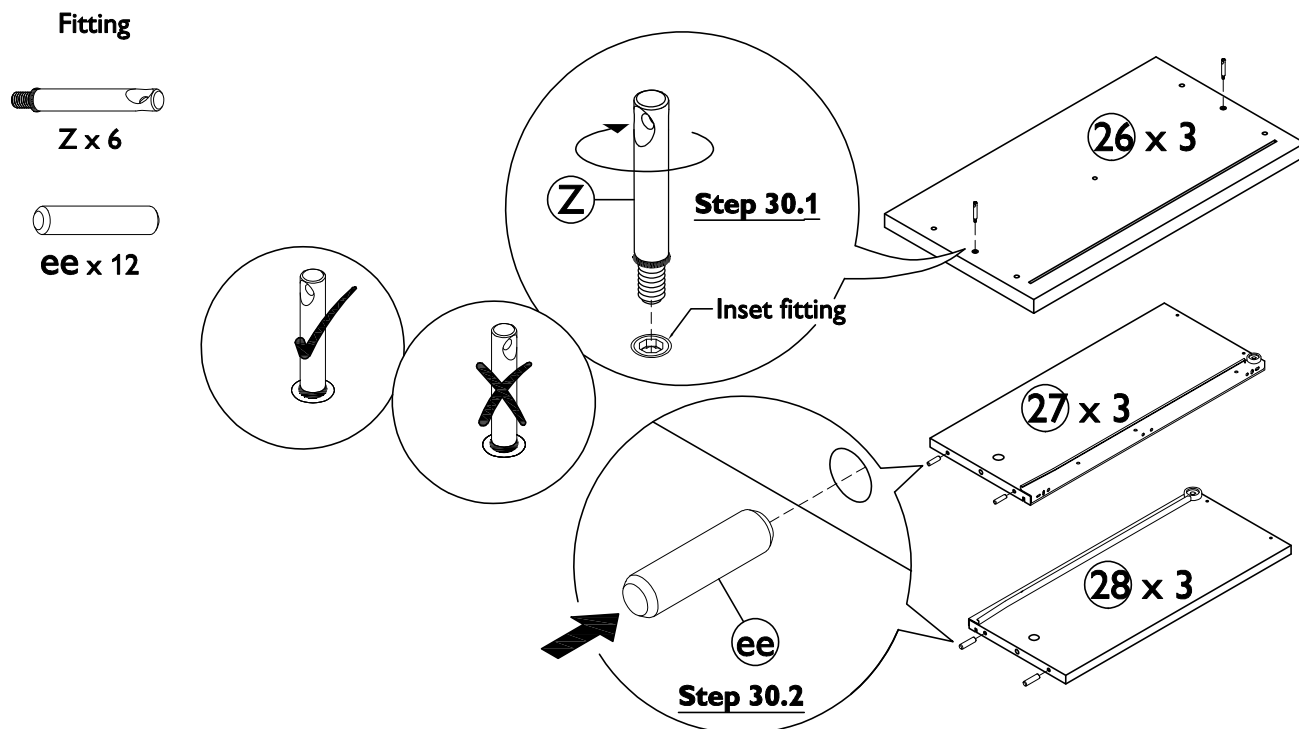


S x 3

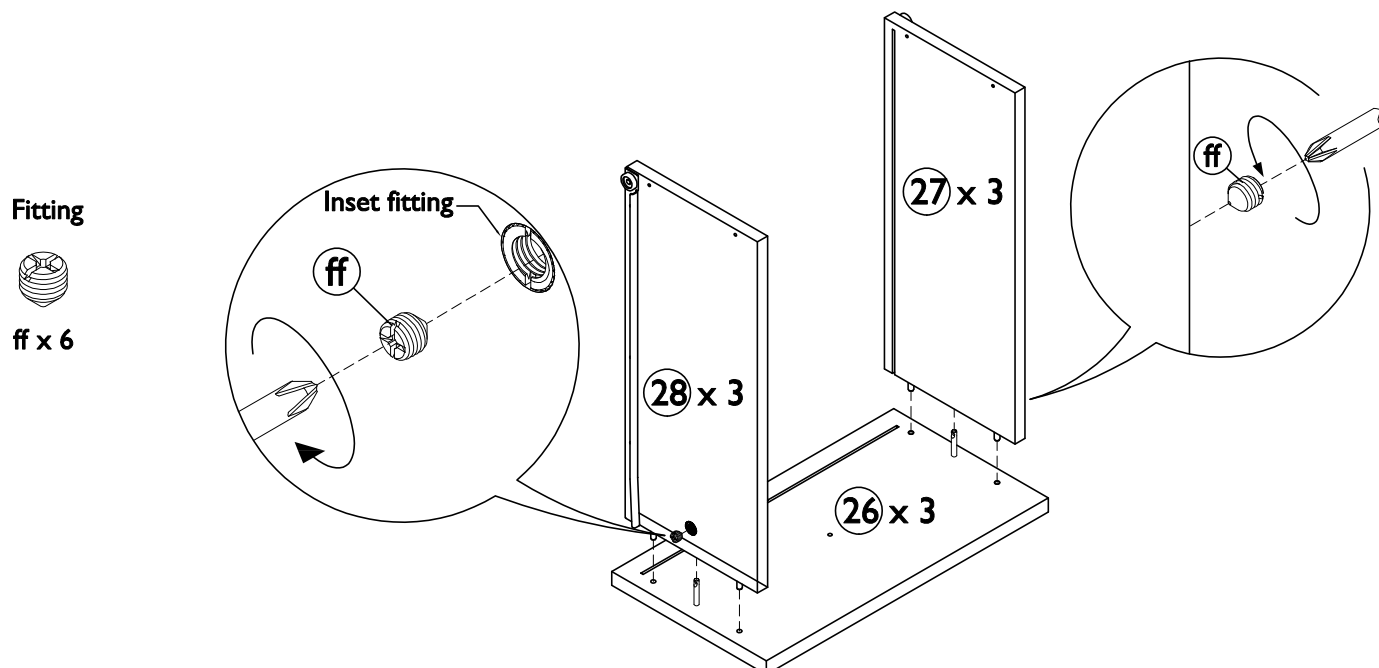


## Step by step assembly instructions

- Step 30** 30.1 : Attach 6x small steel dowels (Z) into the pre-drilled holes on drawer fronts (26) by screwing fittings (Z) into the inset fittings that are located on drawer front as shown. Ensure the direction of the holes on fittings (Z) are facing correctly as per diagram.
- 30.2 : Insert 12x dowels (ee) into the pre-drilled holes on drawer sides (27), (28) as shown.

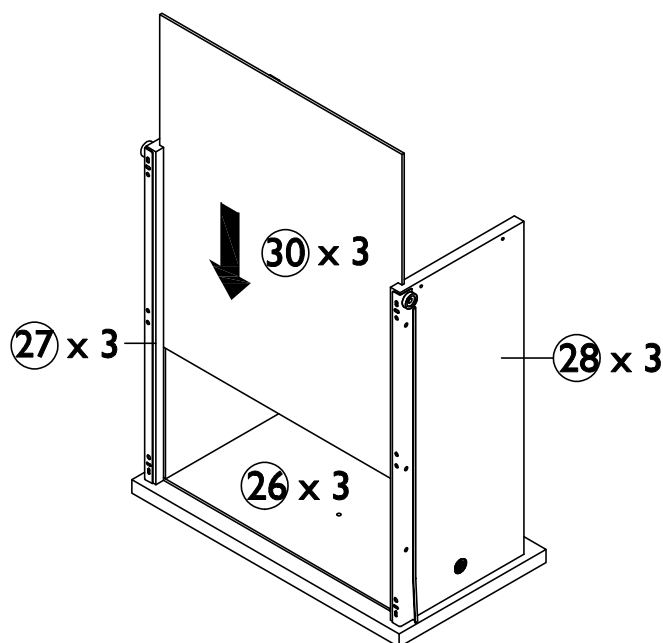


- Step 31** : Attach drawer sides (27) & (28) onto drawer fronts (26) using 6x small grub screws (ff) as shown. Ensure small steel dowels (Z) and dowels (ee) are aligned correctly with the holes of mating parts before attaching. Use a screwdriver to turn fittings (ff) clockwise to fix.



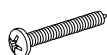
## Step by step assembly instructions

**Step 32** : Slide drawer bottoms (30) into the slots inside drawer sides (27) & (28) as shown. Ensure the drawer bottoms (30) are placed completely in the slots of drawer fronts (26).

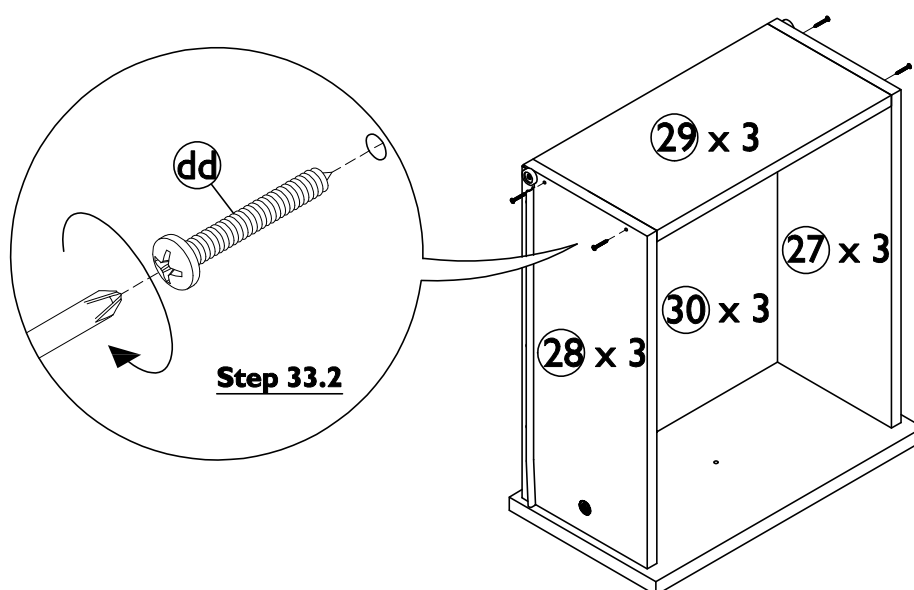


**Step 33** 33.1: Place drawer backs (29) onto the top of constructed drawer boxes. Ensure the slots under drawer backs (29) are aligned correctly with drawer bottoms (30) before attaching.  
33.2: Secure drawer backs (29) to the drawer boxes using 12x round head screws (dd) as shown. Use a screwdriver to turn fittings (dd) clockwise to fix.

Fitting



dd x 12



## Step by step assembly instructions

**Step 34** : Attach 3x handles (R) to drawer fronts (26) using 3x bolts (S) as shown. Use a screwdriver to turn fittings (S) clockwise to fix.

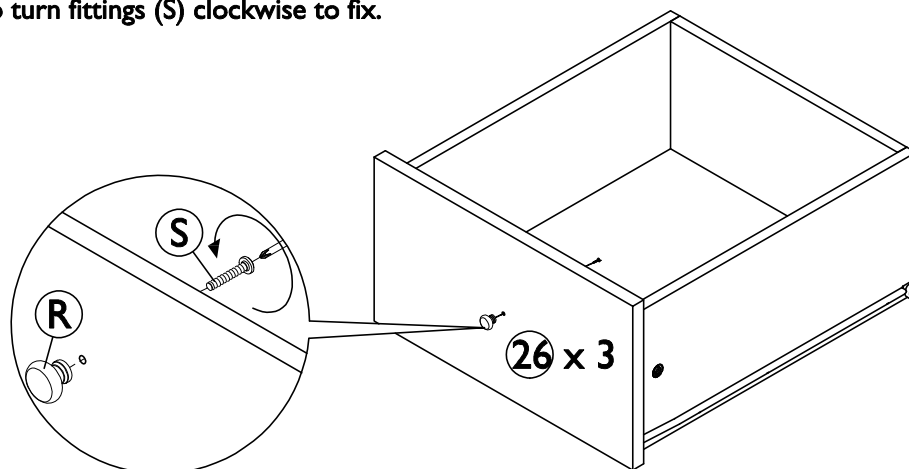
Fitting



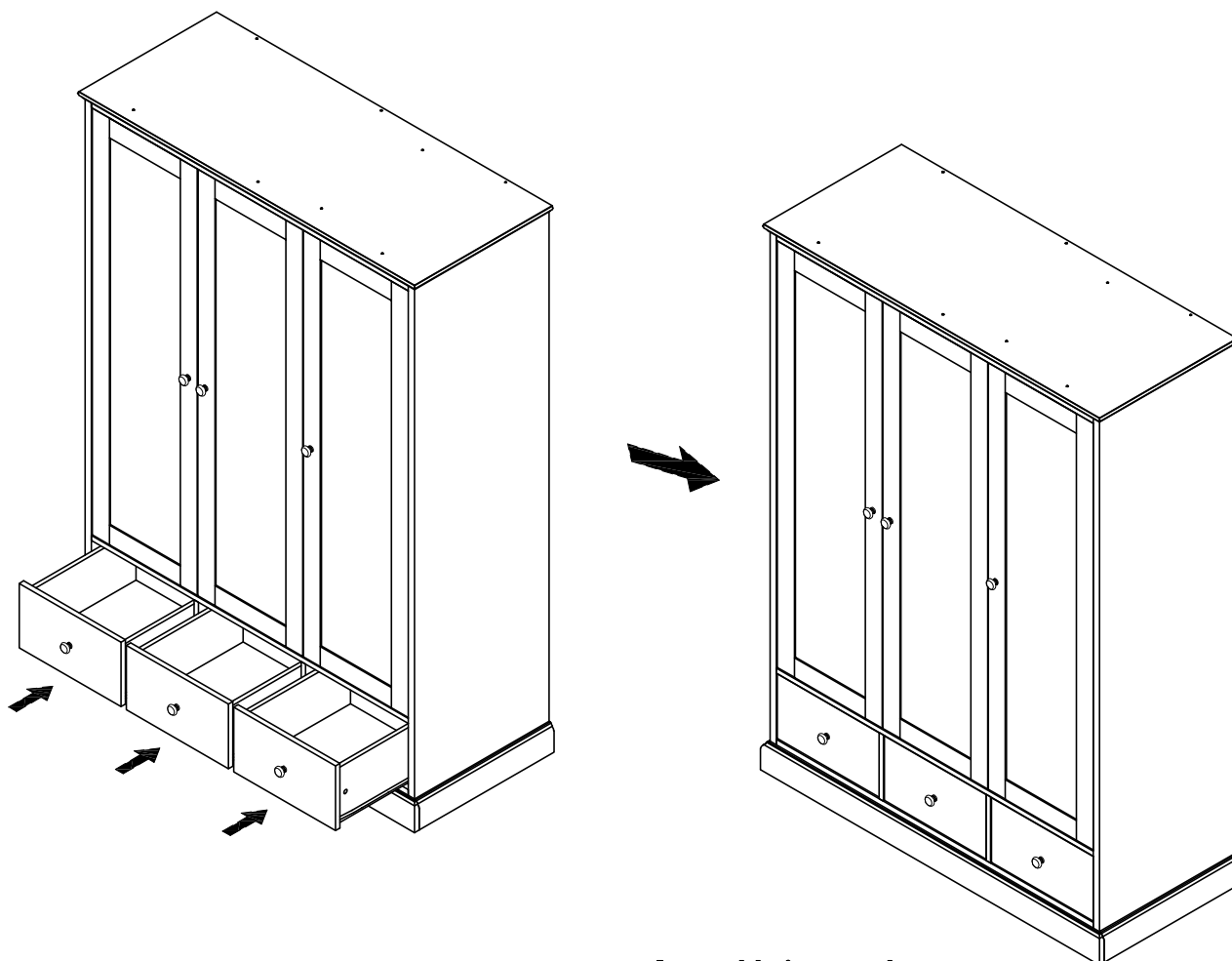
R x 3



S x 3



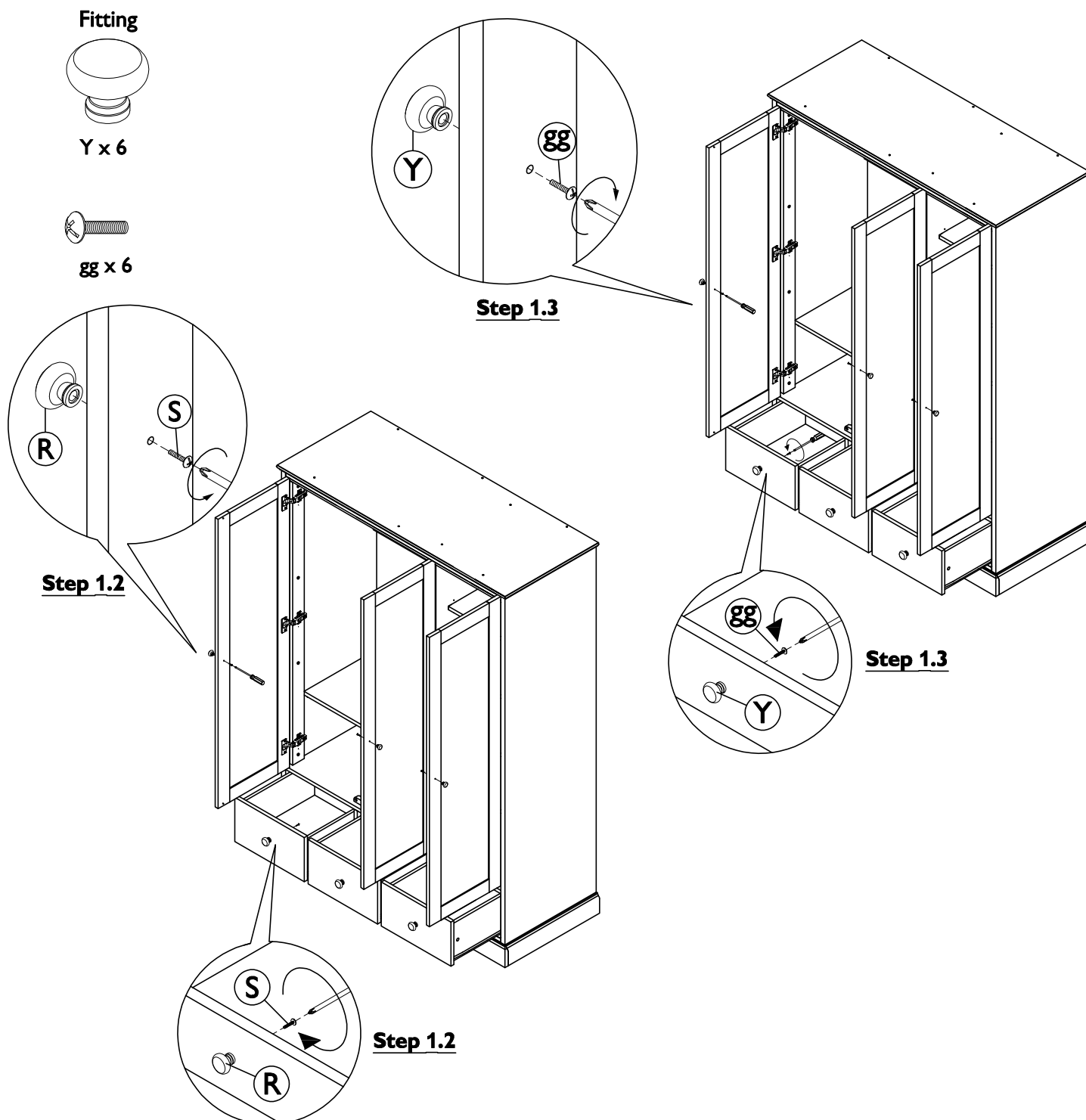
**Step 35** : Insert the assembled drawers into the unit as shown.



# Step by step assembly instructions

## Handle option:

- 1.1 : Pull out the drawers and the doors as shown.
- 1.2 : Remove the handles (R) from the front of drawer and doors by using a screwdriver to turn round head bolts (S) counterclockwise as shown.
- 1.3 : Attach 6x handles (Y) to the front of drawer and doors using 6x round head bolts (gg) as shown. Use a screwdriver to turn fittings (gg) clockwise to fix.



PLEASE KEEP THESE INSTRUCTIONS FOR FUTURE REFERENCE

Page : 32



---

# Care and Maintenance

## Wood Furniture

Wood displays different grain patterns depending on which way they are cut - for example, the 'medullary ray' which can appear on oak furniture is a mark of good quality timber - these are just characteristics of the natural beauty of the wood.

Some furniture is also deliberately aged and rustic.

Wood veneers also allow distinctive patterns to be created on some surfaces, such as table tops and drawer fronts by the way slivers are arranged.

All timber and veneer surfaces will change colour and mellow over time. New furniture will initially vary in shade from items that have been previously purchased.

## How to care for your wood furniture

Dust with a clean, damp, lint free cloth. Frequent dusting will remove abrasive build up, which can damage the finish over time.

Do not use a very wet cloth or allow any liquid to contact with the veneers for a long period of time as this can permanently damage the surface. Wipe up spills immediately.

Do not use any abrasive cleaner or harsh detergent as this can damage the surface of the furniture.

Spray polishes are best avoided as they contain silicones which may spoil the furniture's surface when building up over time.

Make sure all surfaces are protected from heat and liquids by mats and coasters.

Ensure that a mat or pad is placed under paper when you are writing on the furniture surface.

Do not place rubber, cork, vinyl or plastic materials on the wood finish as chemicals within may react with the finish if left in contact for an extended period of time.

Our furniture will endure most temperatures in the home but it is best to avoid placing furniture next to heat sources such as radiators or fires. Be particularly careful with solid wood as the lack of humidity caused by home heating can cause damage such as warping, cracking or splitting.

Excessive exposure to sunlight can cause fading of your furniture.

Avoid exposing your furniture to any liquids. All liquids should be wiped up immediately with a soft, slightly damp cloth in the direction of the wood grain. If sticky liquid residues do occur, they may be removed with a dilute solution of warm soapy water followed by a clean, damp sponge. The area should then be wiped immediately in the direction of the wood grain with a clean, soft white cloth until completely dry.

Nail polish remover, hairspray, perfume, potpourri & any other products that contains solvents can damage wood upholstery finishes.

## Safety Instructions:

Never drag furniture when moving it. Always lift it.

Periodically check all fixings to ensure none have come loose. Re-tighten when necessary.

Please take care when handling or moving the furniture as careless handling may cause damage or injury.

Furniture can be dangerous if incorrectly assembled. Assembly should be carried out by a competent person.

No liability will be accepted for damage or injury caused by incorrectly installed or assembled furniture.

## Heavy item warning:

It is recommended to seek assistance when moving a heavy object. Take care when lifting to avoid personal injury and (or) damage to the product.

It is recommended that before moving a heavy object to a new location it is completely dis-assembled to avoid personal injury or damage to the furniture. Please be careful to retain all fittings when doing this.

**PLEASE KEEP THESE INSTRUCTIONS FOR FUTURE REFERENCE**

**Page : 33**