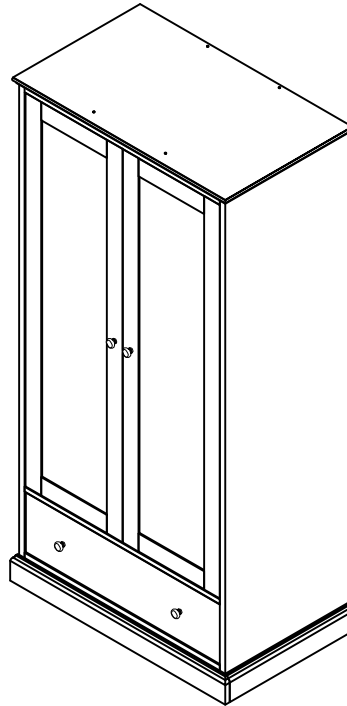


DOUBLE WARDROBE

Stock number: 790X-82

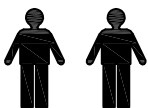
Thank you for purchasing this product. Please read the instructions carefully before use to ensure safe and satisfactory operation of this product.



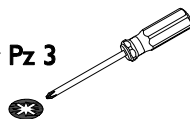
Pre-assembly preparation

Please ensure instructions are read in full before attempting to assemble this product.

Necessary Tools : Pozi screwdriver and Phillips screwdriver



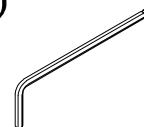
Pz 2 or Pz 3



Ph 2



(Included)



Please check the pack contents before attempting to assemble this product. A full checklist of components is given in this leaflet. If any components are missing, please contact the retailer from whom you bought this product.

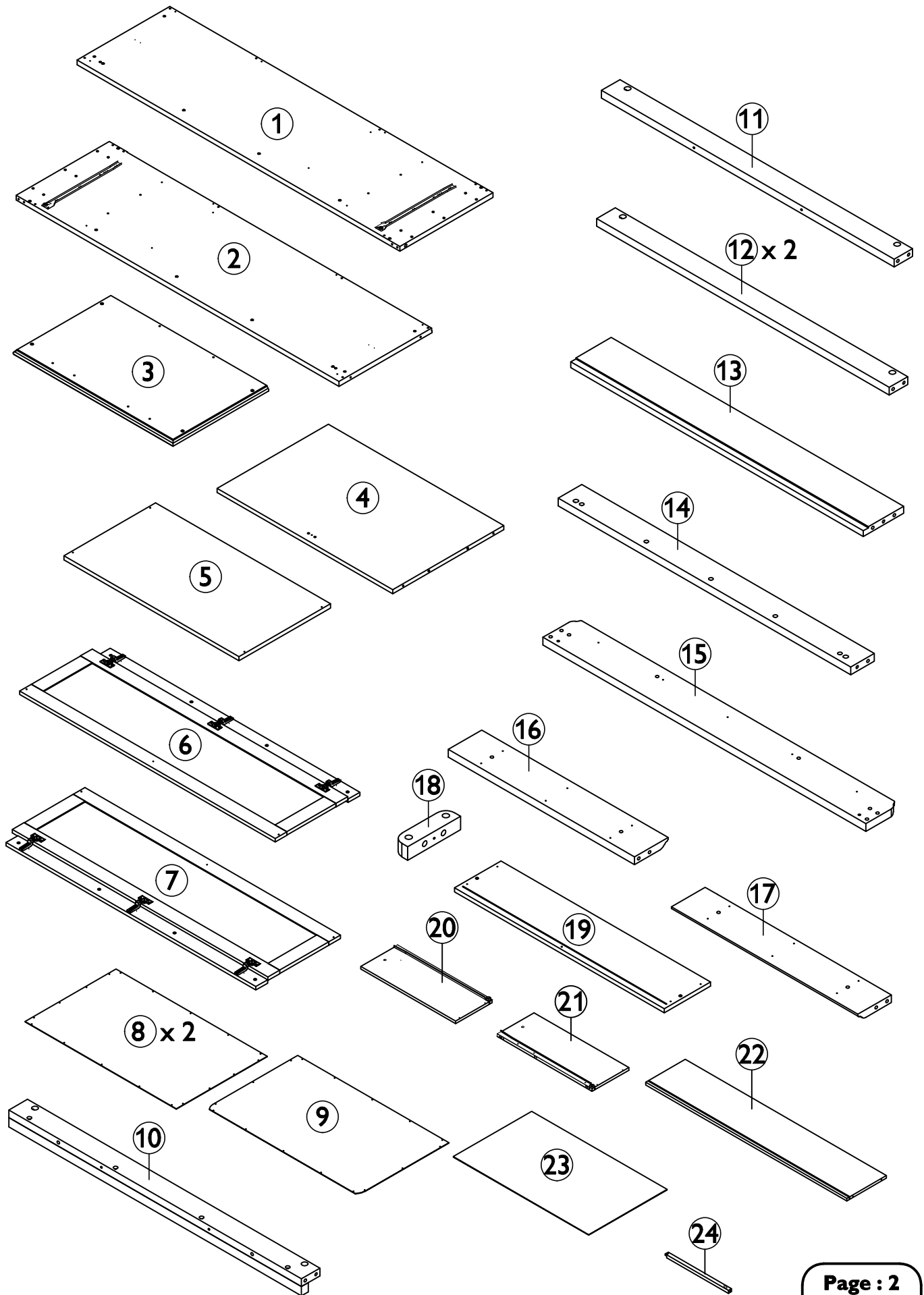
This product is **HEAVY**, it should be assembled as near as possible to the point of use. **TAKE CARE WHEN LIFTING** to avoid personal injury and (or) damage to the product.

This product takes approximately **60 MINUTES** to assemble with **2 PEOPLE**.

The fittings pack contains **SMALL ITEMS** which should be **KEPT AWAY FROM YOUNG CHILDREN**.

Read this leaflet in full before commencing assembly.

IMPORTANT: Retain these instructions for future reference.



Parts checklist

Item	Description	Qty.	Item	Description	Qty.
1	Left side panel	x 1	13	Bottom back rail	x 1
2	Right side panel	x 1	14	Bottom front rail	x 1
3	Top panel	x 1	15	Front moulding	x 1
4	Bottom panel	x 1	16	Right moulding	x 1
5	Shelf	x 1	17	Left moulding	x 1
6	Left door	x 1	18	Door stopper	x 1
7	Right door	x 1	19	Drawer front	x 1
8	Back panel	x 2	20	Left drawer side	x 1
9	Back panel	x 1	21	Right drawer side	x 1
10	Top front rail	x 1	22	Drawer back	x 1
11	Top back rail	x 1	23	Drawer bottom	x 1
12	Center back rail	x 2	24	Support drawer	x 1

Fittings checklist

Item	Description	Qty.	Item	Description	Qty.
A	Cam lock Ø15x13.5mm	x 10	P	Hanger rail	x 1
B	Cam screw Ø7x44.5mm	x 14	Q	Wood shelf support	x 4
C	Grub screw M8x8mm	x 8	R	Handle	x 4
D	Steel dowel Ø7x52mm	x 8	S	Round head bolt M4x28mm	x 4
E	Allen key M4x30x110	x 1	U	Small steel dowel Ø5.5x45mm	x 2
F	Hex head bolt M6x25mm	x 8	V	Grub screw M7x7.5mm	x 2
G	Wooden dowel Ø8x30mm	x 16	X	Round head screw Ø4x18mm	x 1
H	Hanger rail support	x 2	Y	Round head screw Ø4x40mm	x 4
J	Varianta screw Ø4.2x10.5mm	x 4	Z	Handle (Option)	x 4
K	Round head screw Ø4x30mm	x 12	dd	Wooden dowel Ø6x30mm	x 16
L	Round head screw Ø4x25mm	x 7	ee	Round head bolt M4x30mm	x 4
M	Hex head bolt Ø7x50mm	x 4	ff	Cam lock	x 4
N	Round head screw Ø3.5x15mm	x 52	gg	Wooden dowel Ø8x25mm	x 6

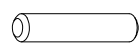
Step by step assembly instructions

Step 1 : Insert 4x wooden dowels (dd) into the pre-drilled holes on bottom panel (4) and 2x dowels (G) into the door stopper (18) as shown.

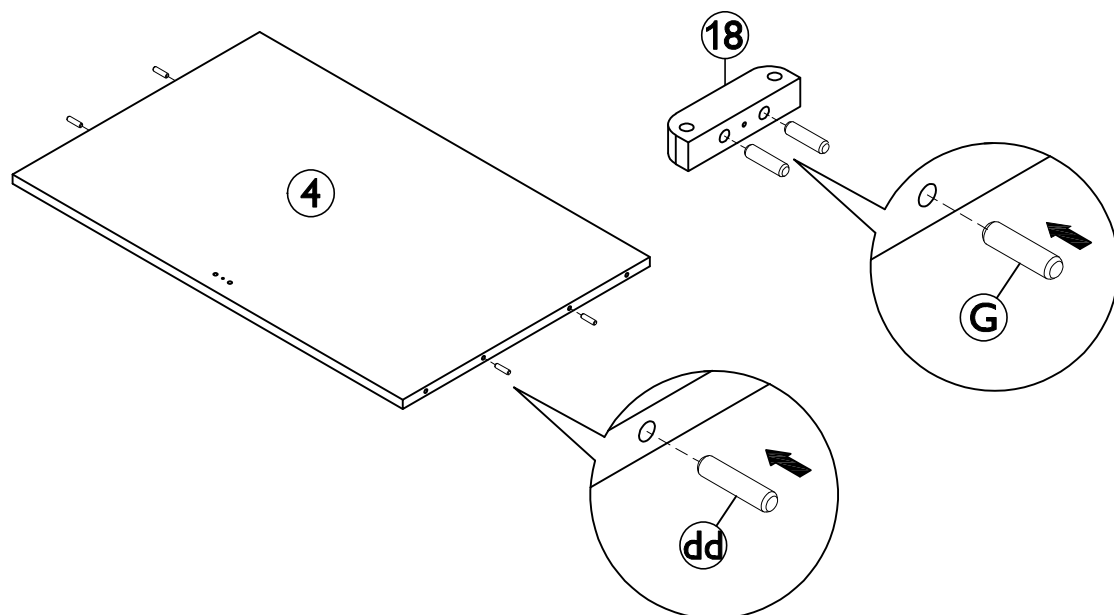
Fitting



G x 2



dd x 4

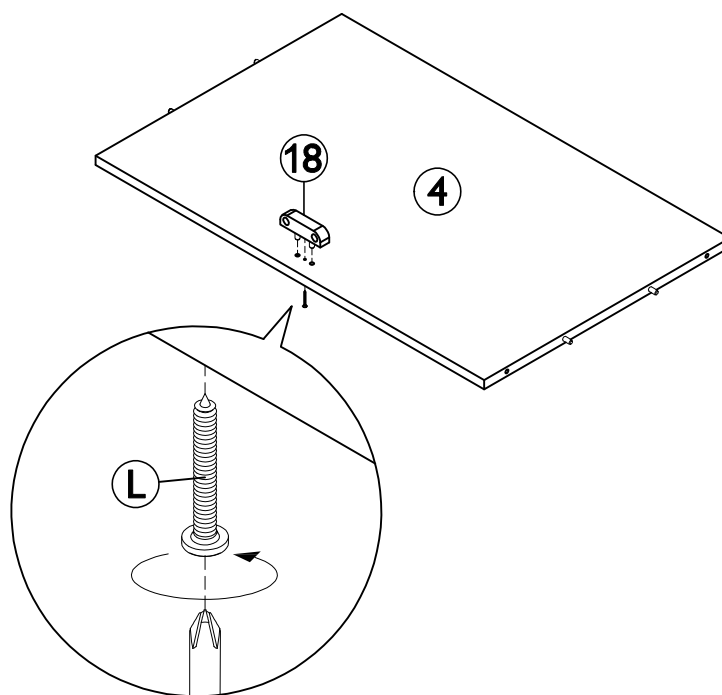


Step 2 : Attach door stopper (18) onto bottom panel (4) using 1x round head screw (L) as shown. Use a screwdriver to turn fitting (L) clockwise to fix.

Fitting



L x 1



Step by step assembly instructions

Step 3 : Insert 12x wooden dowels (G) , 2x wooden dowels (gg) into the pre-drilled holes on rails (10), (11), (12), (14) and 4x wooden dowels (dd) into the pre-drilled holes on rails (13) as shown.

Fitting



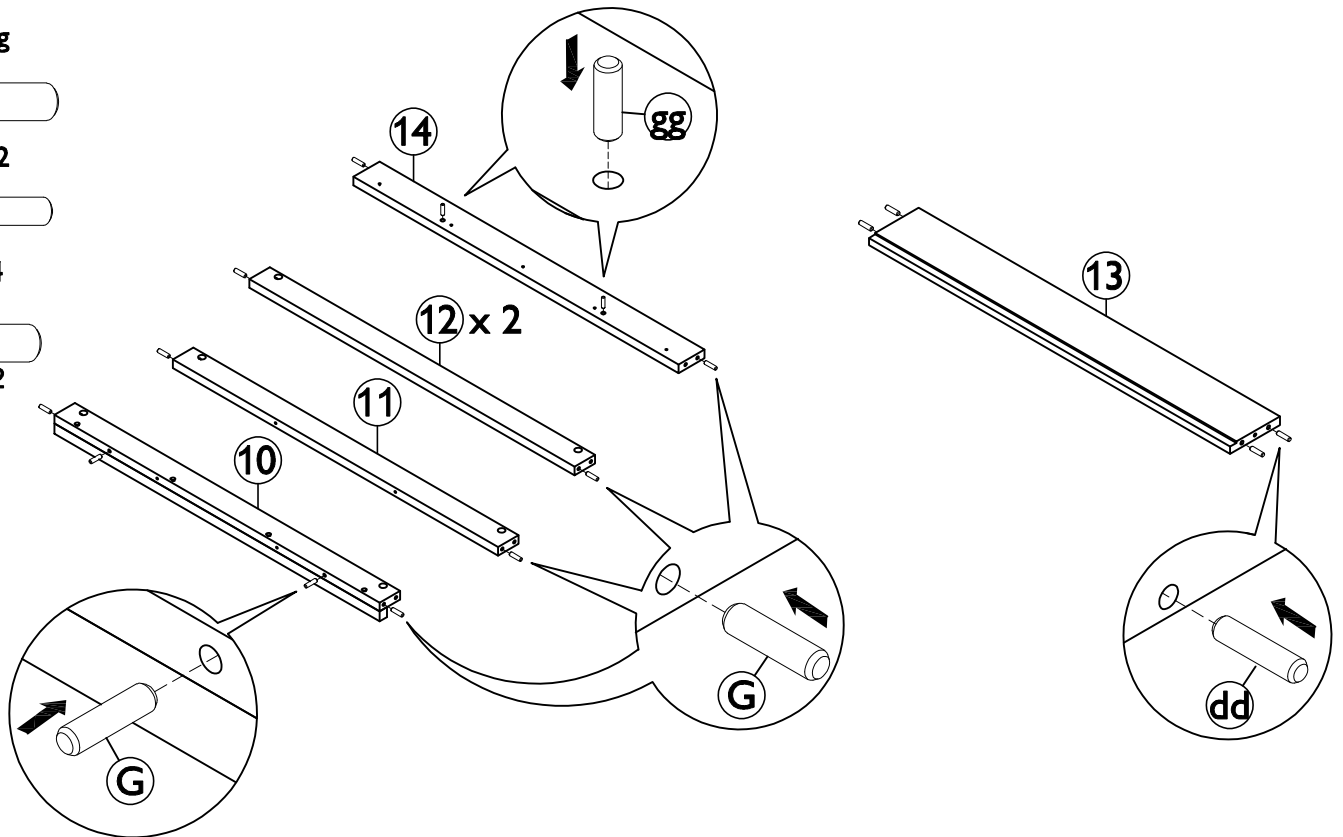
G x 12



dd x 4

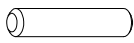


gg x 2



Step 4 : Insert 4x wooden dowels (dd) & 4x wooden dowels (gg) into the pre-drilled holes on mouldings (16), (17) as shown.

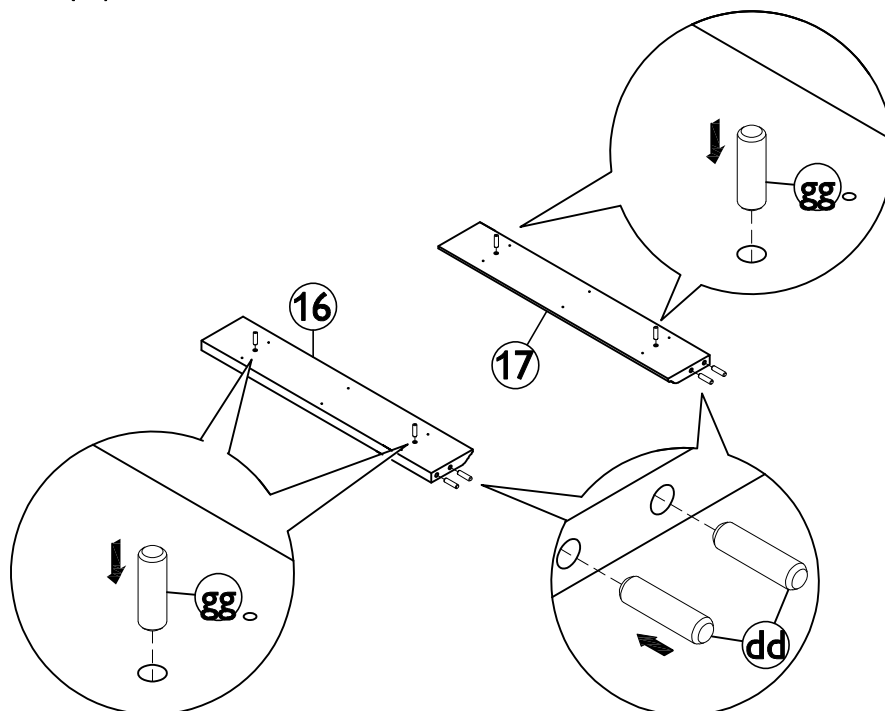
Fitting



dd x 4



gg x 4



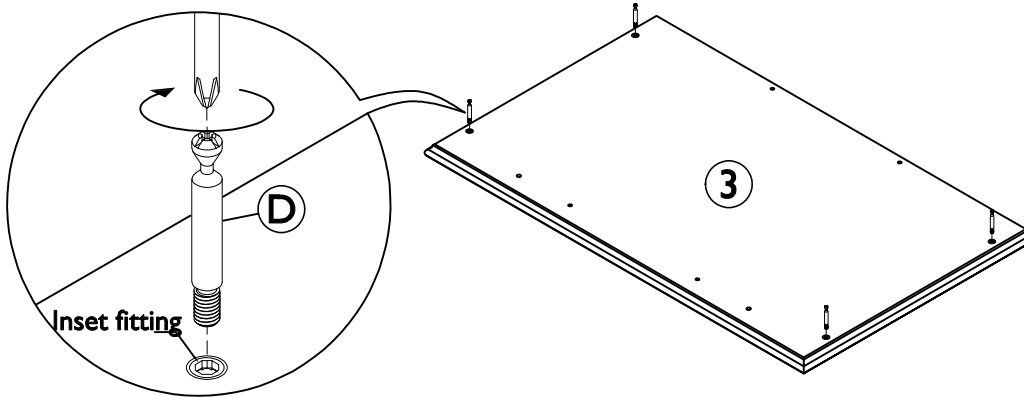
Step by step assembly instructions

Step 5 : Attach 4x steel dowels (D) into top panel (3) by screwing fittings (D) into the inset fittings that are located on part (3) as shown. Use a pozi screwdriver to turn fittings (D) clockwise to fix.

Fitting

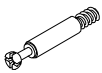


D x 4

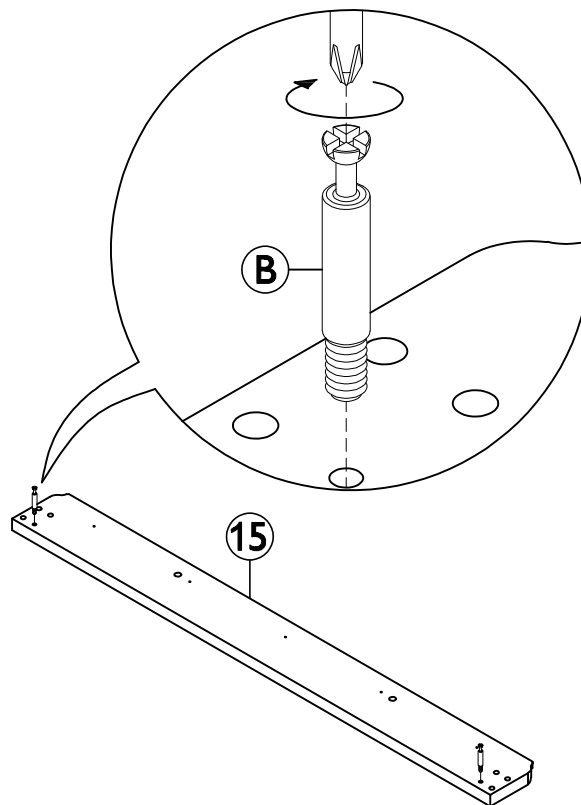


Step 6 : Attach 2x cam screws (B) into the pre-drilled holes on front moulding (15) as shown. Use a pozi screwdriver to turn fittings (B) clockwise to fix.

Fitting



B x 2

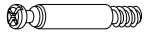


Step by step assembly instructions

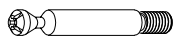
Step 7

- 7.1: Attach 1x hanger rail support (H) onto left side panel (1) using 2x varianta screws (J) as shown. Use a screwdriver to turn fittings (J) clockwise to fix.
- 7.2: Attach 6x cam screws (B) into the pre-drilled holes on left side panel (1) as shown. Use a pozi screwdriver to turn fittings (B) clockwise to fix.
- 7.3: Insert 1x wooden dowel (G) into the pre-drilled hole on left side panel (1) as shown.
- 7.4: Attach 2x steel dowels (D) into left side panel (1) by screwing fittings (D) into the inset fittings that are located on part (1) as shown. Use a pozi screwdriver to turn fittings (D) clockwise to fix.

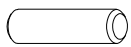
Fitting



B x 6



D x 2



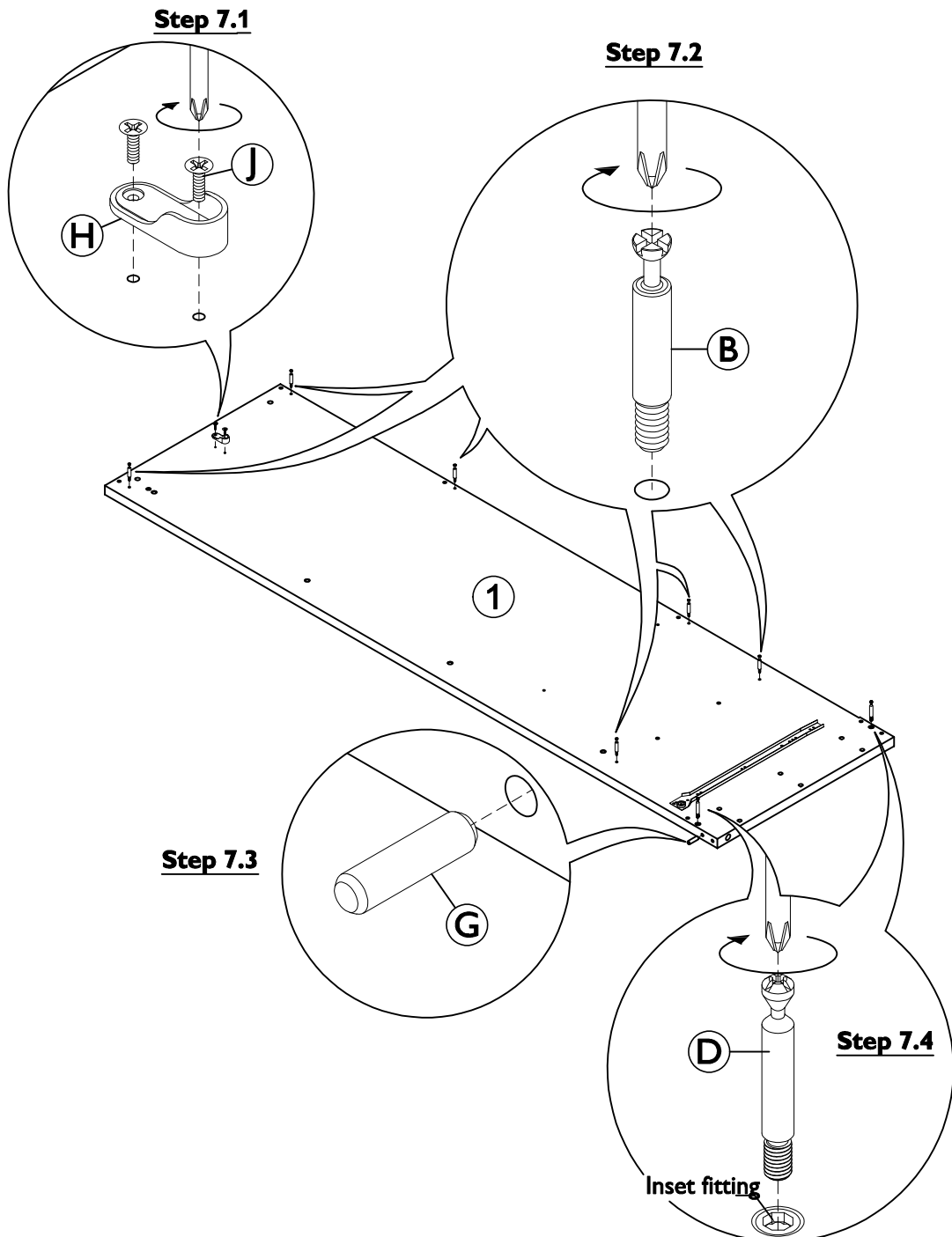
G x 1



H x 1



J x 2

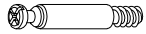


Step by step assembly instructions

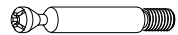
Step 8

- 8.1: Attach 1x hanger rail support (H) onto right side panel (2) using 2x varianta screws (J) as shown. Use a screwdriver to turn fittings (J) clockwise to fix.
- 8.2: Attach 6x cam screws (B) into the pre-drilled holes on right side panel (2) as shown. Use a pozi screwdriver to turn fittings (B) clockwise to fix.
- 8.3: Insert 1x wooden dowel (G) into the pre-drilled hole on right side panel (2) as shown.
- 8.4: Attach 2x steel dowels (D) into right side panel (2) by screwing fittings (D) into the inset fittings that are located on part (2) as shown. Use a pozi screwdriver to turn fittings (D) clockwise to fix.

Fitting



B x 6



D x 2



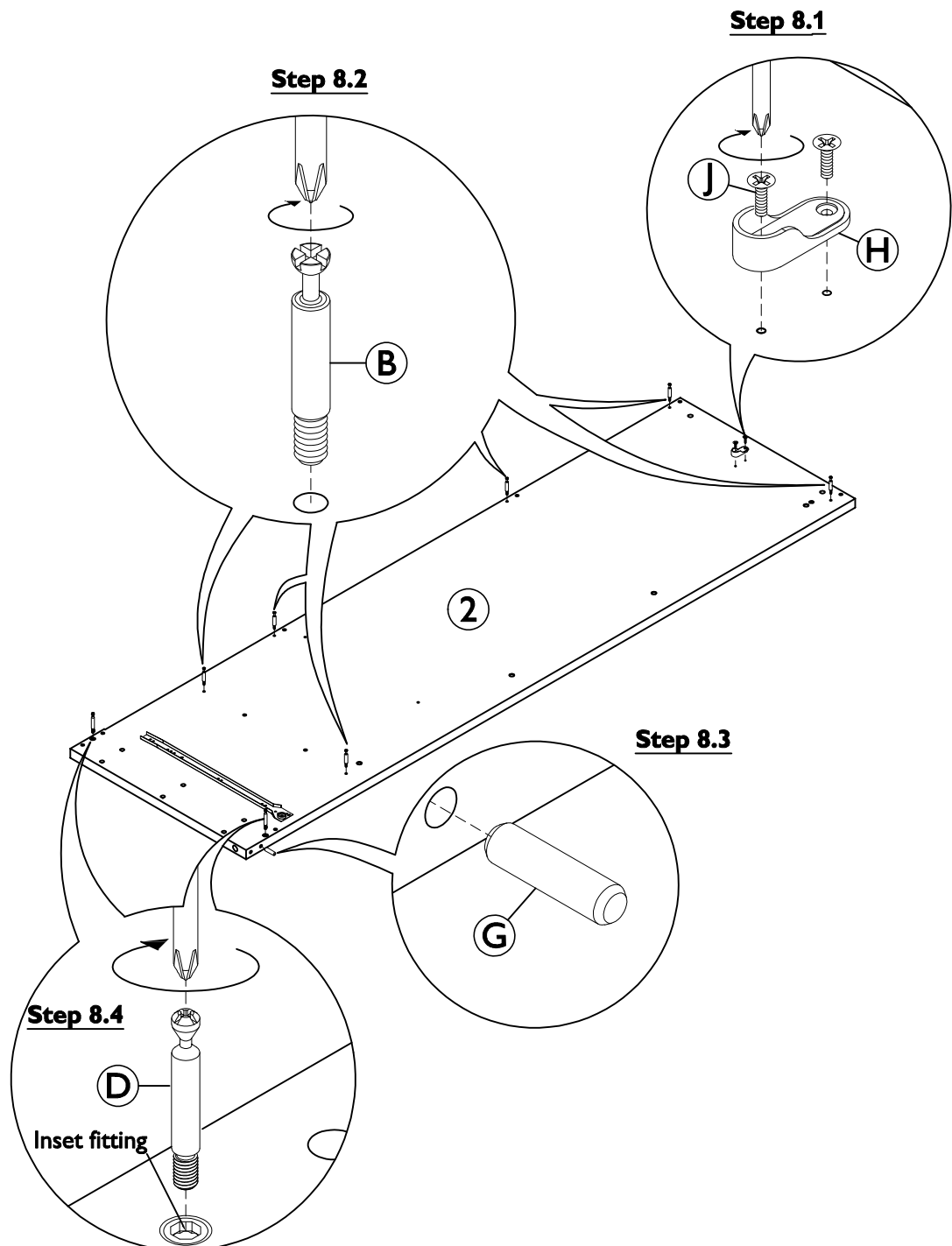
G x 1



H x 1

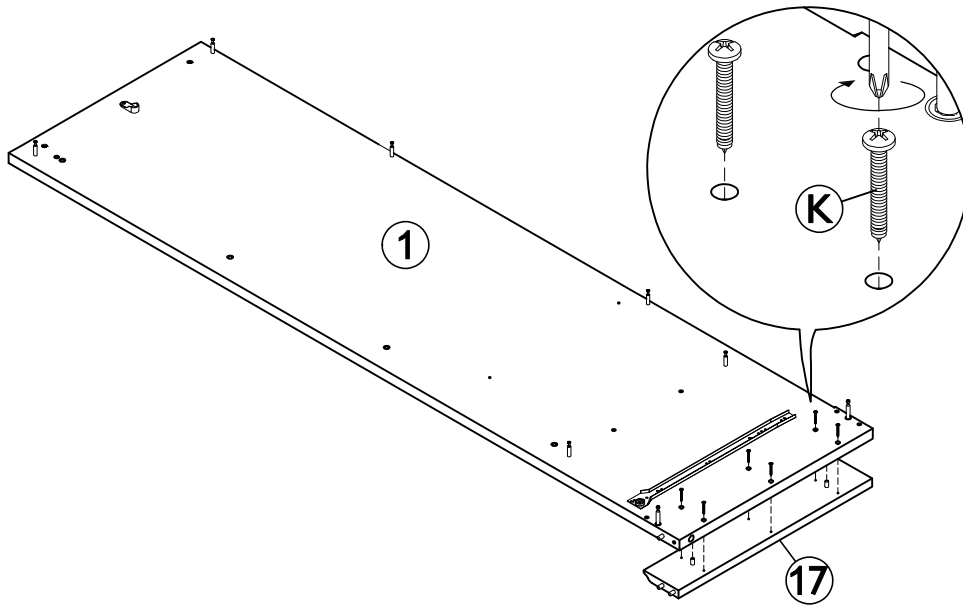
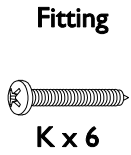


J x 2

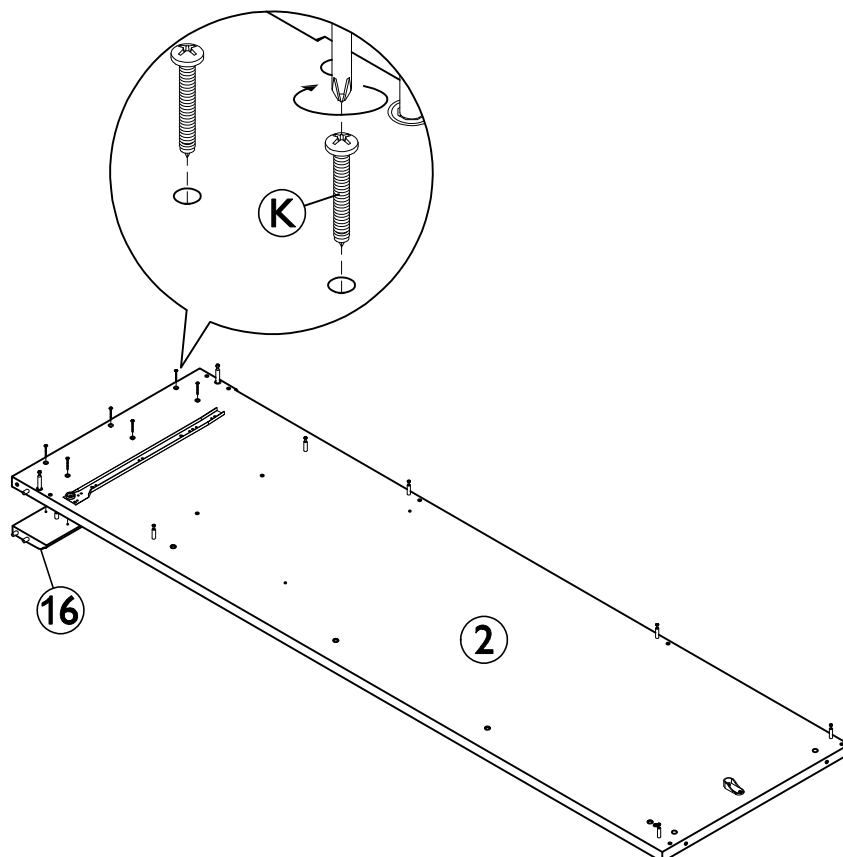


Step by step assembly instructions

Step 9 : Attach left moulding (17) onto left side panel (1) using 6x round head screws (K) as shown. Ensure dowels (gg) are aligned correctly with the holes of mating parts before attaching. Use a screwdriver to turn fittings (K) clockwise to fix.



Step 10 : Attach right moulding (16) onto right side panel (2) using 6x round head screws (K) as shown. Ensure dowels (gg) are aligned correctly with the holes of mating parts before attaching. Use a screwdriver to turn fittings (K) clockwise to fix.



Step by step assembly instructions

Step 11

- 11.1: Attach rails (10), (11) and (12) onto left side panel (1) as shown. Ensure cam screws (B) and wooden dowels (G) are aligned correctly with the holes of mating parts before attaching.
- 11.2: Secure all parts (10), (11) and (12) to part (1) using 4x cam locks (A) as shown. Use a pozi screwdriver to turn fittings (A) clockwise to fix.
- 11.3: Attach bottom panel (4) onto left side panel (1) as shown. Ensure cam screws (B) and wooden dowels (dd) are aligned correctly with the holes of mating parts before attaching.
- 11.4: Secure bottom panel (4) to part (1) using 2x cam locks (ff) as shown. Use a pozi screwdriver to turn fittings (ff) clockwise to fix.
- 11.5: Attach rails (13), (14) onto left side panel (1) as shown. Ensure steel dowels (D), wooden dowels (G) and wooden dowels (dd) are aligned correctly with the holes of mating parts before attaching.
- 11.6: Secure all parts (13), (14) to part (1) using 2x grub screws (C) as shown. Use a allen key (E) to turn fittings (C) clockwise to fix.

Fitting



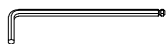
A x 4



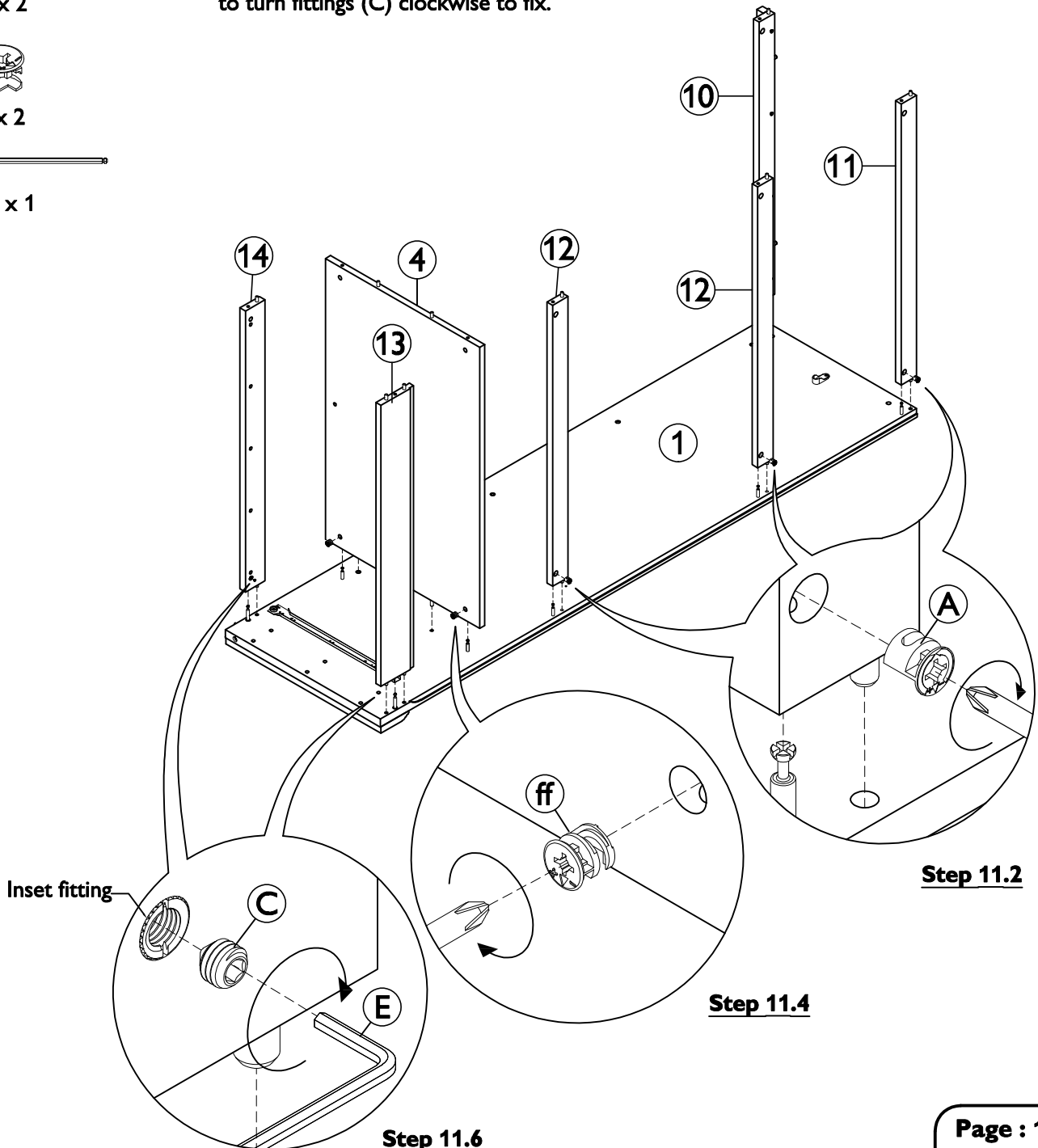
C x 2



ff x 2



E x 1



Step 11.2

Step 11.4

Step 11.6

Page : 11

Step by step assembly instructions

- Step 12**
- 12.1: Attach right side panel (2) onto rails (10), (11) and (12) as shown. Ensure cam screws (B) and wooden dowels (G) are aligned correctly with the holes of mating parts before attaching.
- 12.2: Secure part (2) to all parts (10), (11) and (12) using 4x cam locks (A) as shown. Use a pozi screwdriver to turn fittings (A) clockwise to fix.
- 12.3: Attach right side panel (2) onto bottom panel (4) as shown. Ensure cam screws (B) and wooden dowels (dd) are aligned correctly with the holes of mating parts before attaching.
- 12.4: Secure part (2) to bottom panel (4) using 2x cam locks (ff) as shown. Use a pozi screwdriver to turn fittings (ff) clockwise to fix.
- 12.5: Attach right side panel (2) onto rails (13), (14) as shown. Ensure steel dowels (D), wooden dowels (G) and wooden dowels (dd) are aligned correctly with the holes of mating parts before attaching.
- 12.6: Secure part (2) to all parts (13), (14) using 2x grub screws (C) as shown. Use a allen key (E) to turn fittings (C) clockwise to fix.

Fitting



A x 4



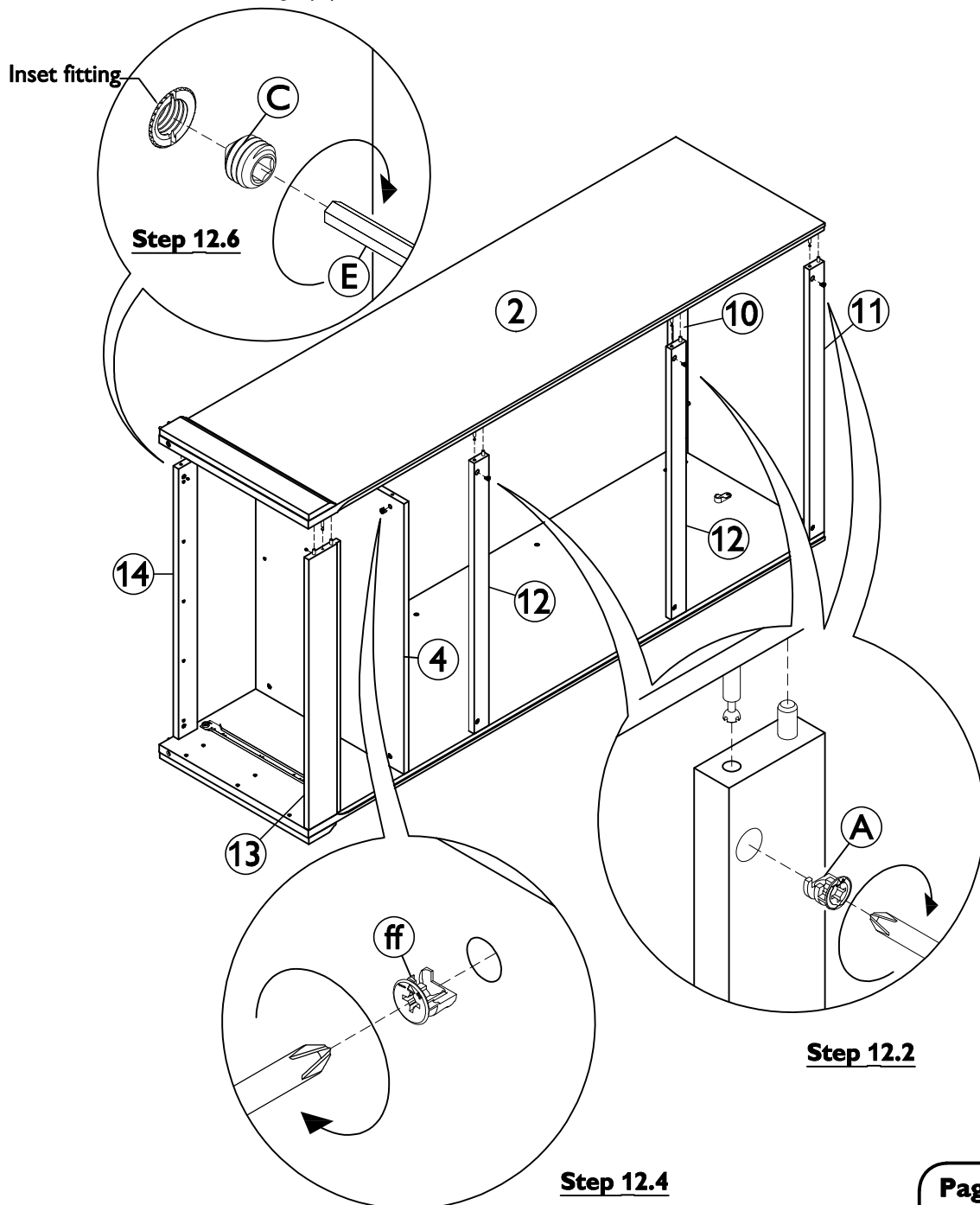
C x 2



ff x 2



E x 1



Step by step assembly instructions

- Step 13**
- 13.1: Attach front moulding (15) onto right and left mouldings (16), (17) and rail (14) as shown. Ensure cam screws (B) and wooden dowels (dd), wooden dowels (G) are aligned correctly with the holes of mating parts before attaching.
- 13.2: Secure part (15) to all parts (16), (17) using 2x cam locks (A) and to part (14) using 5x round head screws (L) as shown. Use a pozi screwdriver to turn fittings (A) and a screwdriver to turn fittings (L) clockwise fix.
- 13.3: Attach top panel (3) onto rails (10), (11) and left and right side panels (1), (2) as shown. Ensure steel dowels (D) and wooden dowels (G) are aligned correctly with the holes of mating parts before attaching.
- 13.4: Secure part (3) to all parts (10), (11), (1) and (2) using 4x grub screws (C) and 4x hex head bolts (M) as shown. Use a allen key (E) to turn fittings (C) and allen key (E) to turn fittings (M) clockwise to fix.

Fitting



A x 2



C x 4



L x 5



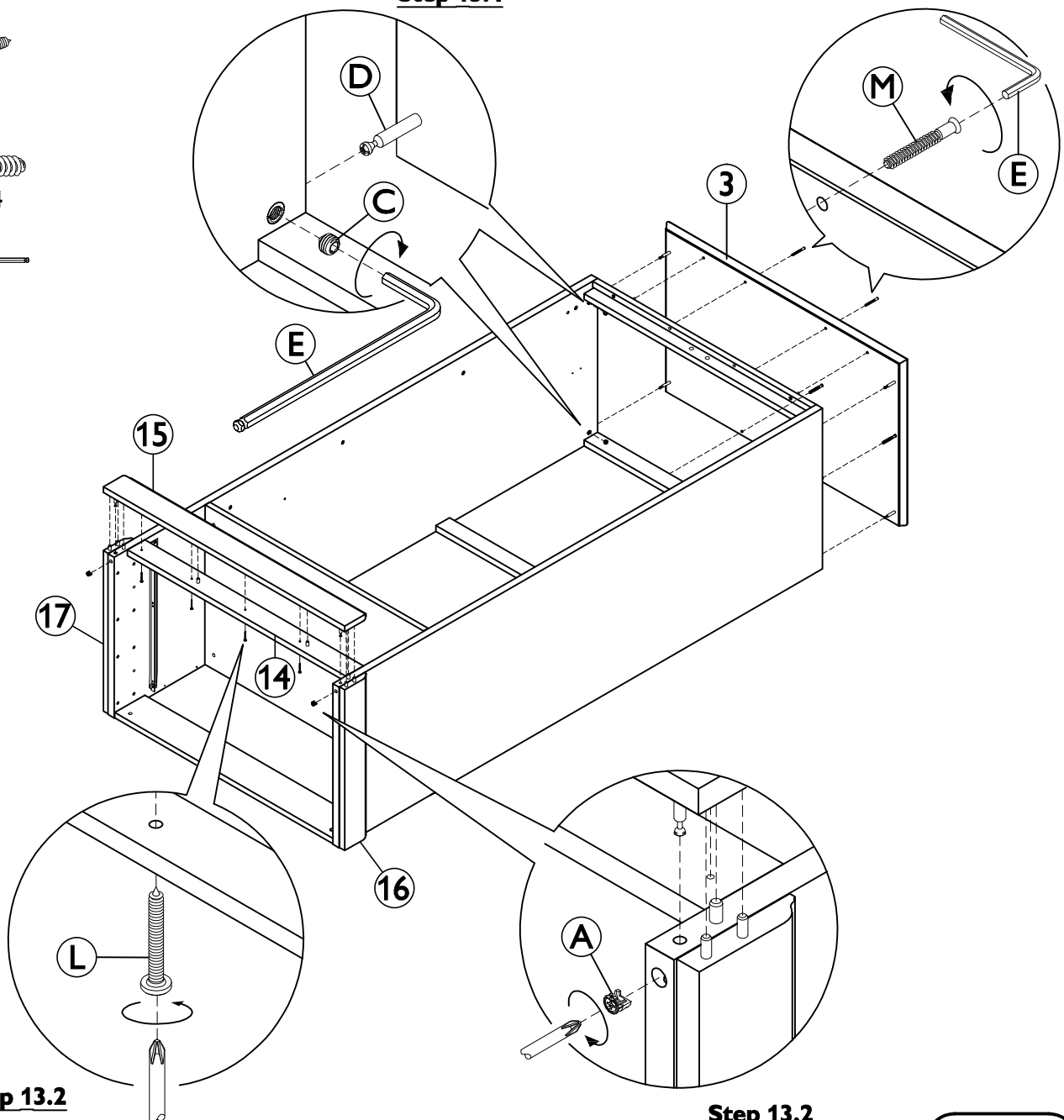
M x 4



E x 1

Step 13.4

Step 13.4



Step 13.2

Step 13.2

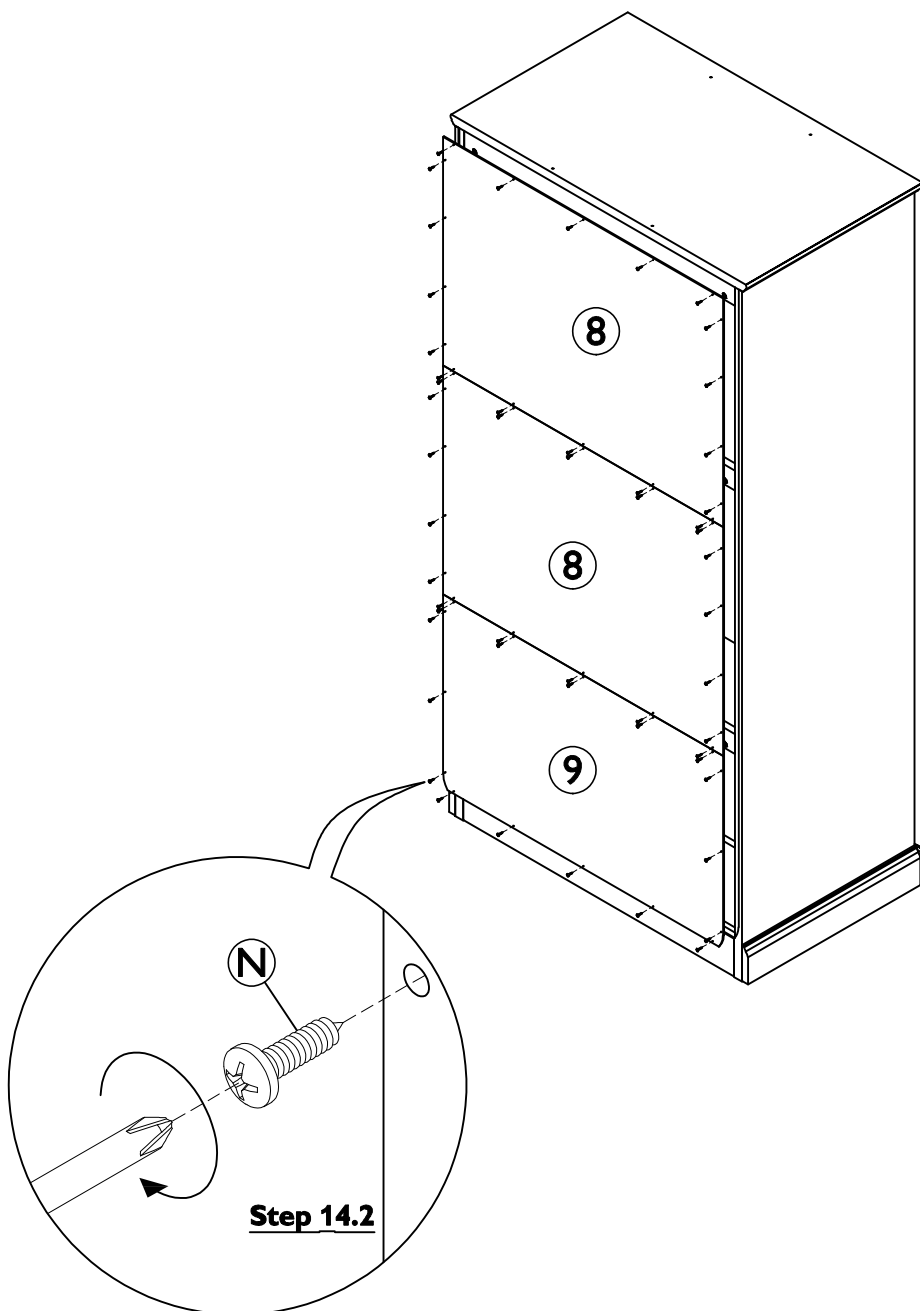
Step by step assembly instructions

- Step 14**
- 14.1: With help of assistant, carefully stand the unit upright.
- 14.2: Attach back panels (8), (9) onto back side of the unit using 52x round head screws (N) as shown. Use a screwdriver to turn fittings (N) clockwise to fix.

Fitting



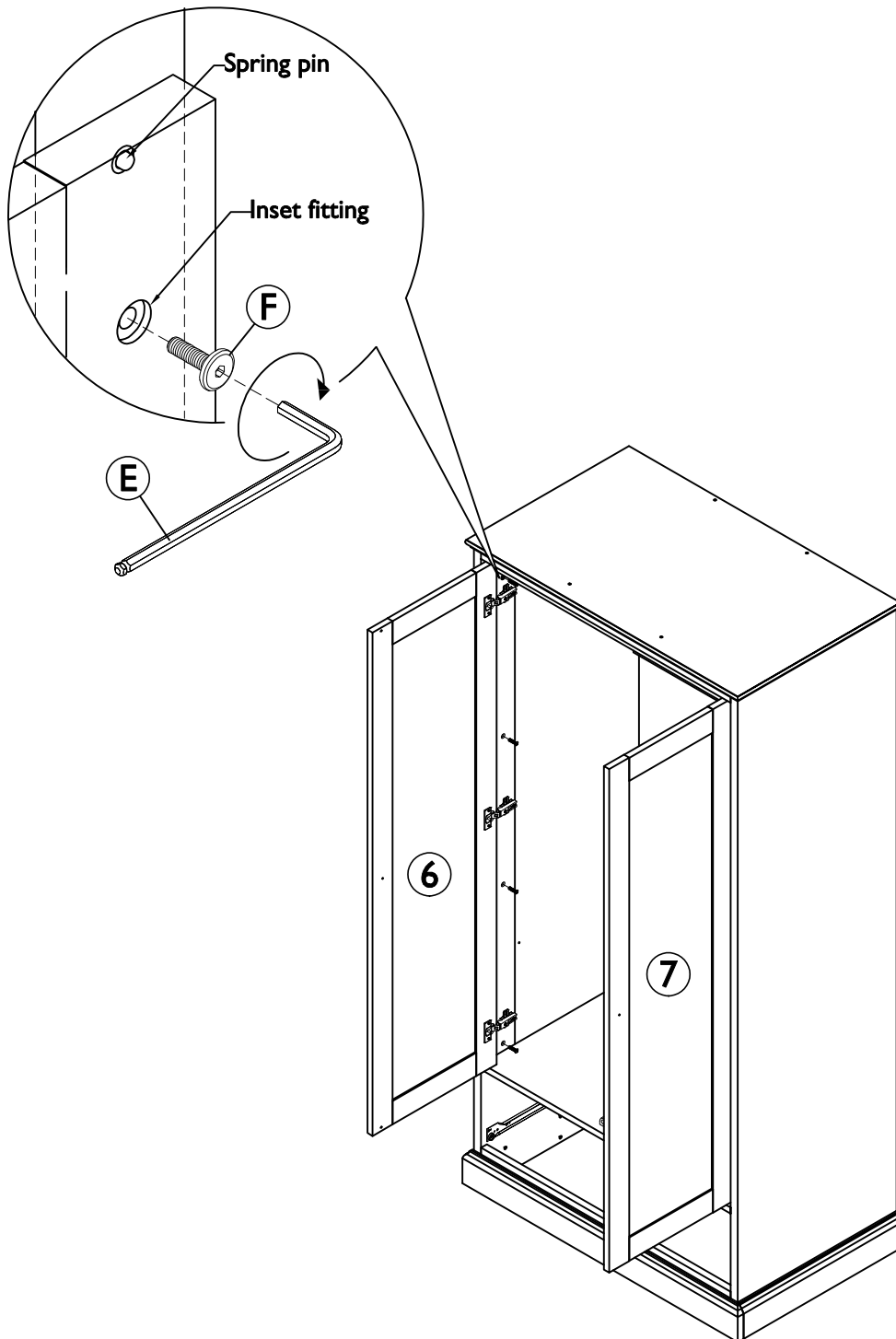
N x 52



Step by step assembly instructions

Step 15 : Attach doors (6) and (7) to side panels (1) and (2) by screwing 8x bolts (F) into inset fittings that are located on parts (1) and (2) as shown. Ensure the holes on doors are aligned correctly with the mating spring pins on side panels before attaching. Use allen key (E) to turn fittings (F) clockwise to fix.

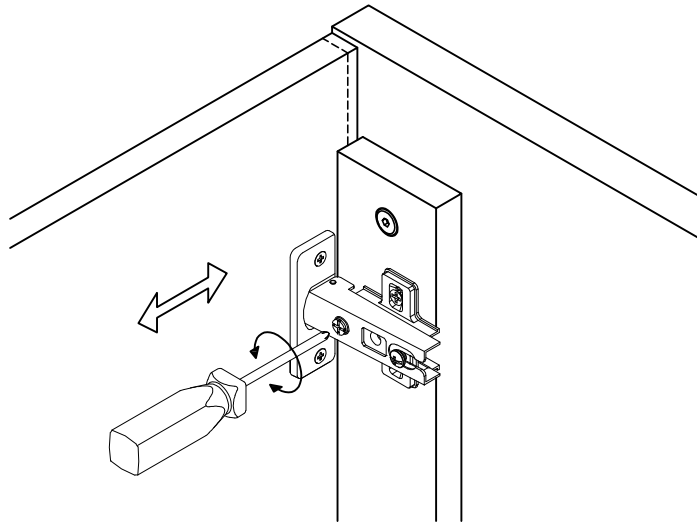
Fitting
F x 8
E x 1



HINGE ADJUSTMENT INSTRUCTIONS

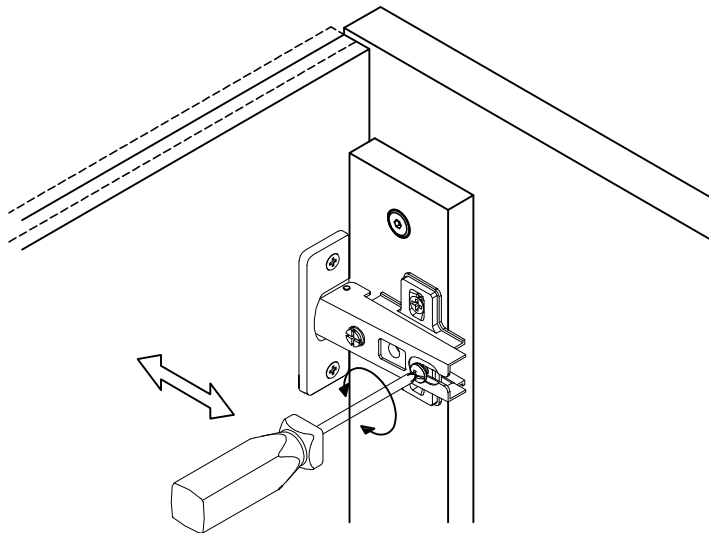
LATERAL ADJUSTMENT

by screw adjustment.



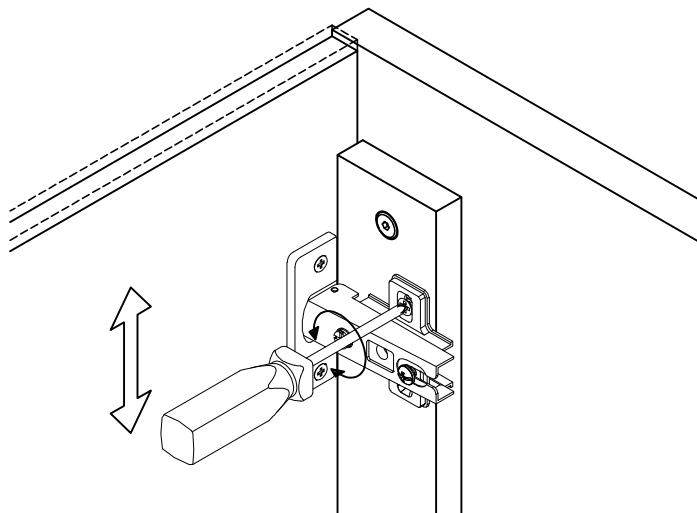
FRONT-TO-BACK

by slackening and retightening the hinge-arm mounting screw.



VERTICAL ADJUSTMENT

via slots on mounting plate by slackening and retightening the screws on mounting plate



Step by step assembly instructions

- Step 16**
- 16.1: Attach 2x handles (R) to doors (6), (7) using 2x round head bolts (S) as shown. Use a screwdriver to turn fittings (S) clockwise to fix.
 - 16.2: Place hanger rail (P) onto hanger rail supports (H) on left & right sides of unit as shown.
 - 16.3: Insert 4x wood shelf supports (Q) into the pre-drilled holes on left and right side panels (1) & (2) as shown.
 - 16.4: Tilt shelf (5) to a suitable angle as shown in the picture so as to slide it in.
 - 16.5: Slide shelf (5) into the unit. Ensure the holes on shelf are facing down, then place it onto the pins of wood shelf support (Q) as shown.



P x 1



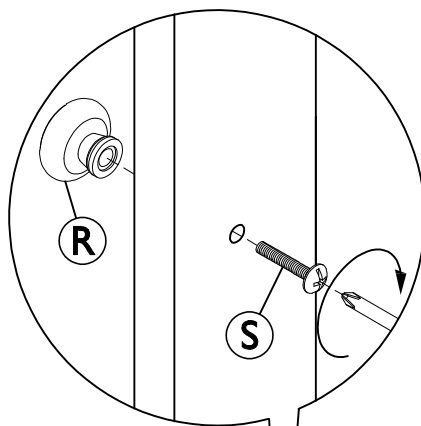
Q x 4



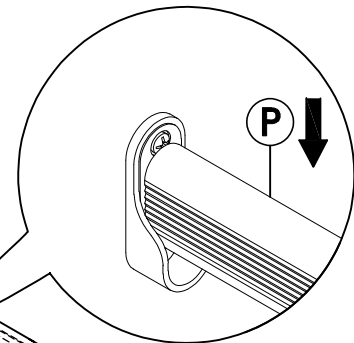
R x 2



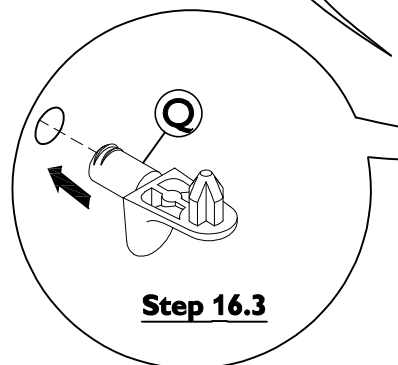
S x 2



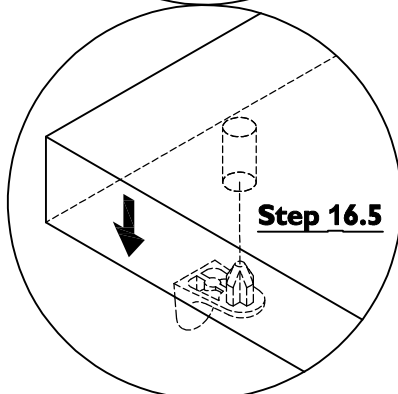
Step 16.1



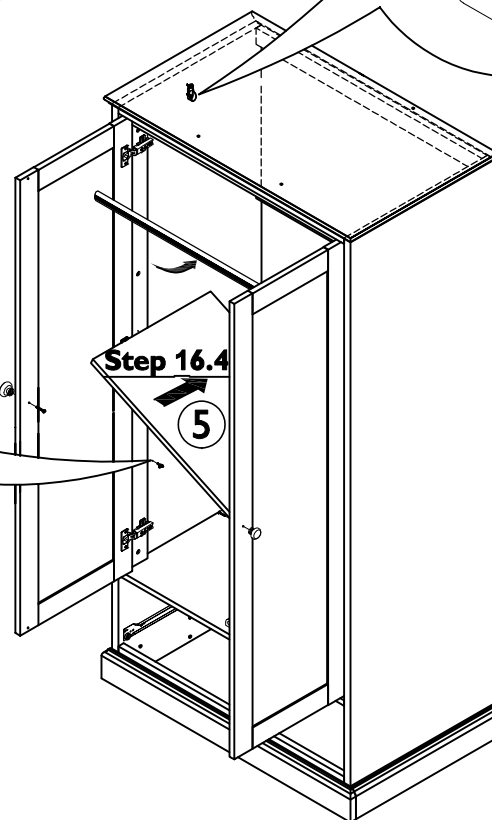
Step 16.2



Step 16.3

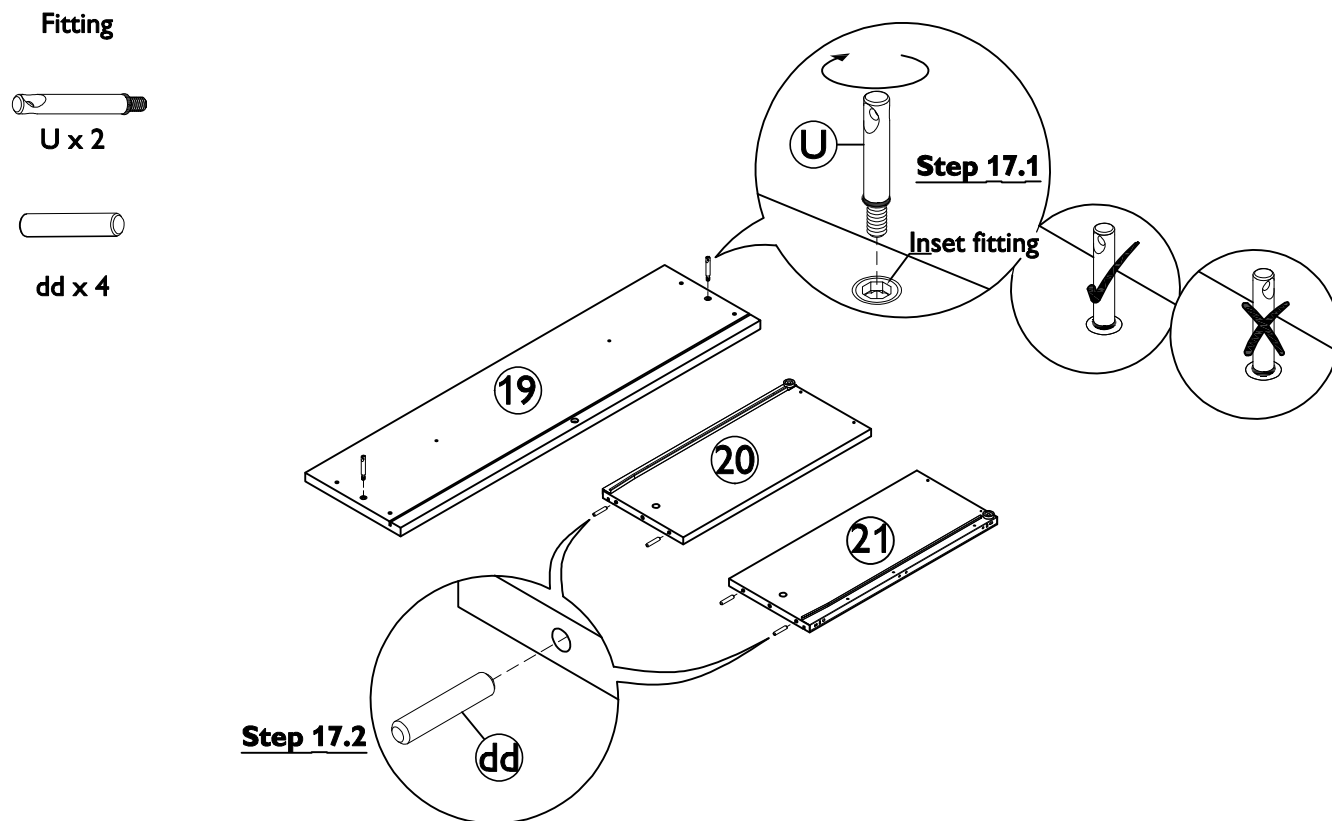


Step 16.5

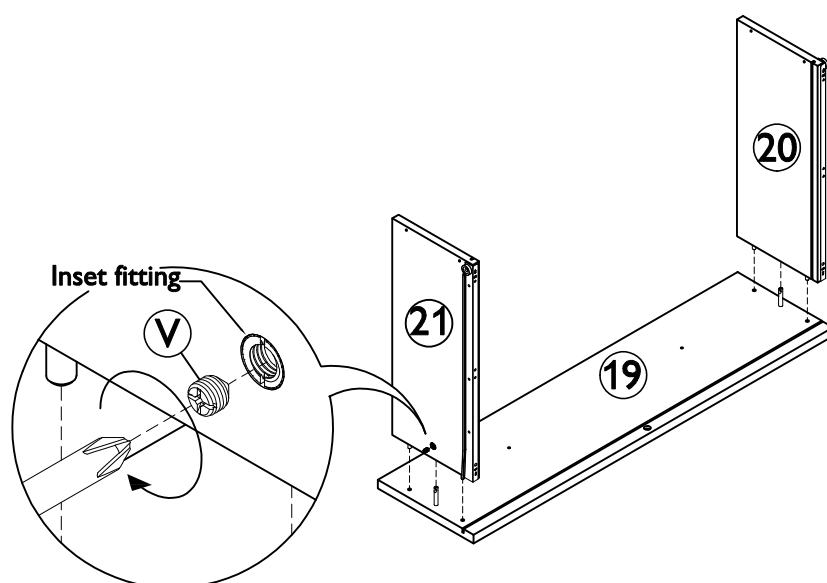


Step by step assembly instructions

- Step 17** 17.1: Attach 2x small steel dowels (U) into drawer front (19) by screwing fittings (U) into the inset fittings that are located on part (19) as shown. Ensure the direction of the holes on fittings (U) are facing correctly as per diagram.
- 17.2: Insert 4x dowels (dd) into the pre-drilled holes drawer on sides (20), (21) as shown.

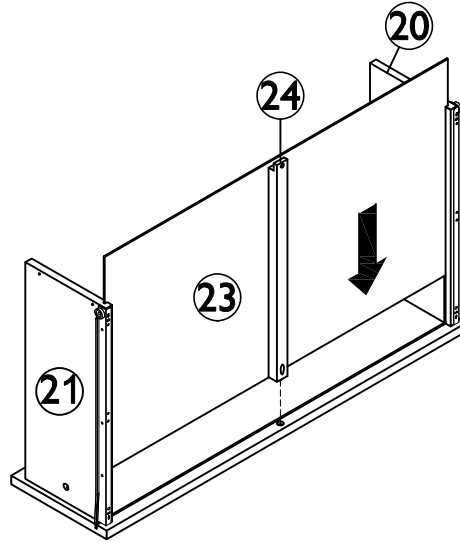


- Step 18** : Attach drawer sides (20) & (21) onto drawer front (19) using 2x small grub screws (V) as shown. Ensure small steel dowels (U) and dowels (dd) are aligned correctly with the holes of mating parts before attaching. Use a screwdriver to turn fittings (V) clockwise to fix.



Step by step assembly instructions

- Step 19**
- 19.1: Slide drawer bottom (23) into the slots inside drawer sides (20) & (21) as shown. Ensure the drawer bottom (23) is placed completely in the slot of drawer front (19).
- 19.2: Attach support drawer (24) onto drawer front (19) as shown.

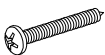


- Step 20**
- 20.1: Place drawer back (22) onto the top of constructed drawer box. Ensure the slot under drawer back (22) is aligned correctly with drawer bottom (23) before attaching.
- 20.2: Secure drawer back (22) to the drawer box using 4x round head screws (Y) as shown. Use a screwdriver to turn fittings (Y) clockwise to fix.
- 20.3: Secure wood support drawer (24) to drawer back (22) using 1x round head screw (X) and to drawer front (19) using 1x round head screw (L) as shown. Use a screwdriver to turn fittings (X), (L) clockwise to fix.

Fitting



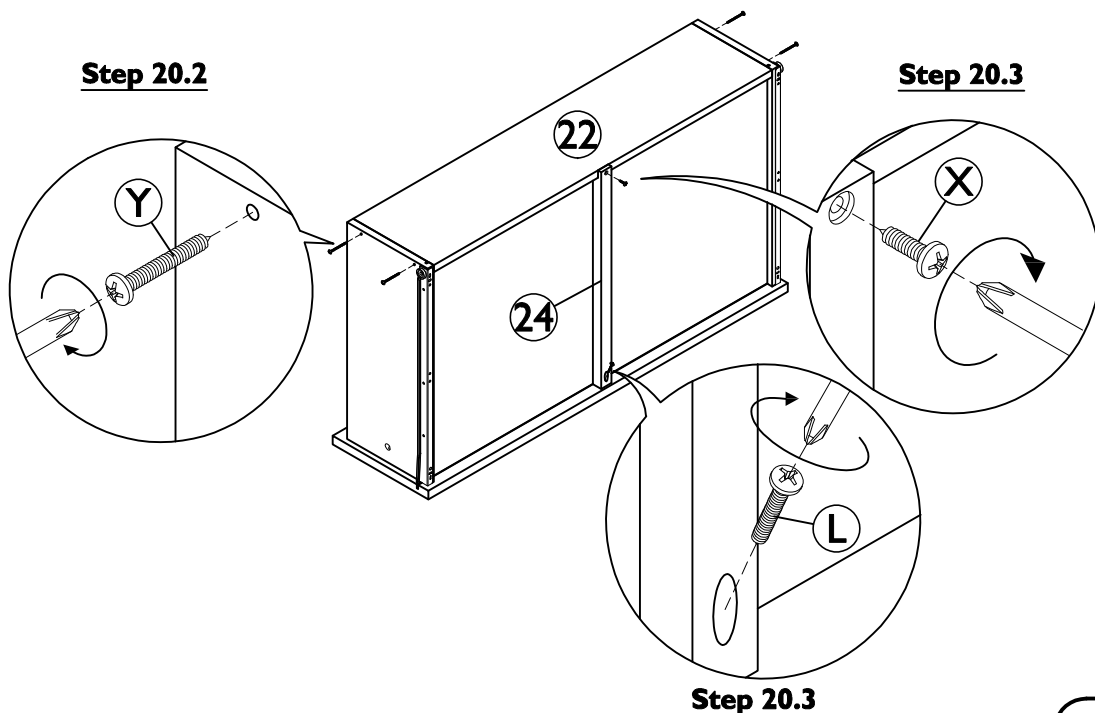
L x 1



Y x 4



X x 1



Step by step assembly instructions

Step 21 : Attach 2x handles (R) to drawer front (19) using 2x bolts (S) as shown. Use a screwdriver to turn fittings (S) clockwise to fix.

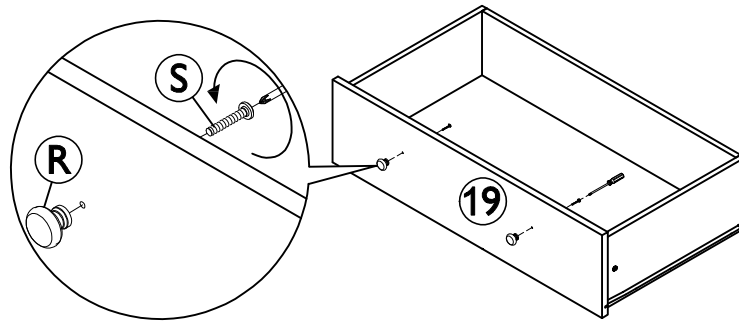
Fitting



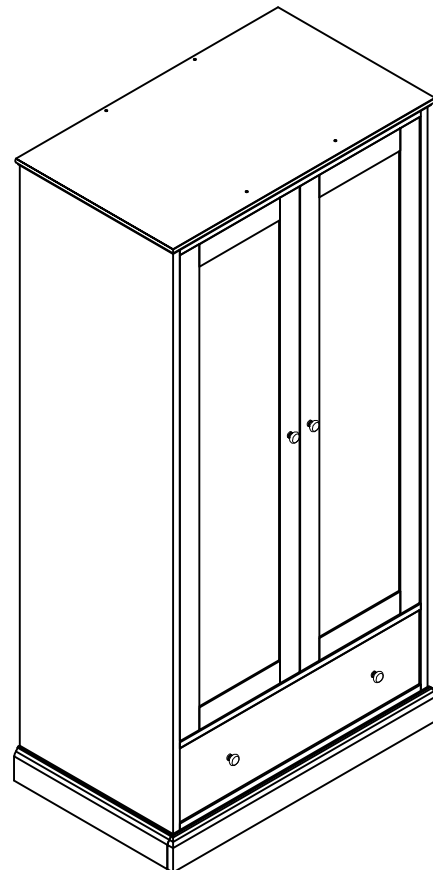
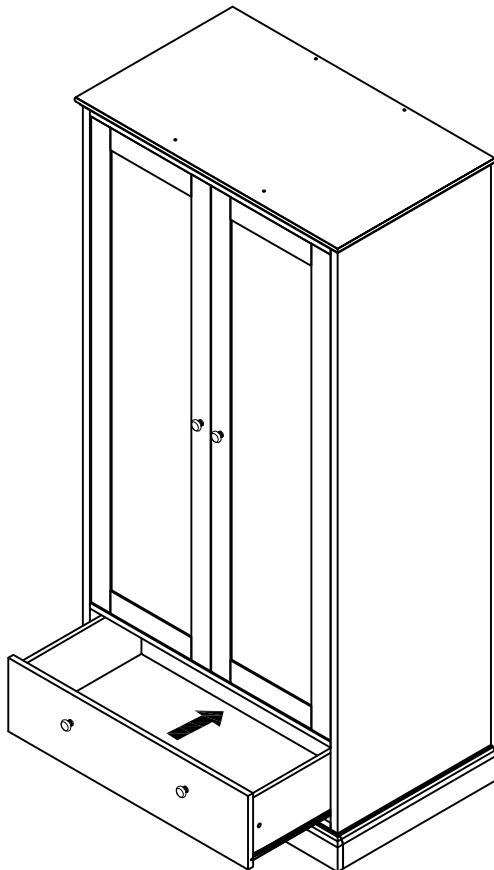
R x 2



S x 2



Step 22 : Insert the assembled drawer into the unit as shown.



Assembly is complete

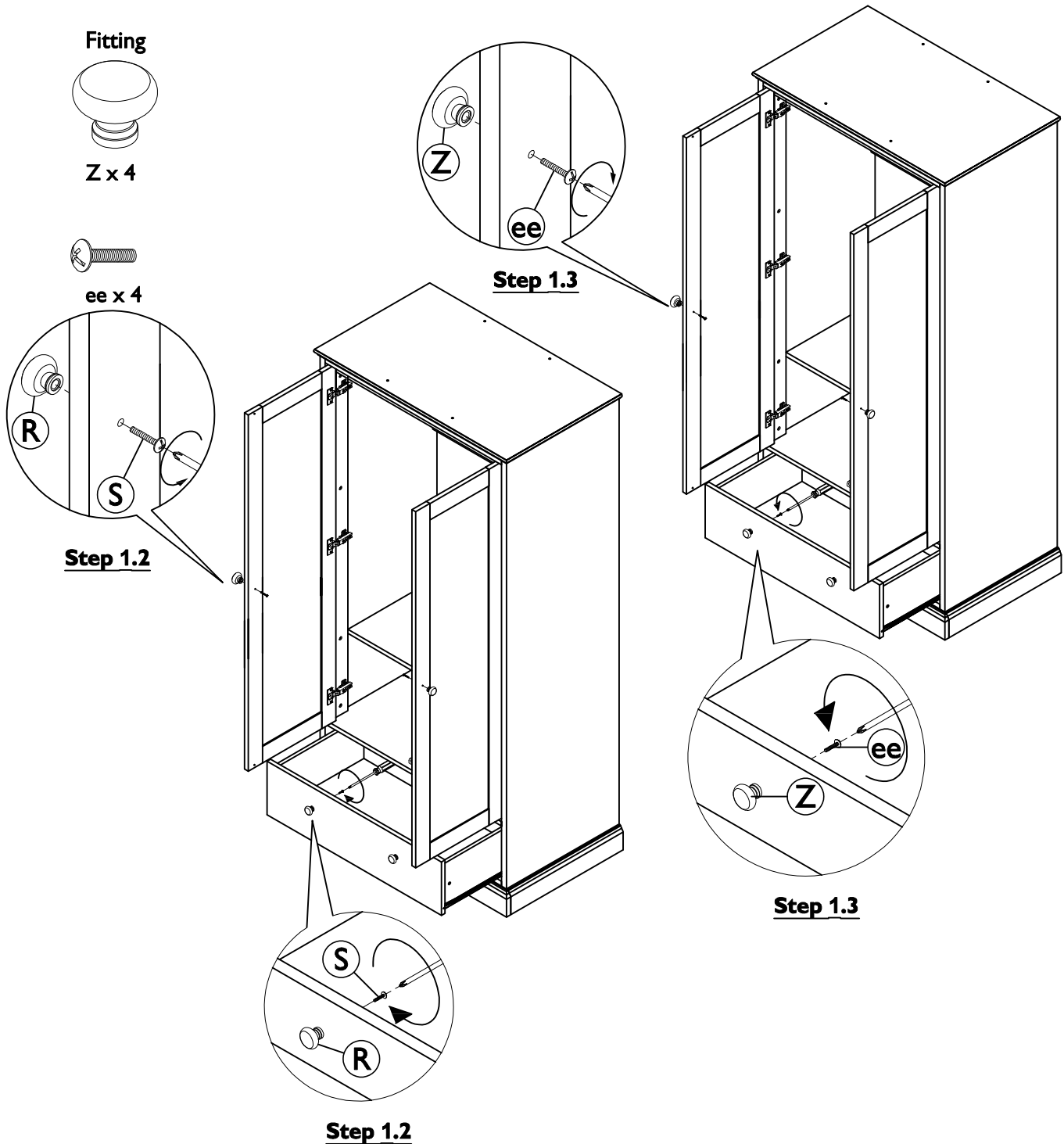
Step by step assembly instructions

Handle option:

1.1 : Pull out the drawer and the doors as shown.

1.2 : Remove the handles (R) from the front of drawer and doors by using a screwdriver to turn round head bolts (S) counterclockwise as shown.

1.3 : Attach 4x handles (Z) to the front of drawer and doors using 4x round head bolts (ee) as shown. Use a screwdriver to turn fittings (ee) clockwise to fix.



Care and Maintenance

Wood Furniture

Wood displays different grain patterns depending on which way they are cut - for example, the 'medullary ray' which can appear on oak furniture is a mark of good quality timber - these are just characteristics of the natural beauty of the wood.

Some furniture is also deliberately aged and rustic.

Wood veneers also allow distinctive patterns to be created on some surfaces, such as table tops and drawer fronts by the way slivers are arranged.

All timber and veneer surfaces will change colour and mellow over time. New furniture will initially vary in shade from items that have been previously purchased.

How to care for your wood furniture

Dust with a clean, damp, lint free cloth. Frequent dusting will remove abrasive build up, which can damage the finish over time.

Do not use a very wet cloth or allow any liquid to contact with the veneers for a long period of time as this can permanently damage the surface. Wipe up spills immediately.

Do not use any abrasive cleaner or harsh detergent as this can damage the surface of the furniture.

Spray polishes are best avoided as they contain silicones which may spoil the furniture's surface when building up over time.

Make sure all surfaces are protected from heat and liquids by mats and coasters.

Ensure that a mat or pad is placed under paper when you are writing on the furniture surface.

Do not place rubber, cork, vinyl or plastic materials on the wood finish as chemicals within may react with the finish if left in contact for an extended period of time.

Our furniture will endure most temperatures in the home but it is best to avoid placing furniture next to heat sources such as radiators or fires. Be particularly careful with solid wood as the lack of humidity caused by home heating can cause damage such as warping, cracking or splitting.

Excessive exposure to sunlight can cause fading of your furniture.

Avoid exposing your furniture to any liquids. All liquids should be wiped up immediately with a soft, slightly damp cloth in the direction of the wood grain. If sticky liquid residues do occur, they may be removed with a dilute solution of warm soapy water followed by a clean, damp sponge. The area should then be wiped immediately in the direction of the wood grain with a clean, soft white cloth until completely dry.

Nail polish remover, hairspray, perfume, potpourri & any other products that contains solvents can damage wood upholstery finishes.

Safety Instructions:

Never drag furniture when moving it. Always lift it.

Periodically check all fixings to ensure none have come loose. Re-tighten when necessary.

Please take care when handling or moving the furniture as careless handling may cause damage or injury.

Furniture can be dangerous if incorrectly assembled. Assembly should be carried out by a competent person.

No liability will be accepted for damage or injury caused by incorrectly installed or assembled furniture.

Heavy item warning:

It is recommended to seek assistance when moving a heavy object. Take care when lifting to avoid personal injury and (or) damage to the product.

It is recommended that before moving a heavy object to a new location it is completely dis-assembled to avoid personal injury or damage to the furniture. Please be careful to retain all fittings when doing this.

PLEASE KEEP THESE INSTRUCTIONS FOR FUTURE REFERENCE