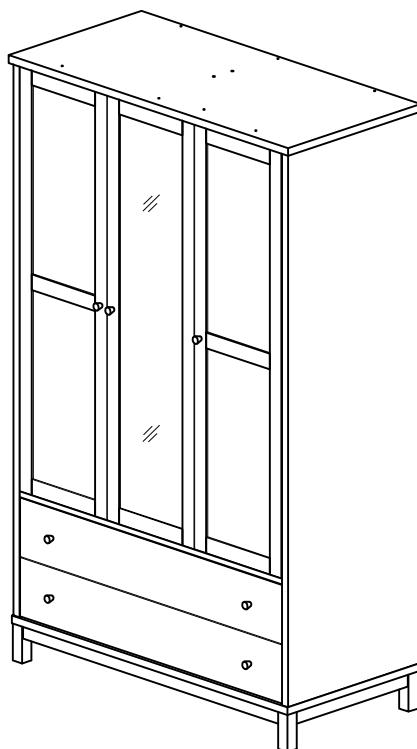


TRIPLE WARDROBE

Stock number: 480X-83

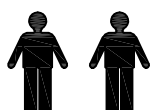
Thank you for purchasing this product. Please read the instructions carefully before use to ensure safe and satisfactory operation of this product.



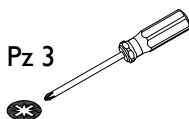
Pre-assembly preparation

Please ensure instructions are read in full before attempting to assemble this product.

Necessary Tools : Pozi screwdriver and Phillips screwdriver



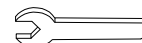
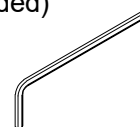
Pz 2 or Pz 3



Ph 2



(Included)



Please check the pack contents before attempting to assemble this product. A full checklist of components is given in this leaflet. If any components are missing, please contact the retailer from whom you bought this product.

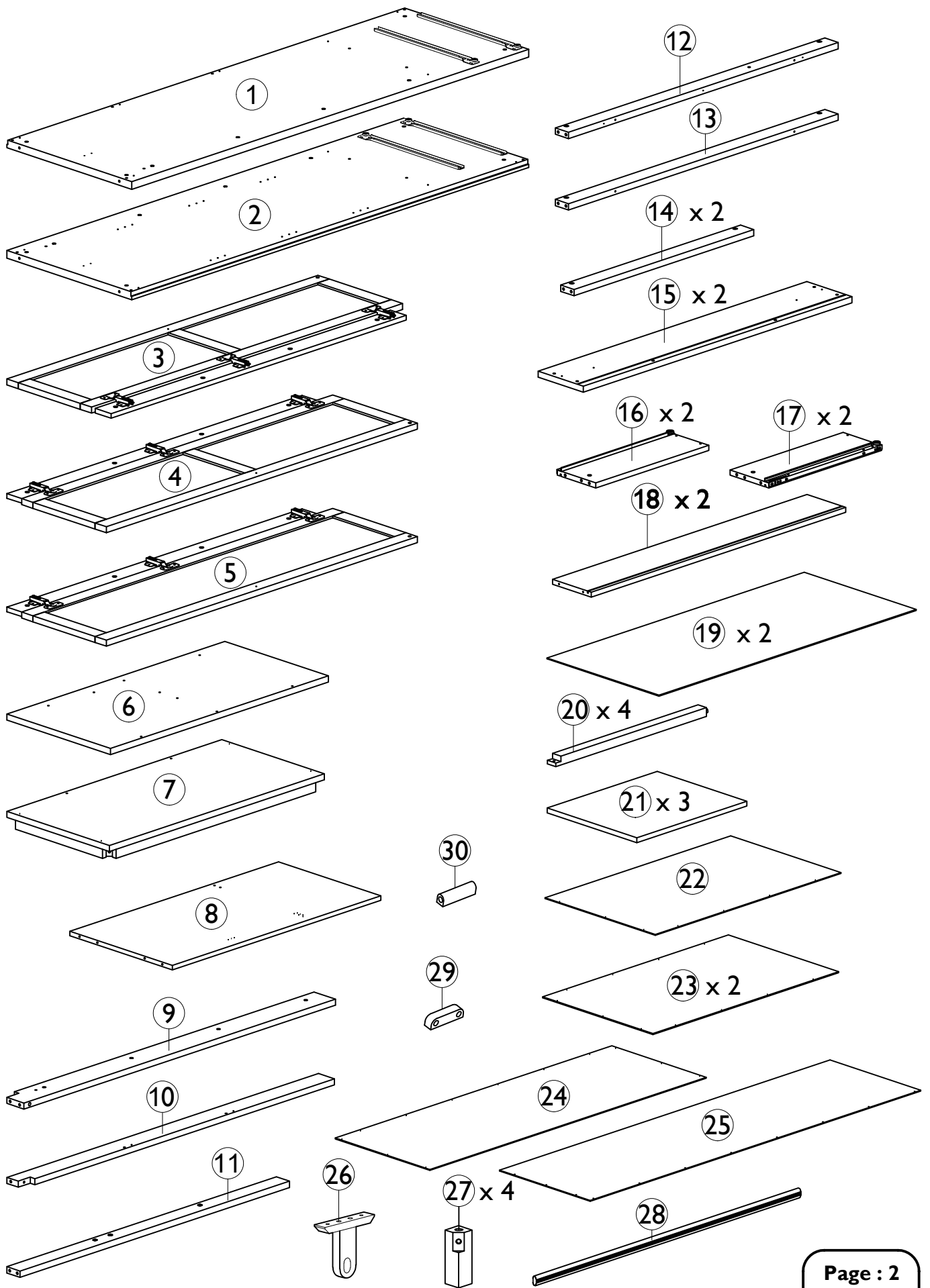
This product takes approximately **120 MINUTES** to assemble with **2 PEOPLE**.

All assembly should be performed on a flat, stable, clean and soft surface.

This product is **HEAVY**, it should be assembled as near as possible to the point of use. **TAKE CARE WHEN LIFTING** to avoid personal injury and (or) damage to the product

The fitting pack contains **SMALL ITEMS** which should be **KEPT AWAY FROM YOUNG CHILDREN**.




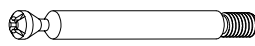




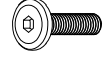


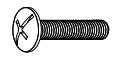


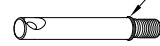
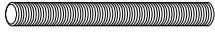

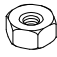





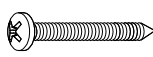

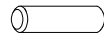
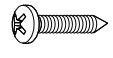
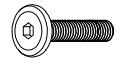
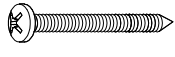


IMPORTANT: Retain these instructions for future reference.



Parts checklist

Item	Description	Qty.	Item	Description	Qty.
1	Left side panel	x 1	16	Left drawer side	x 2
2	Right side panel	x 1	17	Right drawer side	x 2
3	Left door	x 1	18	Drawer back	x 2
4	Right door	x 1	19	Drawer bottom	x 2
5	Center door	x 1	20	Support drawer	x 4
6	Top panel	x 1	21	Removable shelf	x 3
7	Bottom panel	x 1	22	Back panel	x 1
8	Fixed shelf	x 1	23	Back panel	x 2
9	Vertical front rail	x 1	24	Back panel	x 1
10	Vertical back rail	x 1	25	Back panel	x 1
11	Top front rail	x 1	26	Support rail	x 1
12	Top back rail	x 1	27	Leg	x 4
13	Bottom back rail	x 1	28	Hanger rail	x 1
14	Center back rail	x 2	29	Door stopper A	x 1
15	Drawer front	x 2	30	Door stopper B	x 1

Fittings and parts checklist

A	Cam screw Ø7 x 44.5mm 	x14	B	Cam lock Ø15 x 12.5mm 	x10	C	Steel dowel Ø7 x 52mm 	x4
D	Steel dowel Ø7 x 72.5mm 	x4	E	Grub screw Ø8 x 8mm 	x8	F	Cloth bar support 	x2
G	Varianta screw Ø4.2 x 10.5 	x4	H	Conformat screw Ø7 x 50 	x10	J	Hex head bolt M6 x 25mm 	x12
K	Hex key 	x1	L	Handle 	x7	M	Metric cross head bolt M4 x 30 	x7
N	Round head screw Ø3.5 x 15 	x66	P	Small Flat washer Ø5x12x1 	x14	Q	Steel dowel Ø5.5 x 45mm O'-ring 	x4
R	Threaded bolt M8 x 60mm 	x4	S	Assy nut cross dowel M8 Ø12 x 30mm 	x4	T	Hexagon Nut M8 x 13mm 	x4
U	Lock washer 	x4	V	Flat washer Ø8.4 x 17x 1.6 	x4	W	Small grub screw Ø7 x 7.5mm 	x4
X	Wood shelf support 	x12	Y	Dowel Ø8 x 30 	x25	Z	Round head screw Ø4 x 40 	x8
dd	Round head screw Ø4 x 25 	x6	ee	Dowel Ø6 x 30 	x12	ff	Round head screw Ø4 x 18mm 	x4
gg	Hex head bolt M6 x 30mm 	x2	hh	Round head screw Ø4 x 50 	x1	jj	Spanner 13mm 	x1
kk	Cam lock Ø16 x 12.5mm 	x4						

Step By Step Assembly Instructions

- Step 1**
- 1.1 Attach 14x cam screws (A) into the pre-drilled holes on left and right side panels (1) & (2) and vertical back rail (10) as shown. Use a pozi screwdriver to turn fittings (A) clockwise to fix.
 - 1.2 Attach 2x cloth bar supports (F) using 4x flat head screws (G) into side panels (1) & (2) as shown. Use a screwdriver to turn fittings (G) clockwise to fix.
 - 1.3 Insert 2x dowels (Y) to vertical front rail (10) as shown.

Fitting



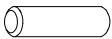
A x 14



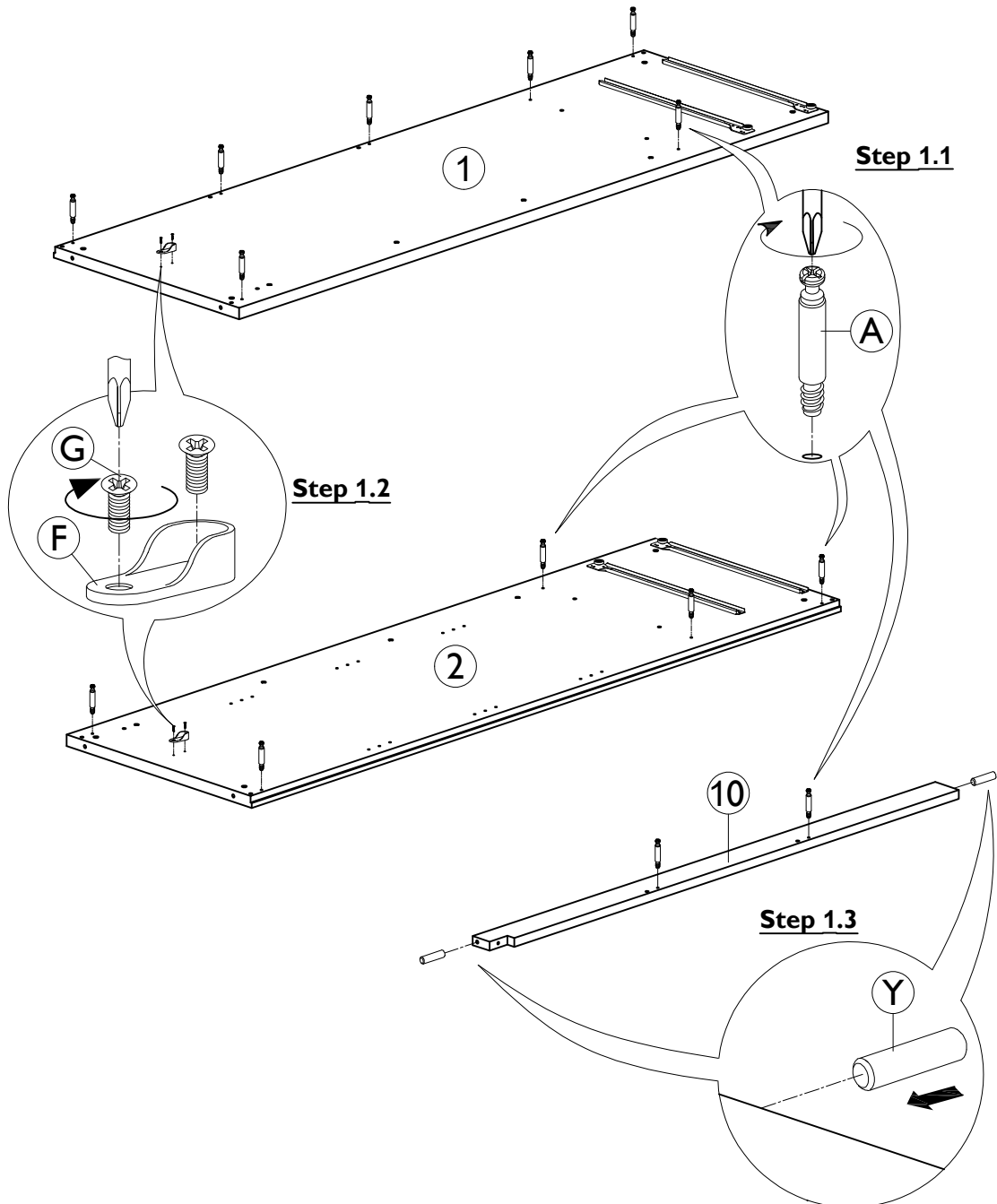
F x 2



G x 4



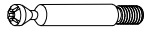
Y x 2



Step By Step Assembly Instructions

Step 2 2.1 : Attach 4x steel dowels (C) onto top panel (6) by screwing fittings (C) into the inset fittings that are located inside part (6) as shown. Use a pozi screwdriver to turn fittings (C) clockwise to fix.

Fitting

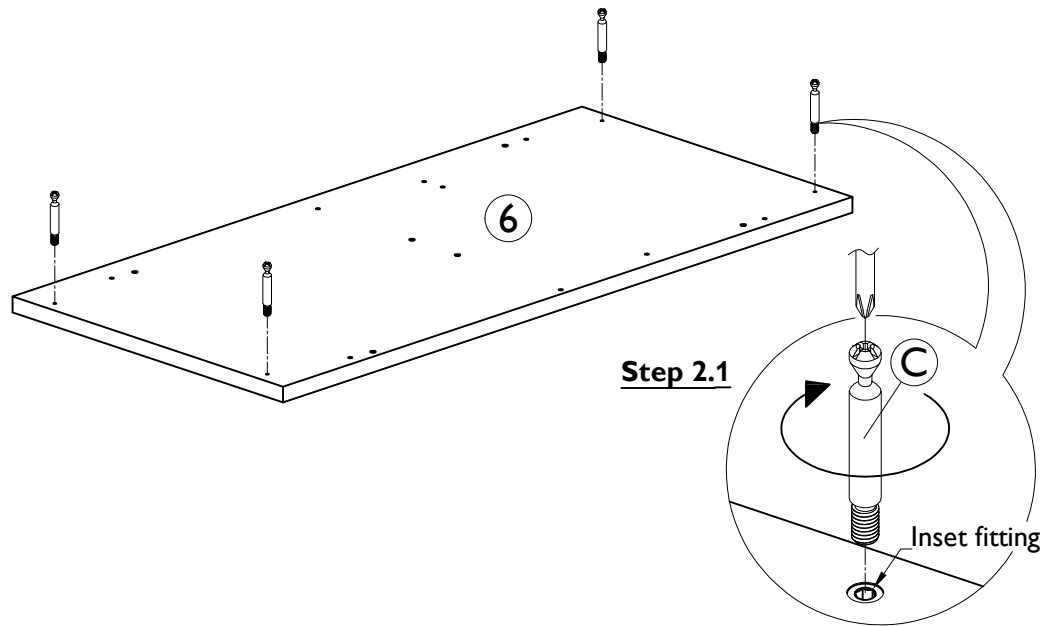


C x 4

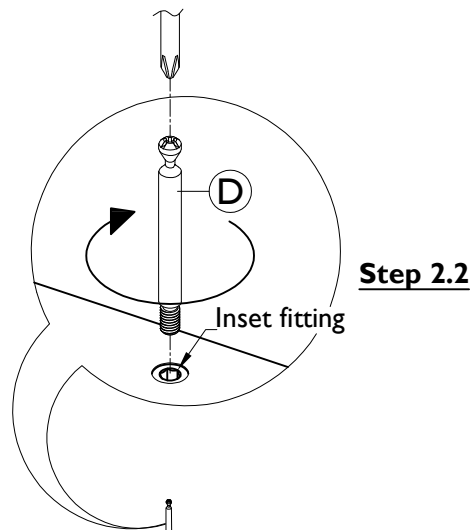


D x 4

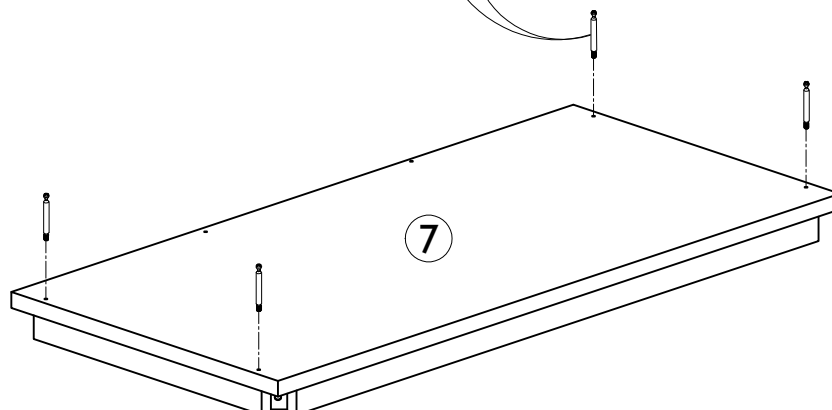
2.2 : Attach 4x steel dowels (D) onto bottom panel (7) by screwing fittings (D) into the inset fittings that are located inside part (7) as shown. Use a pozi screwdriver to turn fittings (D) clockwise to fix.



Step 2.1



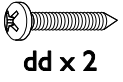
Step 2.2



Fittings and parts checklist

- Step 3**
- 3.1: Insert 23x dowels (Y) into rails (9), (11), (12), (13), (14), door stopper (29), (30) and 4x dowels (ee) into fixed shelf (8) as shown.
- 3.2: Attach door stopper (29), (30) onto fixed shelf (8) using 2x round head screw (dd) as shown. Use a screwdriver to turn fittings (dd) clockwise to fix.

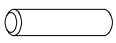
Fitting



dd x 2

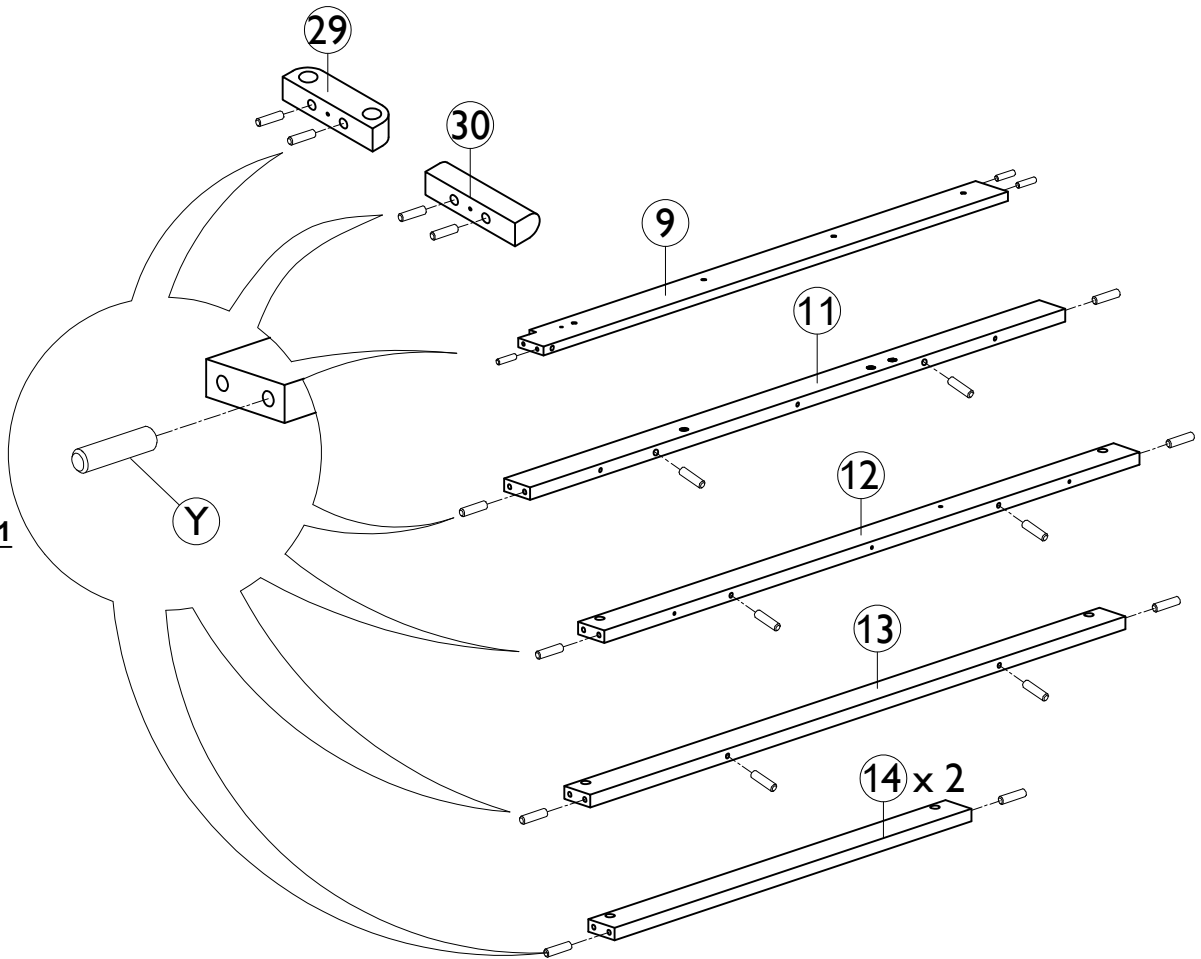


Y x 23

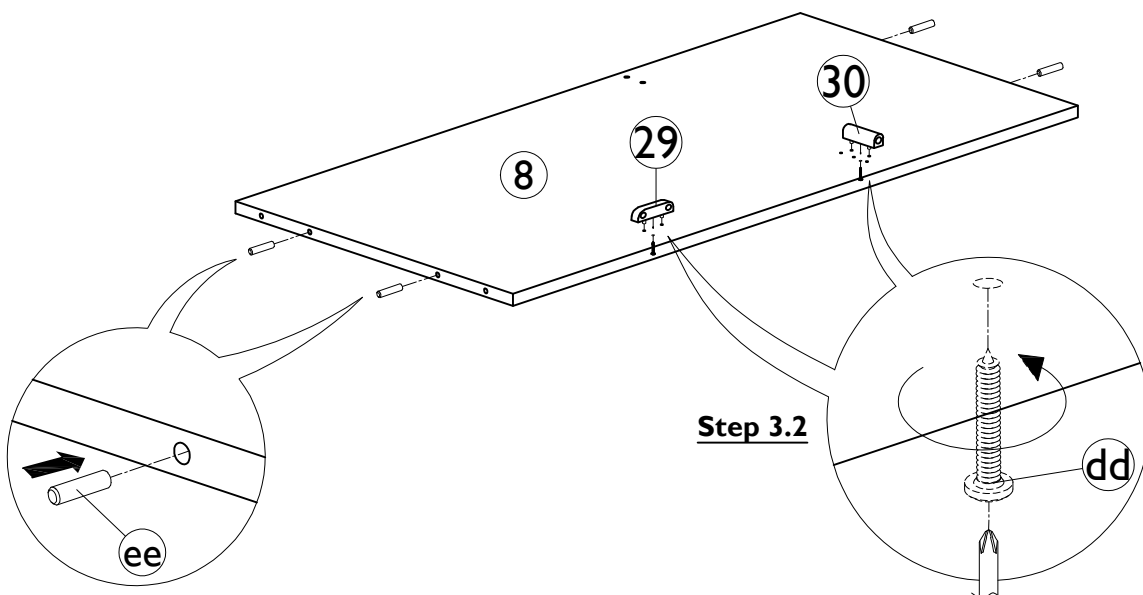


ee x 4

Step 3.1



Step 3.2



Step By Step Assembly Instructions

- Step 4**
- 4.1: Attach rails (11), (12), (13), (14) and fixed shelf (8) to left side panel (1) as shown. Ensure cam screws (A), dowels (ee) and dowels (Y) are aligned correctly with the holes of mating parts before attaching.
- 4.2: Secure all parts (11), (12), (13) and (14) to left side panel (1) using 5x cam locks (B) as shown. Use a pozi screwdriver to turn fittings (B) clockwise to fix.
- 4.3: Secure part (8) to left side panel (1) using 2x cam locks (kk) as shown. Use a pozi screwdriver to turn fittings (kk) clockwise to fix.

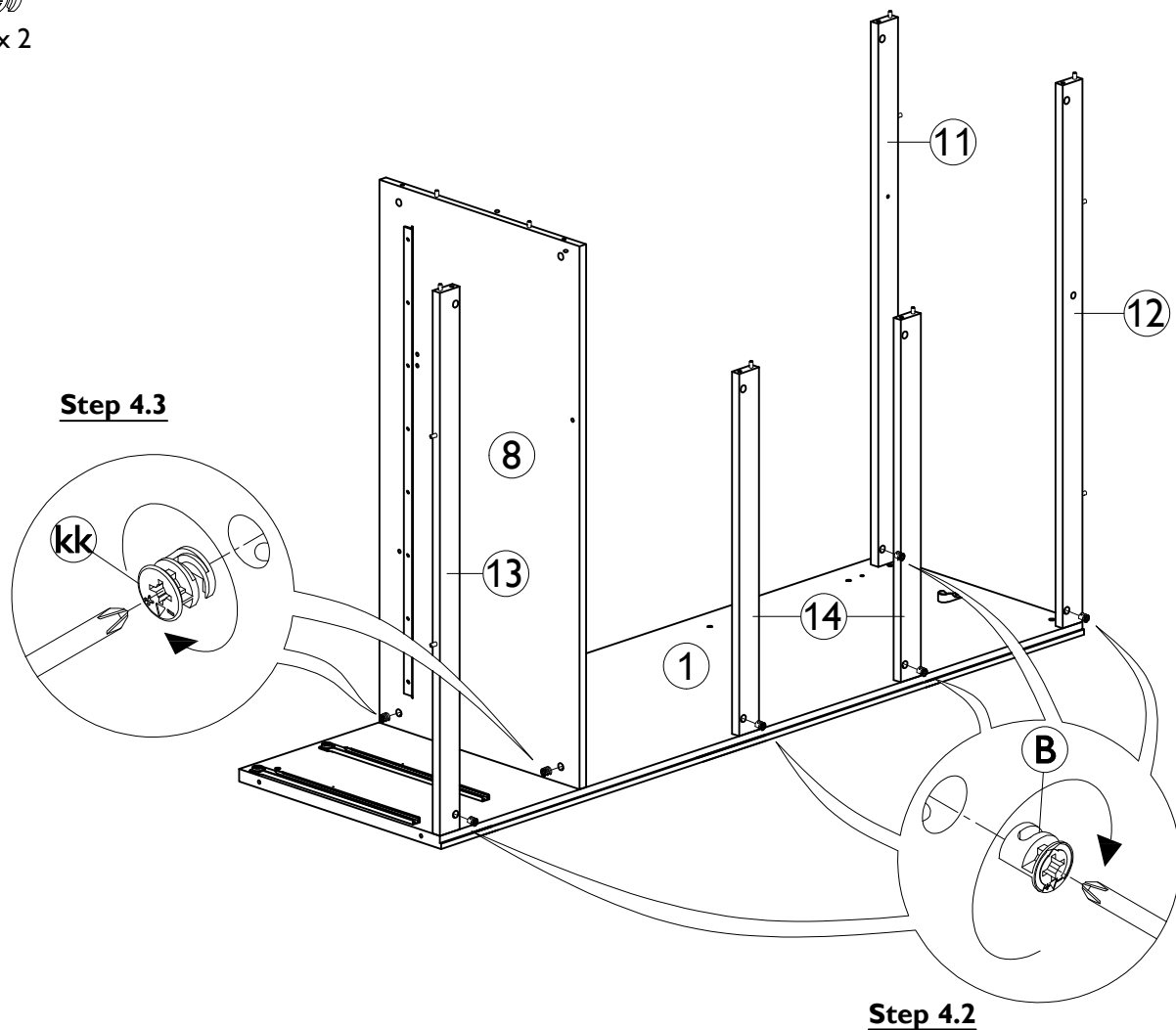
Fitting



B x 5



kk x 2



Step By Step Assembly Instructions

Step 5

- 5.1: Attach rail (9) to rail (11) and fixed shelf (8) as shown. Ensure dowels (Y) is aligned correctly with the hole of mating parts before attaching.
- 5.2: Secure rail (9) to all parts (8), (11) using 1x conformat screw (H), 1x round head screw (hh) as shown. Use Allen key (K), screwdriver to turn fittings (H), (hh) clockwise to fix.
- 5.3: Attach rail (10) to rails (12), (14) and fixed shelf (8) as shown. Ensure cam screws (A) and dowels (Y) are aligned correctly with the holes of mating parts before attaching.
- 5.4: Secure rail (10) to rails (14) using 2x cam locks (B) and to parts (8), (12) using 2x conformat screws (H) as shown. Use a screwdriver to turn fittings (B) and Allen key (K) to turn fittings (H) clockwise to fix.

Fitting



B x 2



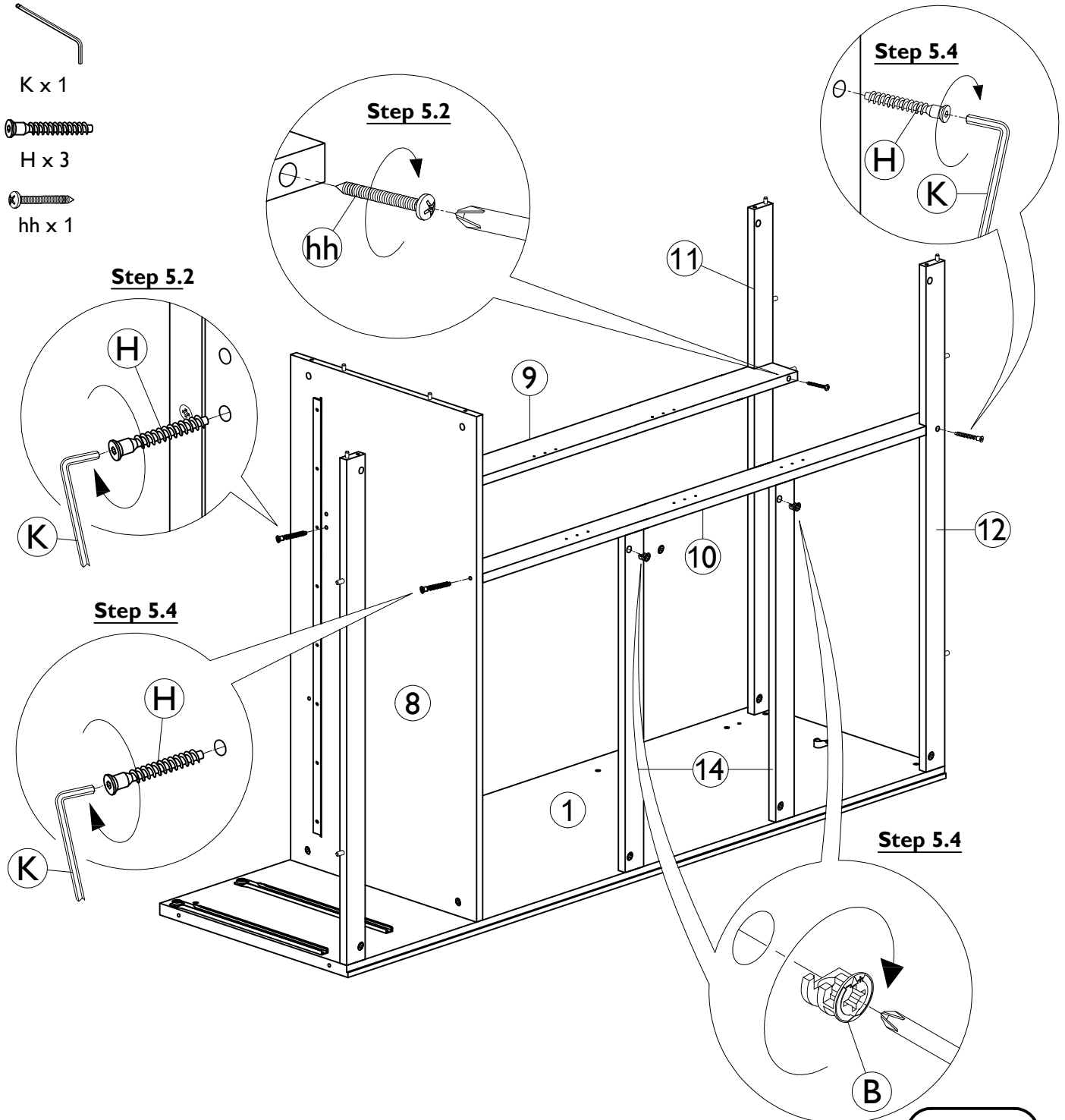
K x 1



H x 3



hh x 1



Step By Step Assembly Instructions

- Step 6**
- 6.1: Attach right side panel (2) onto rails (11), (12), (13) and fixed shelf (8) as shown. Ensure cam screws (A), dowels (Y) and dowels (ee) are aligned correctly with the holes of mating parts before attaching.
- 6.2: Secure right side panel (2) to all parts (11), (12) and (13) using 3x cam locks (B) as shown. Use a pozi screwdriver to turn fittings (B) clockwise to fix.
- 6.3: Secure right side panel (2) to parts (8) using 2x cam locks (kk) as shown. Use a pozi screwdriver to turn fittings (kk) clockwise to fix.

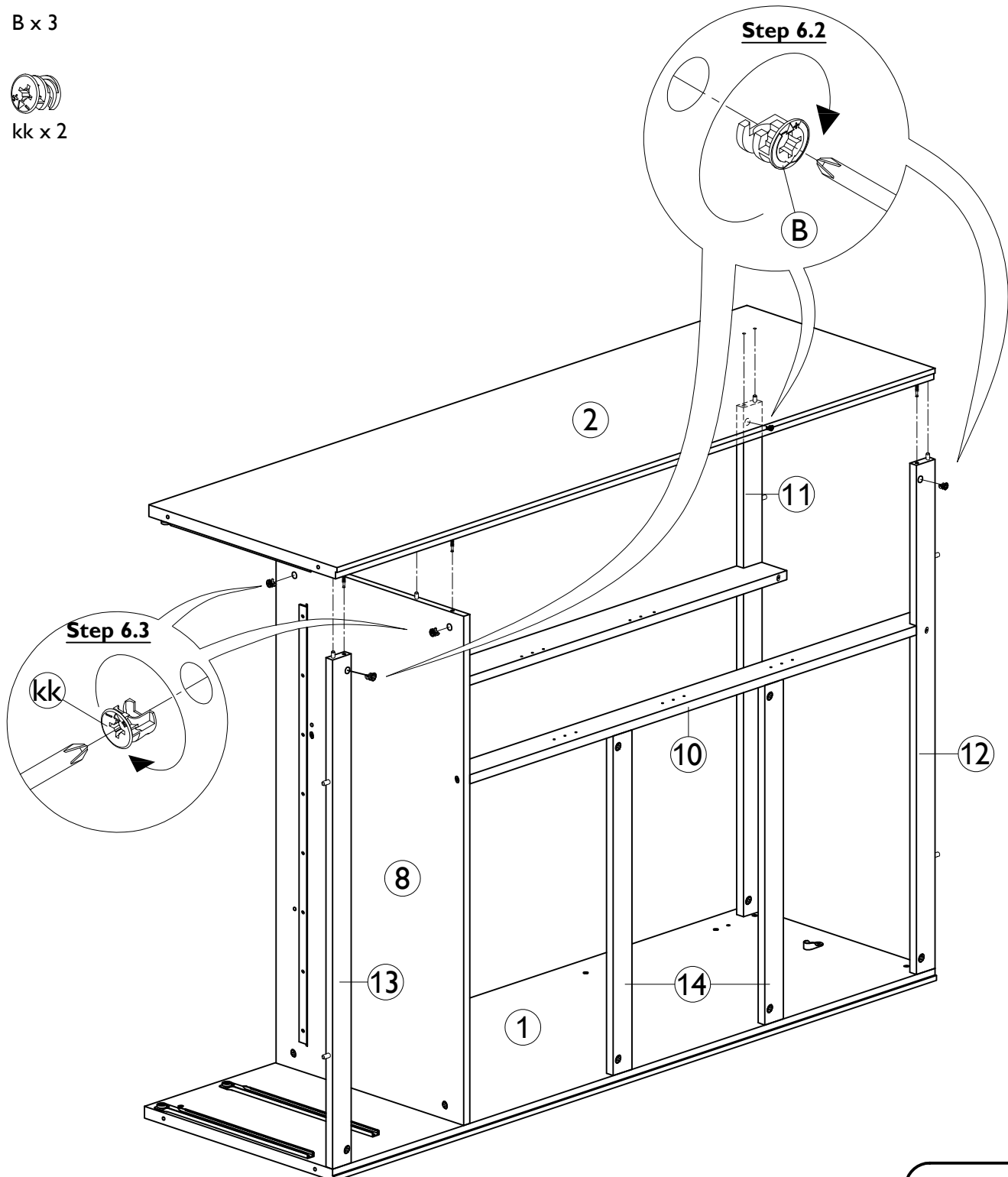
Fitting



B x 3



kk x 2



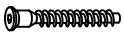
Step By Step Assembly Instructions

- Step 7** 7.1: Attach top panel (6) onto side panels (1), (2), vertical rails (9), (10) & top rails (11), (12) as shown. Ensure steel dowels (C), dowels (Y) are aligned correctly with the holes of mating parts before attaching.
- 7.2: Secure top panel (6) to all parts (1), (2), (9), (10), (11) and (12) using 4x grub screws (E) and 7x conformat screws (H) as shown. Use a allen key (K) to turn fittings (E) and allen key (K) to turn fittings (H) clockwise to fix.

Fitting



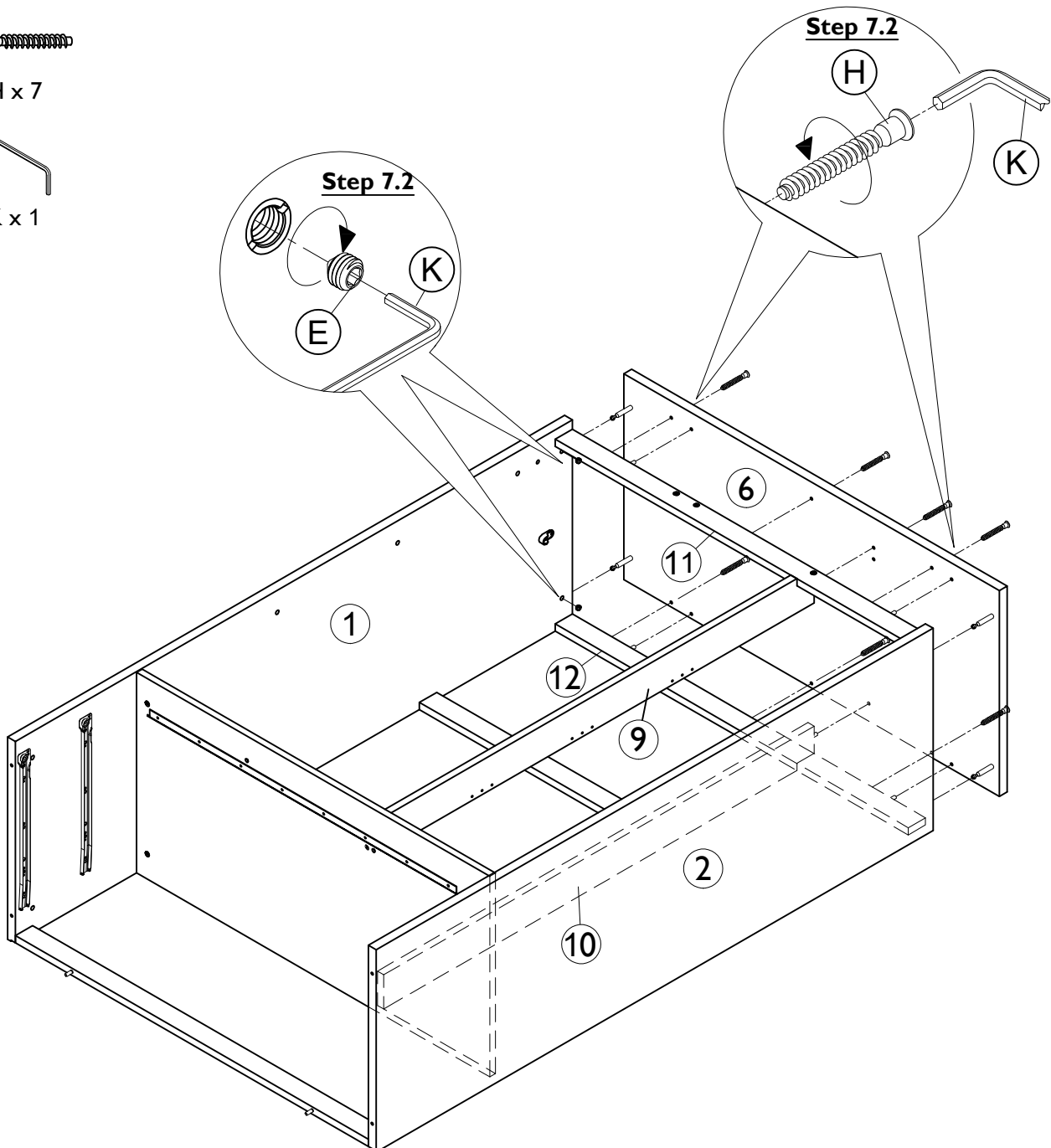
E x 4



H x 7



K x 1



Step By Step Assembly Instructions

- Step 8** 8.1: Attach bottom panel (7) onto side panels (1) & (2) as shown. Ensure steel dowels (D) are aligned correctly with the holes of mating parts before attaching.
- 8.2: Secure bottom panel (7) to all parts (1) & (2) using 4x grub screws (E) as shown. Use a allen key (K) to turn fittings (E) clockwise to fix.

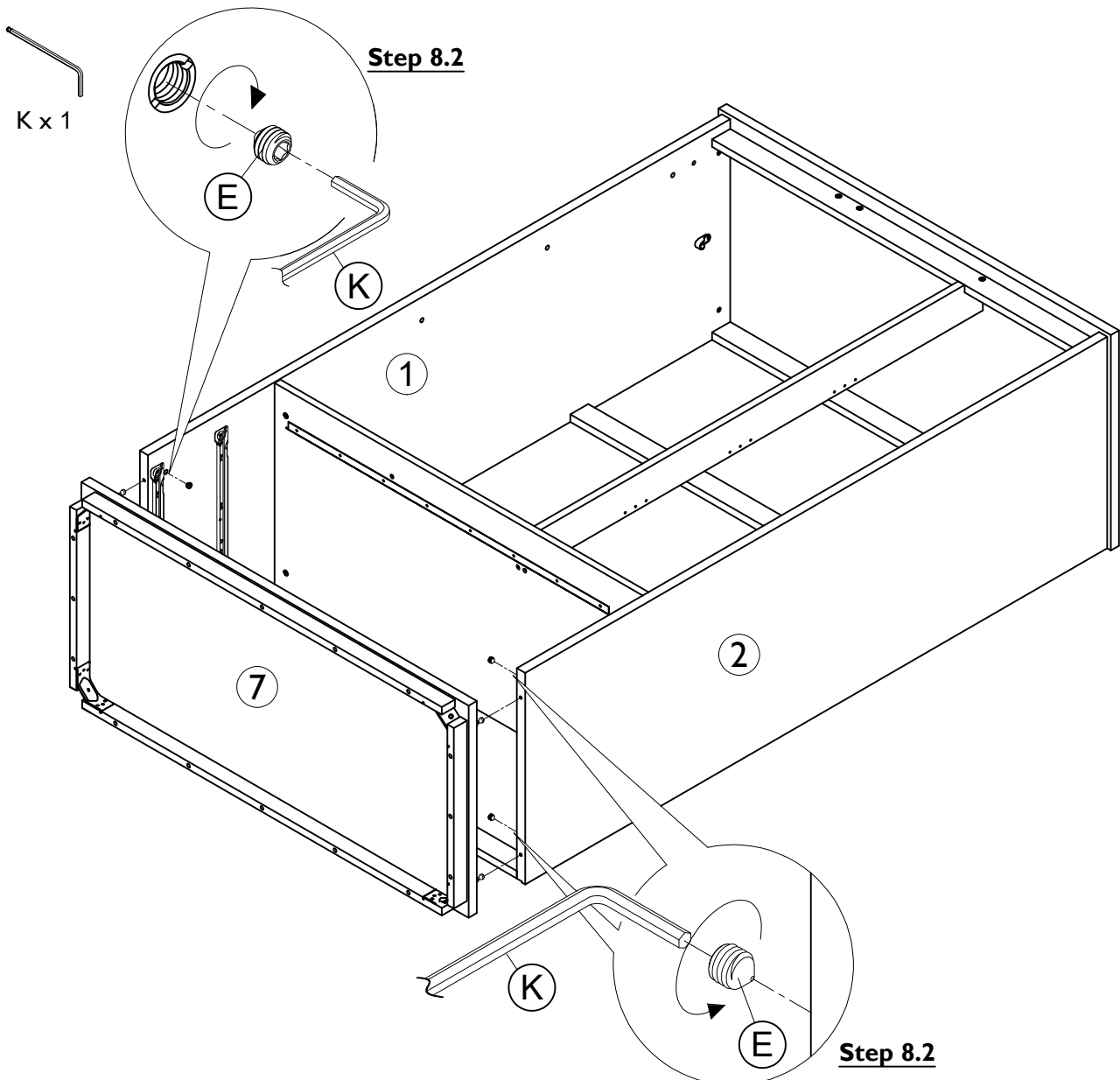
Fitting



E x 4



K x 1

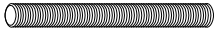


Step By Step Assembly Instructions

Step 9

- 9.1: Insert cross dowel (S) into the hole on top of each leg (27) as shown. Ensure the horizontal marking on each cross dowel is facing out as shown.
- 9.2: Insert threaded bolt (R) into the hole on each leg (27). Tighten threaded bolt (R) into the hole of cross dowel (S) that is already concealed in each leg (27) as shown.
- 9.3: Attach 2x leg (27) onto bottom panel (7) by inserting bolt (R) into the pre-drilled holes of metal corner bracket as shown. Insert flat washer (V), lock washer (U) and hex nut (T) onto threaded bolt (R) on leg (27) and in order as shown. (T) followed by (U), (U) followed by (V). Tighten hex nut (T) using spanner (jj) as shown.
- 9.4: Lift up the bottom panel (7) of unit as shown.
- 9.5: Attach 2x leg (27) onto bottom panel (7) by inserting bolt (R) into the pre-drilled holes of metal corner bracket as shown. Insert flat washer (V), lock washer (U) and hex nut (T) onto threaded bolt (R) on leg (27) and in order as shown. (T) followed by (U), (U) followed by (V). Tighten hex nut (T) using spanner (jj) as shown.
- 9.6: With help of assistant, carefully stand the unit upright.

Fitting



R x 4



S x 4



T x 4



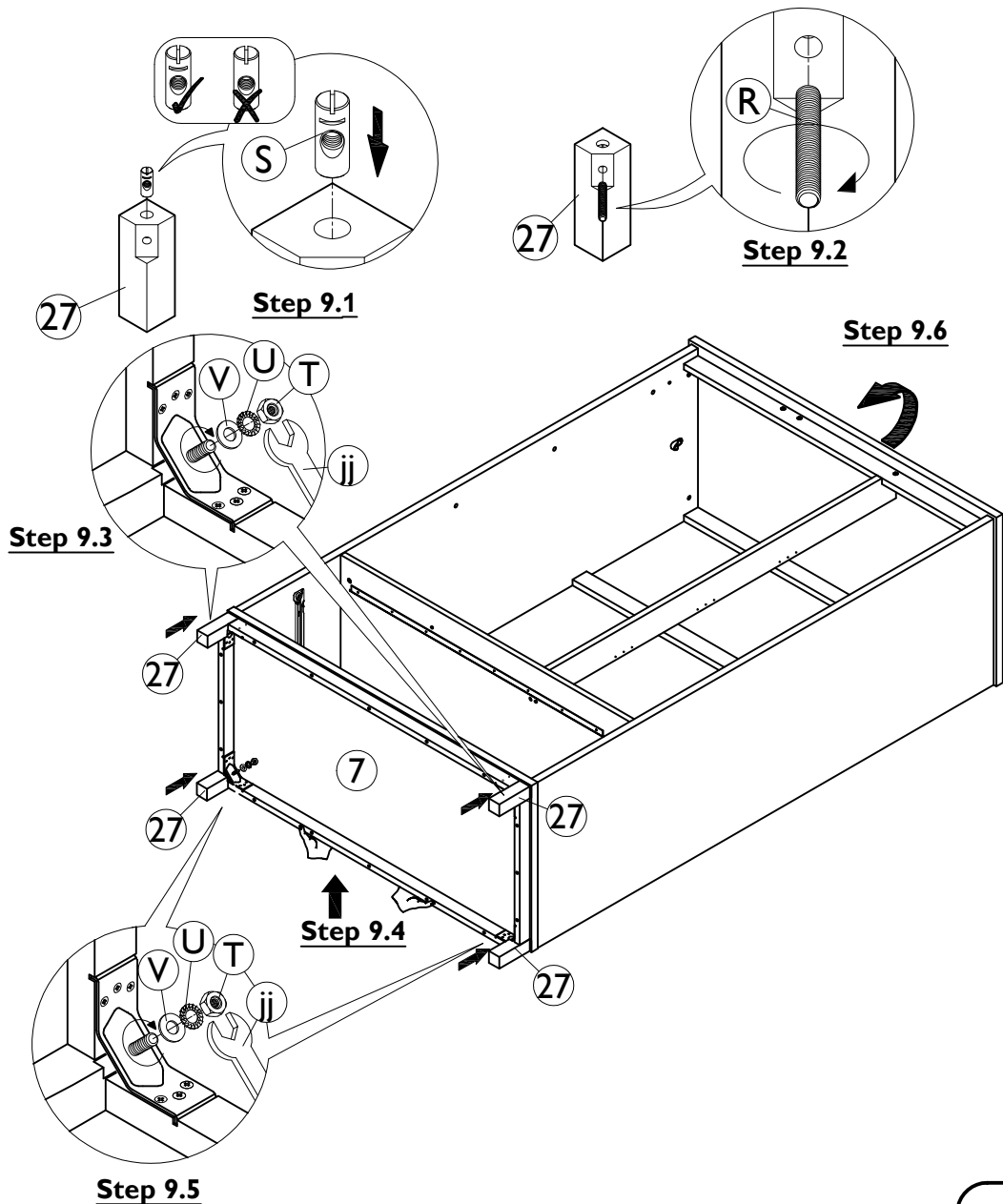
U x 4



V x 4



jj x 1



Step By Step Assembly Instructions

- Step 10**
- 10.1 Attach back panels (22), (23), (24) and (25) along outer edges onto back side of the unit using 52x round head screws (N) as shown. Use a screwdriver to turn fittings (N) clockwise to fix.
- 10.2 Secure gaps using 14x small flat washers (P) as shown. Use a screwdriver to turn fittings (N) clockwise to fix.

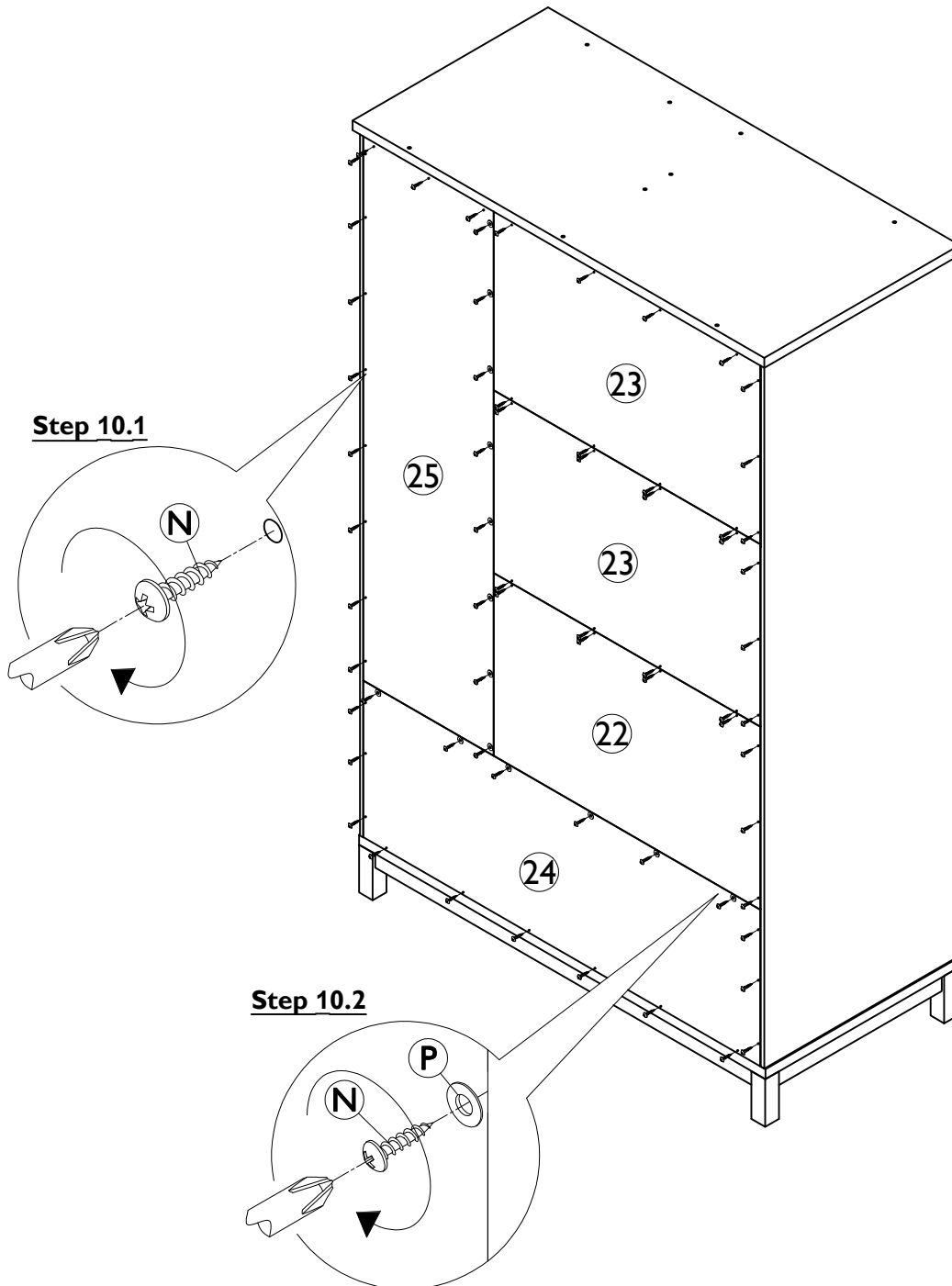
Fitting



N x 66



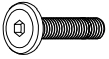
P x 14



Step By Step Assembly Instructions

- Step 11** 11.1: Insert cloth bar rail (28) through the pre-drilled hole on support rail (26), then place cloth bar rail (28) onto cloth bar supports (F) on left and right sides of unit as shown.
11.2: Secure support rail (26) to top panel (6) using 2x hex head bolts (gg) as shown. Use Allen key (K) to turn fittings (gg) clockwise to fix.

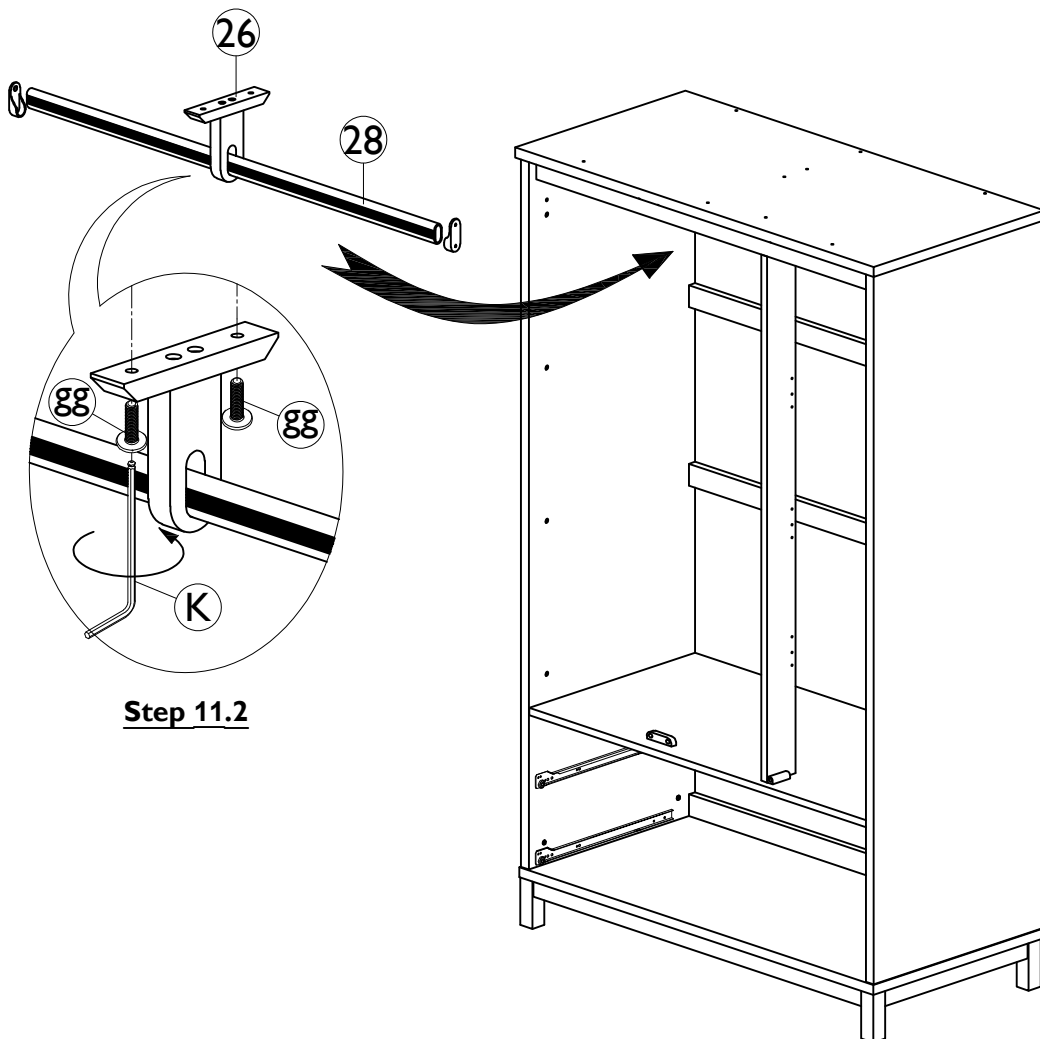
Fitting



gg x 2



K x 1



Step 11.2

Step By Step Assembly Instructions

Step 12 : Attach doors (3), (4) and (5) to side panels (1), (2) and vertical front rail (9) by screwing 12x bolts (J) into inset fittings that are located on parts (1), (2) and (9) as shown. Ensure the holes on doors (3), (4) and (5) are aligned correctly with the mating spring pin on side panels (1) & (2) and vertical front rail (9) before attaching. Using allen key (K) to turn fittings (J) clockwise to fix.

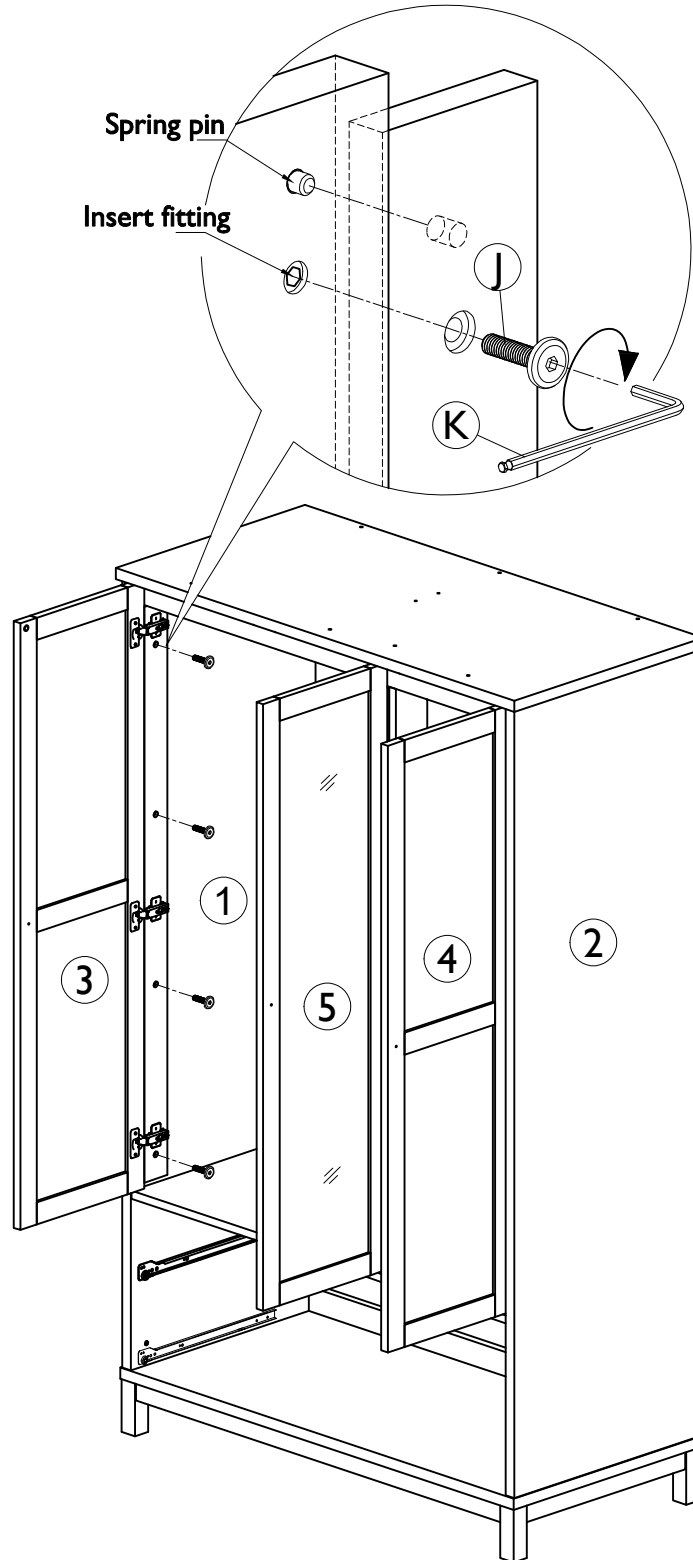
Fitting



J x 12



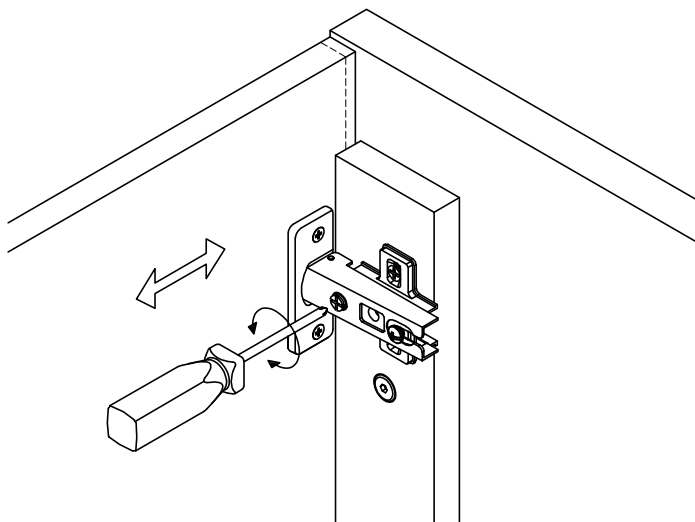
K x 1



HINGE ADJUSTMENT INSTRUCTIONS

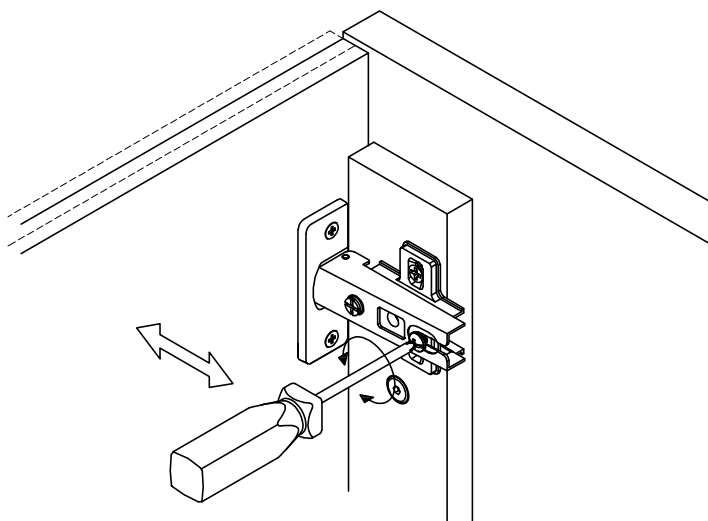
LATERAL ADJUSTMENT

by screw adjustment.



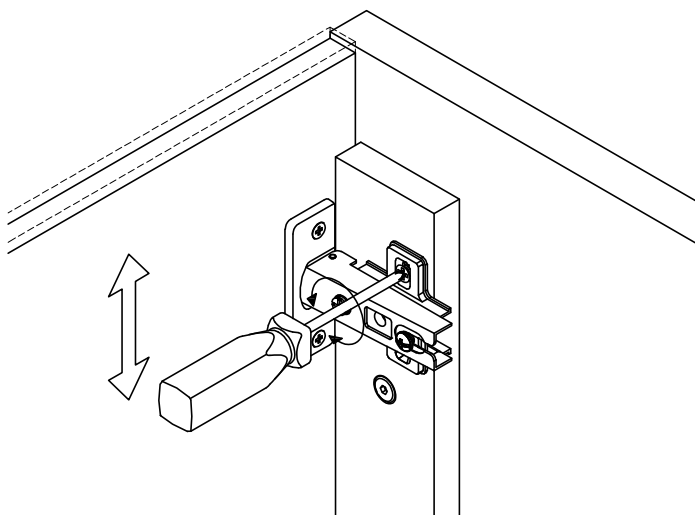
FRONT-TO-BACK

by slackening and retightening the hinge-arm mounting screw.



VERTICAL ADJUSTMENT

via slots on mounting plate by slackening and retightening the screws on mounting plate



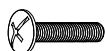
Step By Step Assembly Instructions

Step 13 13.1 Attach 3x handles (L) to door (3), (4) & (5) using 3x round head bolts (M) as shown. Use a screwdriver to turn fittings (M) clockwise to fix.

Fitting

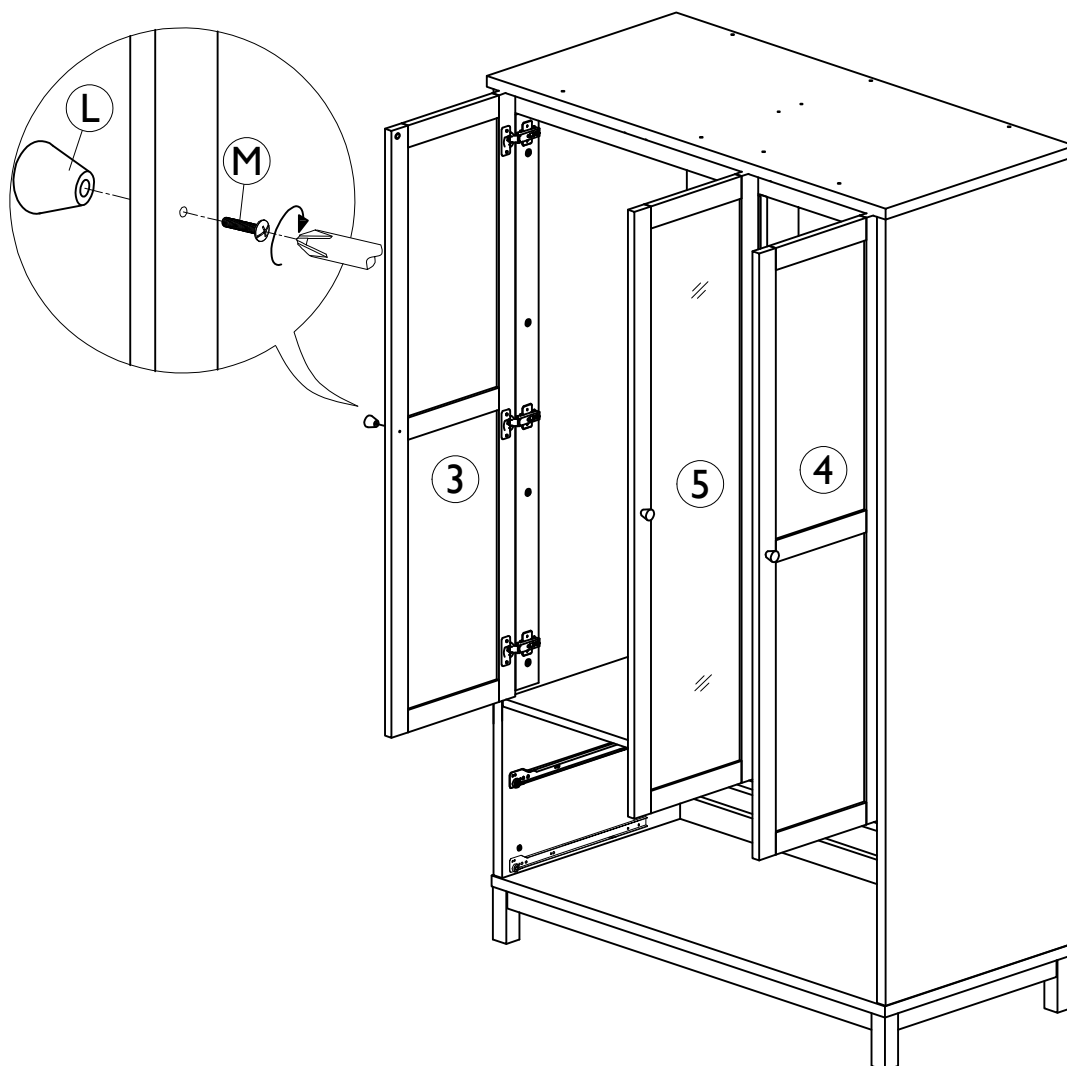


L x 3



M x 3

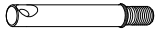
Step 13.1



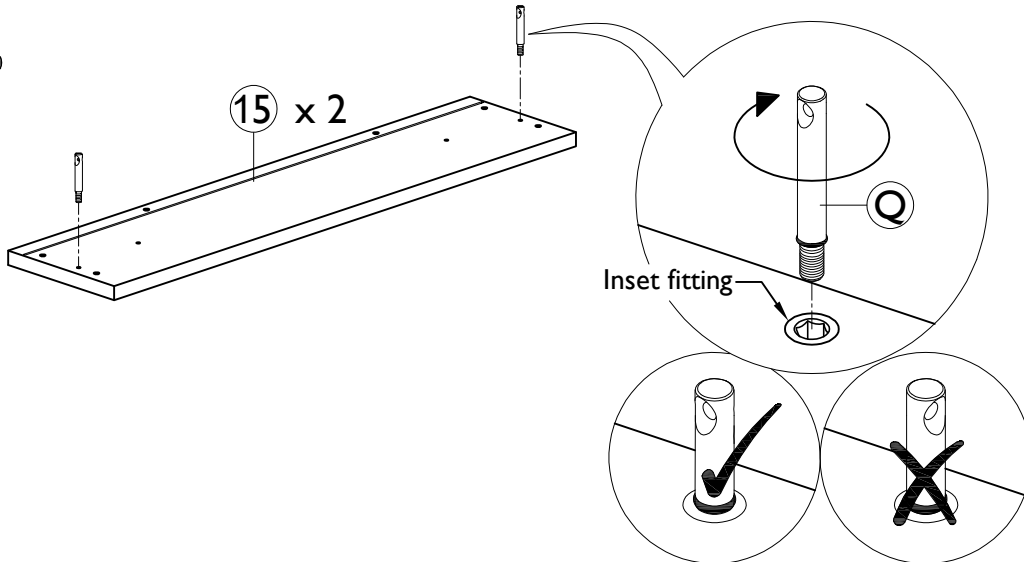
Step By Step Assembly Instructions

Step 14 : Attach 4x steel dowels (Q) by screwing fittings (Q) into the inset fittings that are located inside drawer fronts (15) as shown. Ensure the direction of the holes on fittings (Q) are facing correctly as per diagram.

Fitting



Q x 4

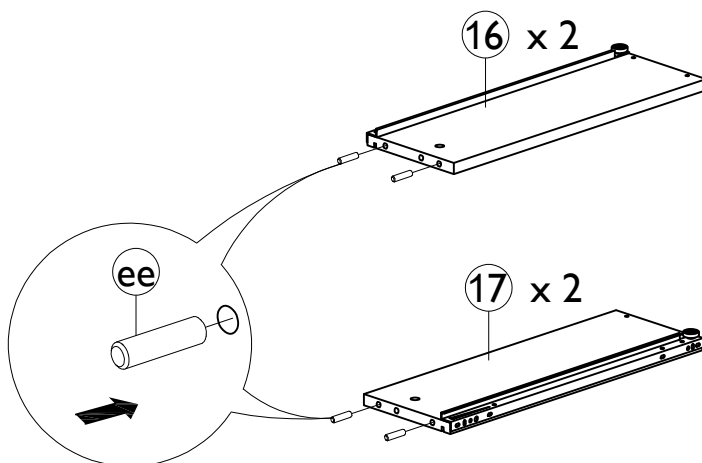


Step 15 : Insert 8x dowels (ee) into the pre-drilled holes on drawer sides (16), (17), as shown.

Fitting



ee x 8



Step By Step Assembly Instructions

Step 16

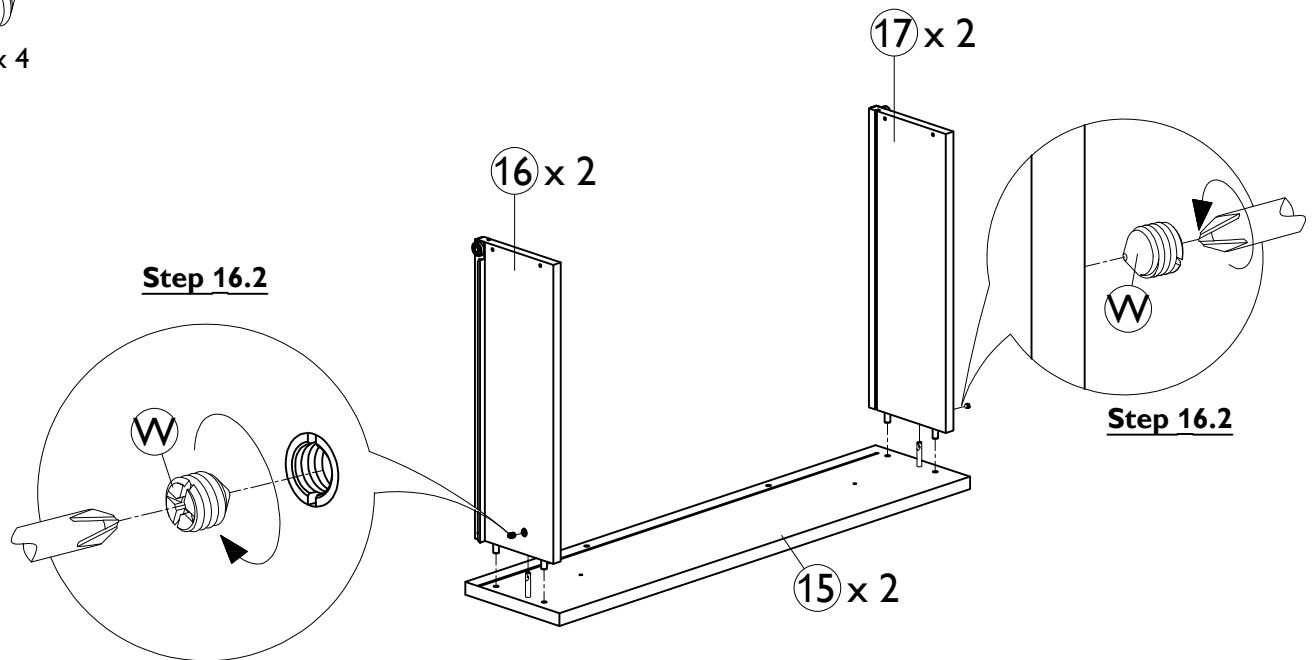
16.1 : Attach drawer sides (16) & (17) to drawer fronts (15) as shown. Ensure steel dowels (Q) and dowels (ee) are aligned correctly with the holes of mating parts before attaching.

16.2 : Secure drawer sides (16) & (17) to drawer fronts (15) using 4x grub screws (W) as shown. Use a pozi screwdriver to turn fittings (W) clockwise to fix.

Fitting



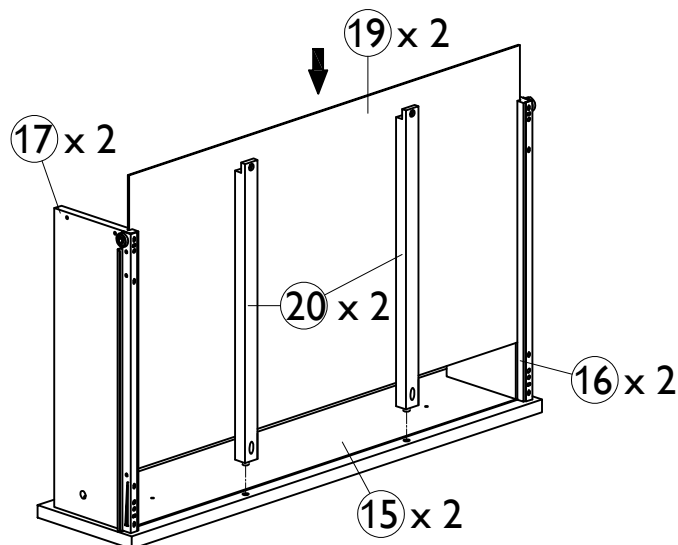
W x 4



Step 17

17.1 : Slide drawer bottoms (19) into the slots inside drawer sides (16) & (17) as shown. Ensure the drawer bottoms (19) are placed completely in the slots of drawer fronts (15).

17.2 : Attach support drawers (20) onto drawer fronts (15) as shown.



Step By Step Assembly Instructions

Step 18

- 18.1: Place drawer backs (18) onto the top of constructed drawer boxes. Ensure the slots under backs (18) are aligned correctly with drawer bottoms (19) before attaching.
- 18.2: Secure drawer backs (18) to the drawer boxes using 8x round head screws (Z) as shown. Use a screwdriver to turn fittings (Z) clockwise to fix.
- 18.3: Secure support drawers (20) to drawer backs (18), drawer fronts (15) using 4x round head screws for each (dd) and (ff) as shown. Use a screwdriver to turn fittings (dd) and (ff) clockwise to fix.

Fitting



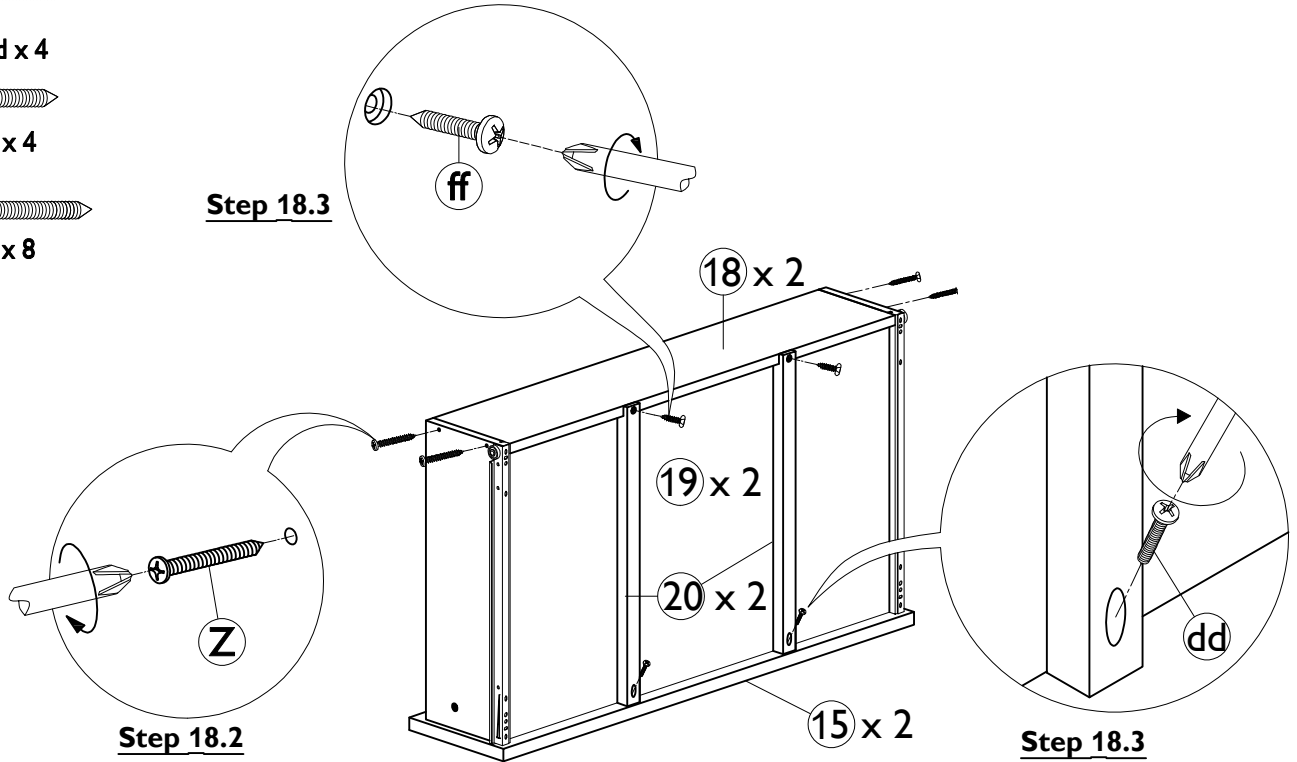
dd x 4



ff x 4



Z x 8



Step 19

- : Attach 4x handles (L) to drawer fronts (15) using 4x round head bolts (M) as shown. Use a screwdriver to turn fittings (M) clockwise to fix.

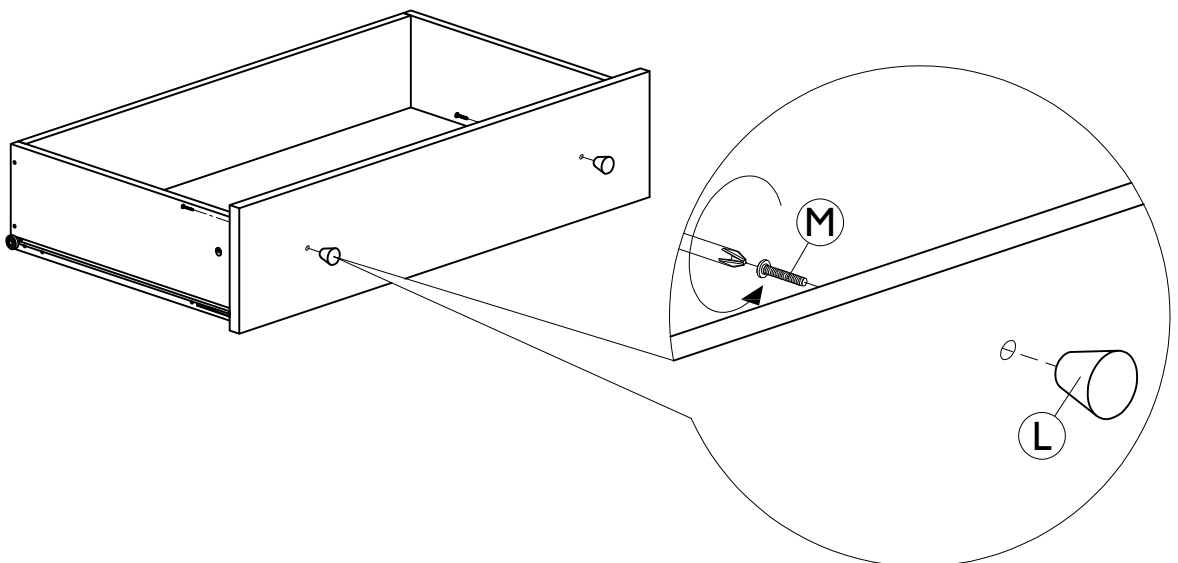
Fitting



L x 4



M x 4



Step By Step Assembly Instructions

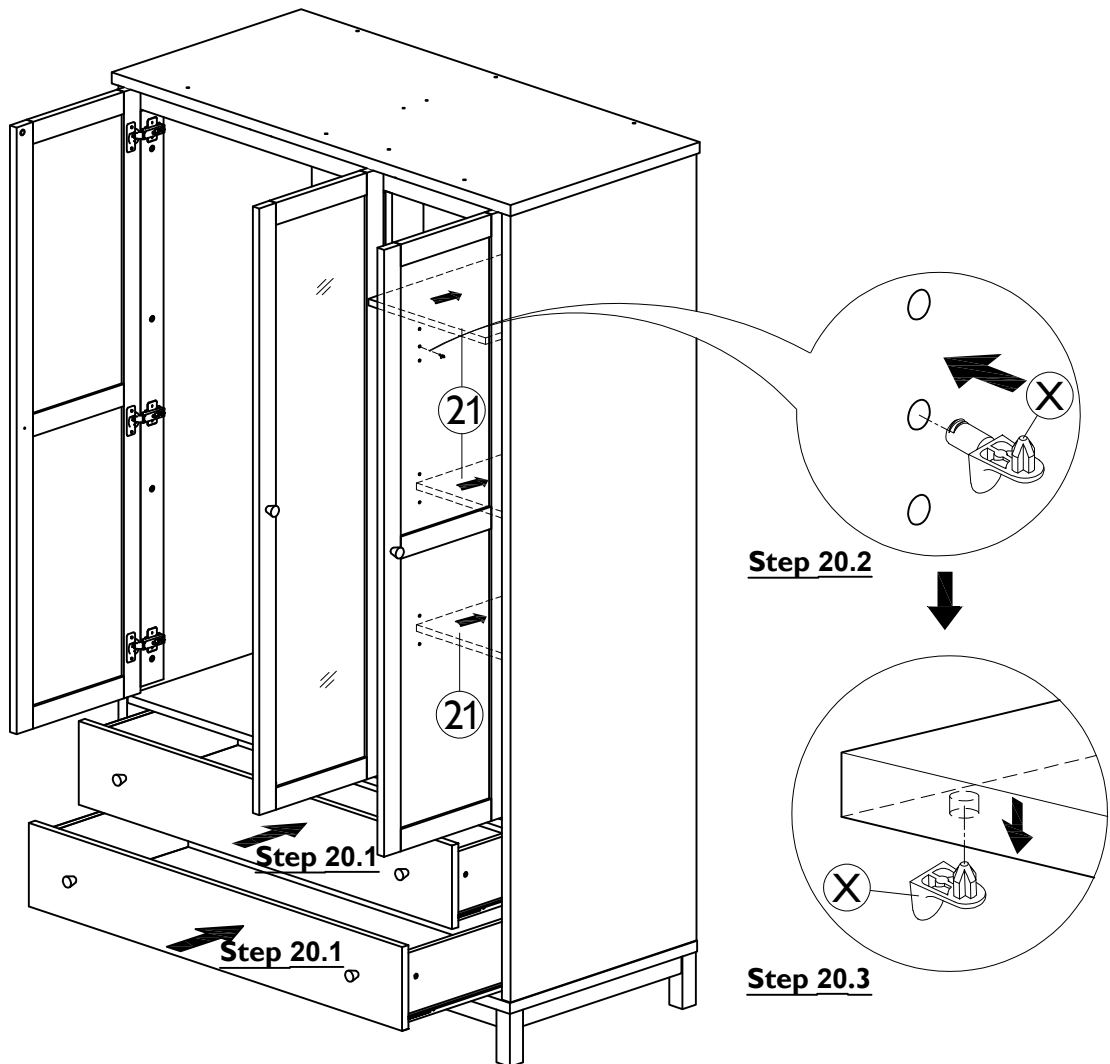
Step 20

- 20.1: Insert the assembled drawers into the unit as shown.
- 20.2: Insert 12x wood shelf supports (X) into the pre-drilled holes inside the unit as shown.
- 20.3: Slide removable shelves (21) into the unit. Ensure the holes on removable shelves (21) are facing down, then place removable shelves (21) onto the pins of wood shelf supports (X) as shown.

Fitting



X x 12



Assembly is complete

Care and Maintenance

Wood Furniture

Wood displays different grain patterns depending on which way they are cut - for example, the 'medullary ray' which can appear on oak furniture is a mark of good quality timber - these are just characteristics of the natural beauty of the wood.

Some furniture is also deliberately aged and rustic.

Wood veneers also allow distinctive patterns to be created on some surfaces, such as table tops and drawer fronts by the way slivers are arranged.

All timber and veneer surfaces will change colour and mellow over time. New furniture will initially vary in shade from items that have been previously purchased.

How to care for your wood furniture

Dust with a clean, damp, lint free cloth. Frequent dusting will remove abrasive build up, which can damage the finish over time.

Do not use a very wet cloth or allow any liquid to contact with the veneers for a long period of time as this can permanently damage the surface. Wipe up spills immediately.

Do not use any abrasive cleaner or harsh detergent as this can damage the surface of the furniture.

Spray polishes are best avoided as they contain silicones which may spoil the furniture's surface when building up over time.

Make sure all surfaces are protected from heat and liquids by mats and coasters.

Ensure that a mat or pad is placed under paper when you are writing on the furniture surface.

Do not place rubber, cork, vinyl or plastic materials on the wood finish as chemicals within may react with the finish if left in contact for an extended period of time.

Our furniture will endure most temperatures in the home but it is best to avoid placing furniture next to heat sources such as radiators or fires. Be particularly careful with solid wood as the lack of humidity caused by home heating can cause damage such as warping, cracking or splitting.

Excessive exposure to sunlight can cause fading of your furniture.

Avoid exposing your furniture to any liquids. All liquids should be wiped up immediately with a soft, slightly damp cloth in the direction of the wood grain. If sticky liquid residues do occur, they may be removed with a dilute solution of warm soapy water followed by a clean, damp sponge. The area should then be wiped immediately in the direction of the wood grain with a clean, soft white cloth until completely dry.

Nail polish remover, hairspray, perfume, potpourri & any other products that contains solvents can damage wood upholstery finishes.

Safety Instructions:

Never drag furniture when moving it. Always lift it.

Periodically check all fixings to ensure none have come loose. Re-tighten when necessary.

Please take care when handling or moving the furniture as careless handling may cause damage or injury.

Furniture can be dangerous if incorrectly assembled. Assembly should be carried out by a competent person.

No liability will be accepted for damage or injury caused by incorrectly installed or assembled furniture.

Heavy item warning:

It is recommended to seek assistance when moving a heavy object. Take care when lifting to avoid personal injury and (or) damage to the product.

It is recommended that before moving a heavy object to a new location it is completely dis-assembled to avoid personal injury or damage to the furniture. Please be careful to retain all fittings when doing this.

Mirror warning:

Use glass cleaner or soapy water for cleaning. Do not use anything abrasive as this may damage the surface of the product.

PLEASE KEEP THESE INSTRUCTIONS FOR FUTURE REFERENCE